

## TPS62184 4-V to 17-V, 6-A, 2-Phase Step-Down Converter with AEE™

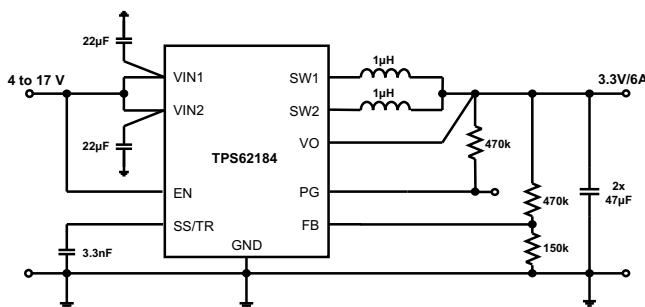
### 1 Features

- Dual Phase Balanced Peak Current Mode
- Input Voltage Range: 4 V to 17 V
- Output Voltage:
  - $0.9\text{ V} \leq \text{VOUT} \leq 1.8\text{ V}$  (6A),
  - $1.8\text{ V} \leq \text{VOUT} \leq 2.5\text{ V}$  (5.5A)
  - $2.5\text{ V} \leq \text{VOUT} \leq 3.5\text{ V}$  (5A)
- Typical Quiescent Current of 28  $\mu\text{A}$
- Output Voltage Accuracy of  $\pm 1\%$  (PWM Mode)
- Automatic Efficiency Enhancement (AEE™)
- Phase Shifted Operation
- Automatic Power Save Mode
- Adjustable Soft Start
- Power Good Output
- Undervoltage Lockout
- HICCUP Over Current Protection
- Over Temperature Protection
- Pin to Pin Compatible with TPS62180/2
- NanoFree™ 2.10 mm x 3.10 mm DSBGA Package

### 2 Applications

- Low Profile POL Supply
- NVDC Powered Systems
- Dual/Triple Cell Li-ion Battery
- Ultra Portable/Embedded/Tablet PC
- Computing Network Solutions
- Micro Server, SSD

### 4 Simplified Schematic



### 3 Description

The TPS62184 is a synchronous dual-phase step-down DC-DC converter for low profile power rails. It operates with two identical, current balanced phases that are peak current controlled enabling use in height limited applications.

With a wide operating input voltage range of 4 V to 17 V, the device is ideally suited for systems powered from multi-cell Li-Ion batteries or 12-V rails. The output current of 6 A is continuously provided by two phases of 3 A each, allowing the use of low profile external components. The phases operate out of phase, reducing switching noise significantly.

The TPS62184 automatically enters Power Save Mode to maintain high efficiency down to very light loads. It also incorporates an Automatic Efficiency Enhancement (AEE™) for the entire duty cycle range.

The device features a Power Good signal, as well as an adjustable soft start. The quiescent current is typically 28  $\mu\text{A}$ , it is able to run in 100% mode, and it has no duty cycle limitation even at lowest output voltage.

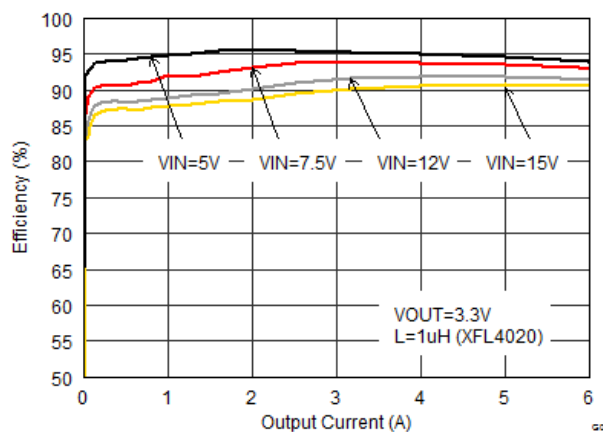
The TPS62184 is packaged in a small 24-bump, 0.5 mm pitch DSBGA package.

#### Device Information<sup>(1)</sup>

PART NUMBER	PACKAGE	BODY SIZE (NOM)
TPS62184	DSBGA (24)	2.10 mm x 3.10 mm

(1) For all available packages, see the orderable addendum at the end of the datasheet.

#### Efficiency vs Output Current



## Table of Contents

<b>1</b>	<b>Features</b> .....	<b>1</b>	8.3	Feature Description .....	<b>8</b>
<b>2</b>	<b>Applications</b> .....	<b>1</b>	8.4	Device Functional Modes .....	<b>8</b>
<b>3</b>	<b>Description</b> .....	<b>1</b>	<b>9</b>	<b>Application and Implementation</b> .....	<b>13</b>
<b>4</b>	<b>Simplified Schematic</b> .....	<b>1</b>	9.1	Application Information .....	<b>13</b>
<b>5</b>	<b>Revision History</b> .....	<b>2</b>	9.2	Typical Applications .....	<b>13</b>
<b>6</b>	<b>Pin Configuration and Functions</b> .....	<b>3</b>	9.3	System Examples .....	<b>22</b>
<b>7</b>	<b>Specifications</b> .....	<b>4</b>	<b>10</b>	<b>Power Supply Recommendations</b> .....	<b>24</b>
7.1	Absolute Maximum Ratings .....	<b>4</b>	<b>11</b>	<b>Layout</b> .....	<b>25</b>
7.2	ESD Ratings .....	<b>4</b>	11.1	Layout Guidelines .....	<b>25</b>
7.3	Recommended Operating Conditions .....	<b>4</b>	11.2	Layout Example .....	<b>25</b>
7.4	Thermal Information .....	<b>4</b>	<b>12</b>	<b>Device and Documentation Support</b> .....	<b>26</b>
7.5	Electrical Characteristics .....	<b>5</b>	12.1	Device Support .....	<b>26</b>
7.6	Typical Characteristics .....	<b>6</b>	12.2	Trademarks .....	<b>26</b>
<b>8</b>	<b>Detailed Description</b> .....	<b>7</b>	12.3	Electrostatic Discharge Caution .....	<b>26</b>
8.1	Overview .....	<b>7</b>	12.4	Glossary .....	<b>26</b>
8.2	Functional Block Diagram .....	<b>7</b>	<b>13</b>	<b>Mechanical, Packaging, and Orderable Information</b> .....	<b>26</b>

## 5 Revision History

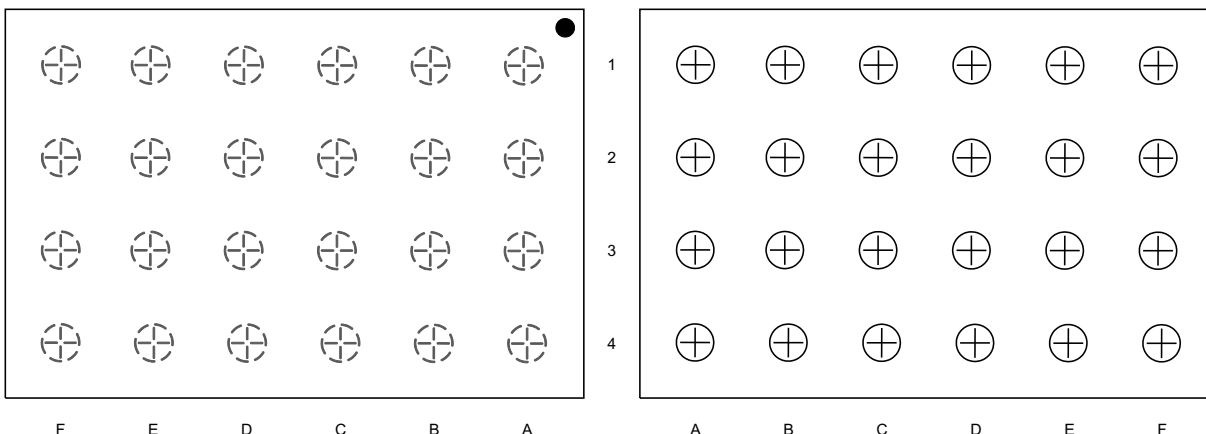
### Changes from Original (December 2014) to Revision A

**Page**

- Published full Production Data sheet to include *Specification* tables, *Feature Description* section, *Device Functional Modes*, *Application and Implementation* section, *Power Supply Recommendations* section, *Layout* section, *Device and Documentation Support* section, and *Mechanical, Packaging, and Orderable Information* section ..... **4**

## 6 Pin Configuration and Functions

24-Pin DSBGA  
YZF Package  
(Top View - Left, Bottom View - Right)



### Pin Functions

PIN <sup>(1)</sup>		DESCRIPTION
NAME	NUMBER	
AGND	C4	Analog Ground. Connect on PCB directly with PGND.
EN	E4	Enable input (High = enabled, Low = disabled)
FB	B4	Output voltage feedback. Connect resistive voltage divider to this pin and AGND. On TPS62182, connect to AGND.
PG	F4	Output power good (High = VOUT ready, Low = VOUT below nominal regulation); open drain (requires pull-up resistor)
PGND	A3, B3, C3, D3, E3, F3	Common power ground.
SS/TR	D4	Soft-Start and Tracking Pin. An external capacitor connected to this pin sets the internal voltage reference rise time.
SW1	A2, B2, C2	Switch node for Phase 1 (master), connected to the internal MOSFET switches. Connect inductor 1 between SW1 and output capacitor.
SW2	D2, E2, F2	Switch node for Phase 2 (follower), connected to the internal MOSFET switches. Connect inductor 2 between SW2 and output capacitor.
VIN1	A1, B1, C1	Supply voltage for Phase 1.
VIN2	D1, E1, F1	Supply voltage for Phase 2.
VO	A4	Output Voltage Connection

(1) For more information about connecting pins, see [Detailed Description](#) and [Application Information](#) sections.

## 7 Specifications

### 7.1 Absolute Maximum Ratings<sup>(1)</sup>

Over operating junction temperature range (unless otherwise noted)

		MIN	MAX	UNIT
Pin voltage range <sup>(2)</sup>	VIN1, VIN2	-0.3	20	V
	EN, PG, SW1, SW2	-0.3	$V_{IN} + 0.3$	V
	SS/TR	-0.3	$V_{IN} + 0.3$ , but $\leq 7$	V
	FB, VO	-0.3	7	V
Power good sink current	PG		10	mA
Operating junction temperature, $T_J$		-40	150	°C
Storage temperature, $T_{stg}$		-65	150	°C

- (1) Stresses beyond those listed under *Absolute Maximum Ratings* may cause permanent damage to the device. These are stress ratings only, which do not imply functional operation of the device at these or any other conditions beyond those indicated under *Recommended Operating Conditions*. Exposure to absolute-maximum-rated conditions for extended periods may affect device reliability.
- (2) All voltages are with respect to network ground pin.

### 7.2 ESD Ratings

		VALUE	UNIT
$V_{ESD}$ <sup>(1)</sup>	Human Body Model (HBM) ESD stress voltage <sup>(2)</sup>	±1000	V
	Charge device model (CDM) ESD stress voltage	±500	

- (1) Electrostatic discharge (ESD) to measure device sensitivity and immunity to damage caused by assembly line electrostatic discharges in to the device.
- (2) Level listed above is the passing level per ANSI, ESDA, and JEDEC JS-001. JEDEC document JEP155 states that 500-V HBM allows safe manufacturing with a standard ESD control process.

### 7.3 Recommended Operating Conditions

Over operating junction temperature range (unless otherwise noted)

		MIN	TYP	MAX	UNIT
Supply voltage range, $V_{IN}$		4		17	V
Output voltage range, $V_{OUT}$		0.9		3.5	V
Maximum Output current, $I_{OUT(max)}$	$0.9V \leq V_{OUT} \leq 1.8V$	6			A
	$1.8V \leq V_{OUT} \leq 2.5V$	5.5			A
	$2.5V \leq V_{OUT} \leq 3.5V$	5			A
Operating junction temperature, $T_J$		-40		125	°C

### 7.4 Thermal Information

THERMAL METRIC <sup>(1)</sup>		TPS62184	UNIT
		YZF (24 PINS)	
$R_{\theta JA}$	Junction-to-ambient thermal resistance	61.5	°C/W
$R_{\theta Jctop}$	Junction-to-case (top) thermal resistance	0.3	
$R_{\theta JB}$	Junction-to-board thermal resistance	10.1	
$\Psi_{JT}$	Junction-to-top characterization parameter	0.1	
$\Psi_{JB}$	Junction-to-board characterization parameter	10.1	
$R_{\theta Jcbot}$	Junction-to-case (bottom) thermal resistance	n/a	

- (1) For more information about traditional and new thermal metrics, see the *IC Package Thermal Metrics* application report, [SPRA953](http://www.ti.com/lit/zip/SPR953).

## 7.5 Electrical Characteristics

Over operating junction temperature range ( $T_J = -40^\circ\text{C}$  to  $+125^\circ\text{C}$ ) and  $V_{IN} = 4\text{ V}$  to  $17\text{ V}$ .  
Typical values at  $V_{IN} = 12\text{ V}$  and  $T_J = 25^\circ\text{C}$  (unless otherwise noted).

PARAMETER		TEST CONDITIONS	MIN	TYP	MAX	UNIT	
<b>SUPPLY</b>							
$V_{IN}$	Input voltage range		4		17	V	
$I_Q$	Operating quiescent current	EN = High, $I_{OUT} = 0\text{ mA}$ , Device not switching, ( $T_J = -40^\circ\text{C}$ to $+85^\circ\text{C}$ )		28	55	$\mu\text{A}$	
$I_{SD}$	Shutdown current	EN = Low ( $\leq 0.3\text{ V}$ ), ( $T_J = -40^\circ\text{C}$ to $+85^\circ\text{C}$ )		2.8	15	$\mu\text{A}$	
$V_{UVLO}$	Undervoltage lockout threshold <sup>(1)</sup>	Falling input voltage	3.5	3.6	3.7	V	
		Hysteresis		300		mV	
$T_{SD}$	Thermal shutdown	Rising junction temperature		160		$^\circ\text{C}$	
		Hysteresis		20			
<b>CONTROL (EN, SS/TR, PG)</b>							
$V_{H\_EN}$	High-level input threshold voltage (EN)		0.97	1	1.03	V	
$V_{L\_EN}$	Low-level input threshold voltage (EN)		0.87	0.9	0.93	V	
$I_{LKG\_EN}$	Input leakage current (EN)	EN = $V_{IN}$ or GND		0.01	1.2	$\mu\text{A}$	
$I_{SS/TR}$	SS/TR pin source current		4.5	5	5.5	$\mu\text{A}$	
$V_{TH\_PG}$	Power good threshold voltage	Rising ( $\%V_{OUT}$ )	94%	96%	98%		
		Falling ( $\%V_{OUT}$ )	90%	92%	94%		
$V_{OL\_PG}$	Power good output low voltage	$I_{PG} = -2\text{ mA}$			0.3	V	
$I_{LKG\_PG}$	Input leakage current (PG)			1	100	nA	
<b>POWER SWITCH</b>							
$R_{DS(ON)}$	High-side MOSFET ON-resistance	$V_{IN} = 7.5\text{ V}$	Phase 1		27	65	m $\Omega$
			Phase 2				
	Low-side MOSFET ON-resistance		Phase 1		21	45	m $\Omega$
			Phase 2				
$I_{LIM}$	High-side MOSFET current limit	Each phase, $V_{IN} = 7.5\text{ V}$	3.5	4.2	5.0	A	
$T_{PSD}$	Phase shift delay time	Phase 2 after Phase 1, PWM mode		250		ns	
<b>OUTPUT</b>							
$V_{REF}$	Internal reference voltage		0.792	0.8	0.808	V	
$I_{LKG\_FB}$	Input leakage current (FB)	$V_{FB} = 0.8\text{ V}$		1	100	nA	
$R_{DISCHARGE}$	Output discharge resistance	EN = Low		60		$\Omega$	
$V_{OUT}$	Output voltage range	$V_{IN} \geq V_{OUT}$	0.9		3.5	V	
		PWM Mode, $V_{IN} \geq V_{OUT} + 1\text{ V}$	-1%		1%		
	Feedback voltage accuracy <sup>(2)</sup>	Power Save Mode, $V_{OUT} = 3.3\text{ V}$ , $I_{load} \geq 1\text{ mA}$ , $L = 1\text{ }\mu\text{H}$ , $C_{OUT} = 2 \times 47\text{ }\mu\text{F}$ , ( $T_J = -40^\circ\text{C}$ to $+85^\circ\text{C}$ )	-1%		2%		
		Power Save Mode, $V_{OUT} = 1.8\text{ V}$ , $I_{load} \geq 1\text{ mA}$ , $L = 1\text{ }\mu\text{H}$ , $C_{OUT} = 4 \times 47\text{ }\mu\text{F}$ , ( $T_J = -40^\circ\text{C}$ to $+85^\circ\text{C}$ )					
		Power Save Mode, $V_{OUT} = 0.9\text{ V}$ , $I_{load} \geq 1\text{ mA}$ , $L = 1\text{ }\mu\text{H}$ , $C_{OUT} = 4 \times 47\text{ }\mu\text{F}$ , ( $T_J = -40^\circ\text{C}$ to $+85^\circ\text{C}$ )	-1%		3%		
	Load regulation	PWM Mode operation		0.06		%/A	
Line regulation	$4\text{ V} \leq V_{IN} \leq 17\text{ V}$ , $I_{OUT} = 4\text{ A}$		0.01		%/V		
$t_{HICCUP}$	Hiccup on time			0.9		ms	
	Hiccup off time			5			

(1) The minimum  $V_{IN}$  value of 4 V is not violated by UVLO threshold and hysteresis variations.

(2) The accuracy in Power Save Mode can be improved by increasing the output capacitor value, reducing the output voltage ripple.

## 7.6 Typical Characteristics

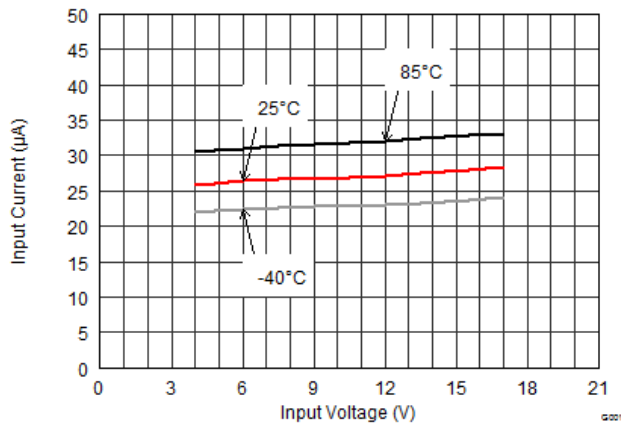


Figure 2. Quiescent Current

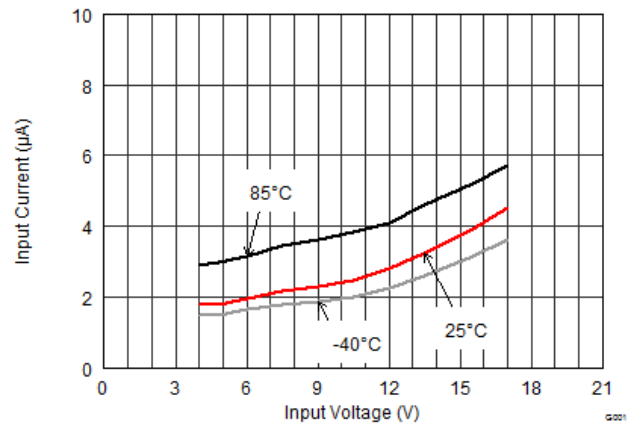


Figure 3. Shutdown Current

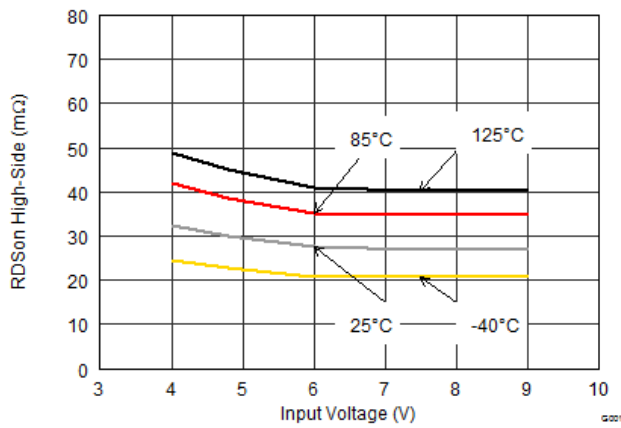


Figure 4. High-Side Switch Resistance

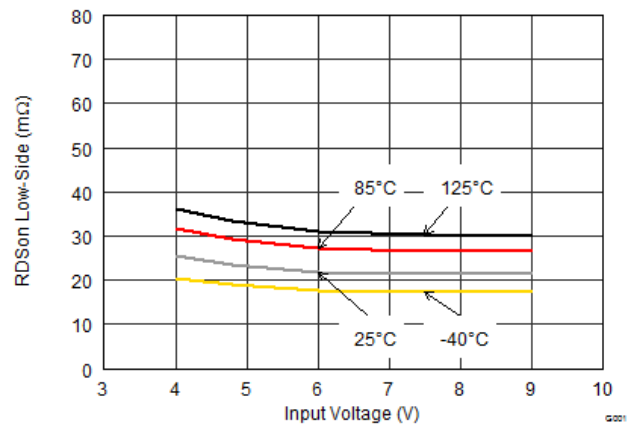


Figure 5. Low-Side Switch Resistance

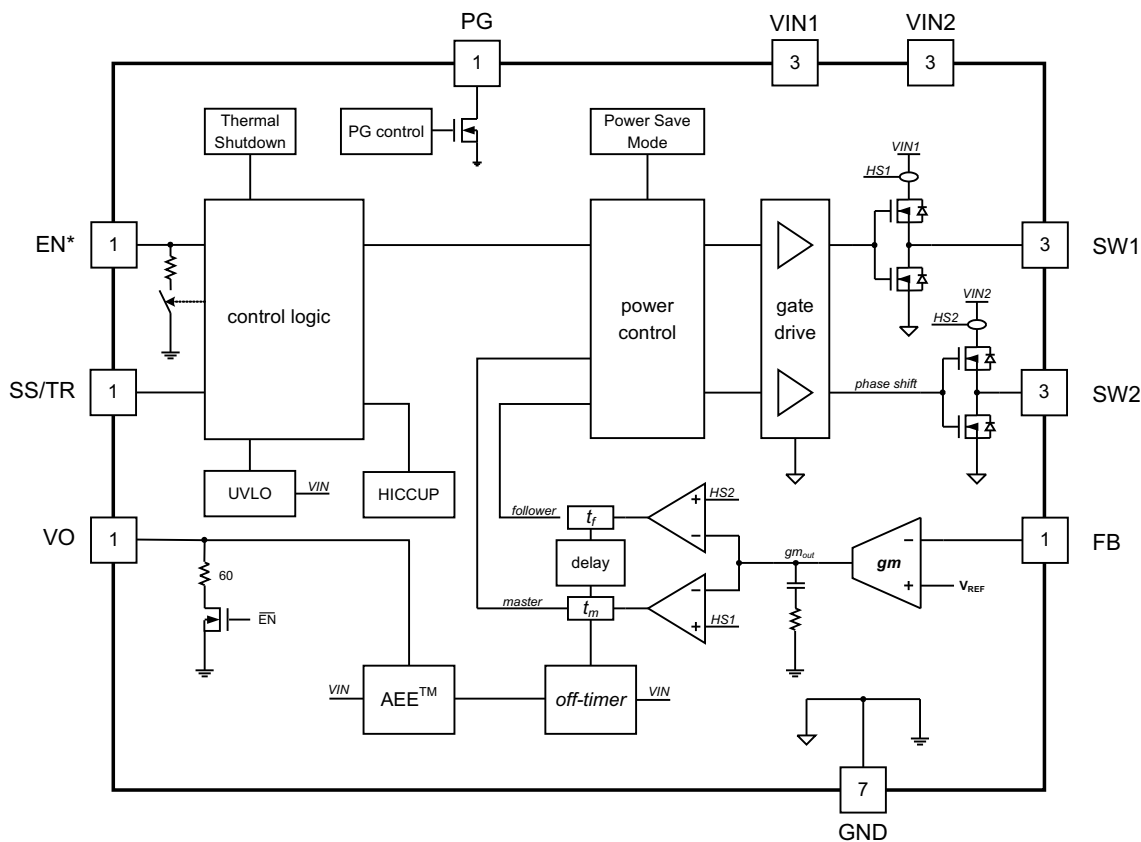
## 8 Detailed Description

### 8.1 Overview

The TPS62184 is a high efficiency synchronous switched mode step-down converter based on a peak current control topology. It is designed for smallest solution size low-profile applications, converting multi-cell Li-Ion supply voltages to output voltages of 0.9 V to 3.5 V. While an outer voltage loop sets the regulation threshold for the current loop based on the actual  $V_{OUT}$  level, the inner current loop adapts the peak inductor current for every switching cycle. The regulation network is internally compensated. The switching frequency is set by an OFF-time control and features Power Save Mode (PSM) and Automatic Efficiency Enhancement (AEE™) to keep the efficiency high over the whole load current and duty cycle range. The switching frequency is set depending on  $V_{IN}$  and  $V_{OUT}$  and remains unchanged for steady state operating conditions.

The TPS62184 is a dual phase converter, sharing the load current among the phases. Identical in construction, the follower control loop is connected with a fixed delay to the master control loop. Both the phases use the same regulation threshold and cycle-by-cycle peak current setpoint. This ensures a phase-shifted as well as current-balanced operation. Using the advantages of the dual phase topology, a 6-A continuous output current is provided with high performance and smallest system solution size.

### 8.2 Functional Block Diagram



\*Pin is connected to a pull down resistor internally  
(see Feature Description section)

Figure 6. TPS62184

## 8.3 Feature Description

### 8.3.1 Enable / Shutdown (EN)

The device starts operation, when  $V_{IN}$  is present and Enable (EN) is set High. The EN threshold is 1 V for rising and 0.9 V for falling voltages, providing a threshold accuracy of  $\pm 3\%$ . That makes it suitable for precise switching on and off in accurate power sequencing arrangements as well as for slowly rising EN control voltage signals (see [Using the Accurate EN Threshold](#) for more details).

The device is disabled by pulling EN Low. A discharge resistor of about 60  $\Omega$  is then connected to the output. At the EN pin, an internal pull down resistor of about 350 k $\Omega$  keeps the Low state, if EN gets high impedance or floating afterwards.

The EN pin can be connected to  $V_{IN}$  to always enable the device. A delay of 1 ms, after  $V_{IN}$  exceeds  $V_{UVLO}$ , ensures safe operating conditions before the device starts switching. If  $V_{IN}$  is already present, a soft start sequence is initiated about 100  $\mu$ s after EN is pulled High.

### 8.3.2 Soft Start / Tracking (SS/TR)

The soft start circuit controls the output voltage slope during startup. This avoids excessive inrush current and ensures a controlled output voltage rise time. It also prevents unwanted voltage drop from high impedance power sources or batteries. When EN is set to start device operation, the device starts switching and  $V_{OUT}$  rises with a slope, controlled by the external capacitor connected to the SS/TR pin. It is not recommended to leave the SS/TR pin floating, because  $V_{OUT}$  may overshoot. Typical startup operation is shown in [Application Performance Curves](#).

The device can track an external voltage (see [Tracking](#)). The device can monotonically start into a pre-biased output.

### 8.3.3 Power Good (PG)

The TPS62184 has a built in power good (PG) function. The PG pin goes High, when the output voltage has reached its nominal value. Otherwise, including when disabled, in UVLO or in thermal shutdown, PG is Low. The PG pin is an open drain output that requires a pull-up resistor and can sink typically 2 mA. If not used, the PG pin can be left floating or grounded.

### 8.3.4 Undervoltage Lockout (UVLO)

The undervoltage lockout (UVLO) prevents misoperation of the device, if the input voltage drops below the UVLO threshold. It is set to 3.6 V typically with a hysteresis of typically 300mV. (See also [Device Functional Modes](#)).

### 8.3.5 Thermal Shutdown

The junction temperature  $T_J$  of the device is monitored by an internal temperature sensor. If  $T_J$  exceeds 160°C (typ.), the device goes in thermal shutdown with a hysteresis of typically 20°C. Both the power FETs are turned off, the discharge resistor is connected to the output and the PG pin goes Low. Once  $T_J$  has decreased enough, the device resumes normal operation with Soft Start.

## 8.4 Device Functional Modes

### 8.4.1 Pulse Width Modulation (PWM) Operation

The TPS62184 is based on a predictive OFF-time peak current control topology, operating with PWM in continuous conduction mode for heavier loads. Since the OFF-time is automatically adjusted according to the actual  $V_{IN}$  and  $V_{OUT}$ , it provides highest efficiency over the entire input and output voltage range. The OFF-time is calculated as:

$$t_{OFF} = \left[ \frac{V_{IN}}{5V_{OUT}} 500ns \right] + 50ns \quad (1)$$



## Device Functional Modes (continued)

While the OFF-time is predicted, the ON-time is set depending on the converter's duty cycle and calculated as:

$$t_{ON} = \frac{t_{OFF} \cdot V_{OUT}}{V_{IN} - V_{OUT}} \quad (2)$$

Thereby the switching frequency is fixed for a given input and output voltage and is calculated as:

$$f_{SW} = \frac{1-D}{t_{OFF}} = \frac{1}{t_{OFF}} \left( 1 - \frac{V_{OUT}}{V_{IN}} \right) \quad (3)$$

Both the master and follower phases regulate to the same level of  $V_{OUT}$  with separate current loops, using the same peak current setpoint, cycle by cycle. This provides excellent peak current balancing, independent of inductor dc resistance matching. Since the follower phase operates with a fixed delay to the master phase, also cycle by cycle, phase shifted operation is obtained.

The device features an automatic transition into Power Save Mode, entered at light loads, running in discontinuous conduction mode (DCM).

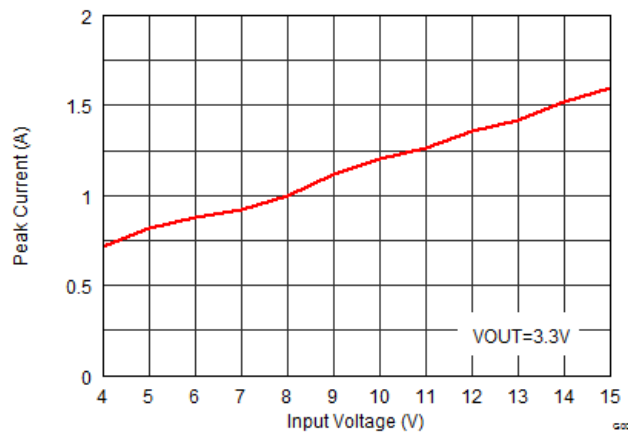
### 8.4.2 Power Save Mode (PSM) Operation

As the load current decreases, the converter enters Power Save Mode operation. During PSM, the converter operates with a reduced switching frequency maintaining highest efficiency due to minimum quiescent current. Power Save Mode is based on a fixed peak current architecture, where the peak current ( $I_{PEAK}$ ) is set depending on  $V_{IN}$ ,  $V_{OUT}$ , and  $L$ . After each single pulse, a pause time until the internal  $V_{OUT\_Low}$  level threshold is reached completes the switching cycle in PSM.

The switching frequency for PSM in one phase operation is calculated as :

$$f_{PSM} = \frac{2I_{OUT} \cdot V_{OUT} (V_{IN} - V_{OUT})}{L \cdot I_{PEAK}^2 \cdot V_{IN}} \quad (4)$$

[Equation 4](#) shows the linear relationship of output current and switching frequency. Typical values of the fixed peak current are shown in [Figure 7](#).

**Device Functional Modes (continued)**

**Figure 7. Typical Fixed Peak Current ( $I_{PEAK}$ ) in Power Save Mode**

If the load decreases to very light loads and only one phase is needed, either phase (master or follower) might be active. The load current level at which Power Save Mode is entered is calculated as follows:

$$I_{load(PSM)} = \Delta I_L \quad (5)$$

Equation 7 is used to calculate  $\Delta I_L$ .

**8.4.3 Minimum Duty Cycle and 100% Mode Operation**

When the input voltage comes close to the output voltage, the device enters 100% mode and both high-side FETs are continuously switched on as long as  $V_{OUT}$  remains below its setpoint. The minimum  $V_{IN}$  to maintain output voltage regulation is calculated as:

$$V_{IN(min)} = V_{OUT(min)} + I_{OUT} \left[ \frac{R_{DS(ON)}}{2} + DCR_{L1} // DCR_{L2} \right] \quad (6)$$

This allows the conversion of small input to output voltage differences, for example for longest operation time in battery powered applications. In 100% duty cycle mode, the low-side FET is switched off.

While the maximum ON-time is not limited, the AEE feature, explained in the next section, secures a minimum ON-time of about 100 ns.

**8.4.4 Automatic Efficiency Enhancement (AEE™)**

AEE™ provides highest efficiency over the entire input voltage and output voltage range by automatically adjusting the converter's switching frequency. This is achieved by setting the predictive off-time of the converter.

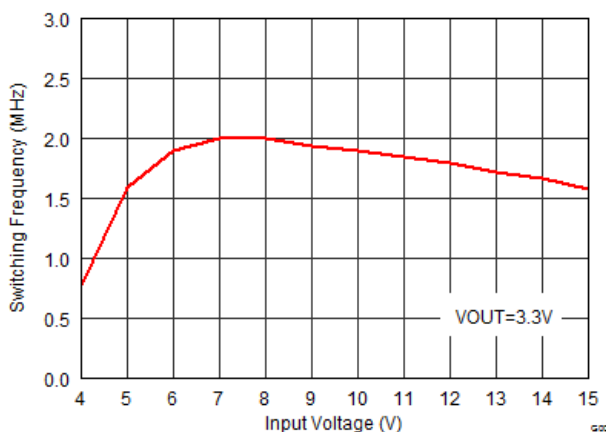
The efficiency of a switched mode converter is determined by the power losses during the conversion. The efficiency decreases, if  $V_{OUT}$  decreases and/or  $V_{IN}$  increases. In order to keep the efficiency high over the entire duty cycle range ( $V_{OUT}/V_{IN}$  ratio), the switching frequency is adjusted while maintaining the ripple current. The following equation shows the relation between the inductor ripple current, switching frequency and duty cycle.

**Device Functional Modes (continued)**

$$\Delta I_L = V_{OUT} \cdot \left( \frac{1-D}{L \cdot f_{SW}} \right) = V_{OUT} \cdot \left( \frac{1 - \frac{V_{OUT}}{V_{IN}}}{L \cdot f_{SW}} \right) \tag{7}$$

Efficiency increases by decreasing switching losses, preserving high efficiency for varying duty cycles, while the ripple current amplitude remains low enough to deliver the full output current without reaching current limit. The AEE™ feature provides an efficiency enhancement for various duty cycles, especially for lower Vout values, where fixed frequency converters suffer from a significant efficiency drop. Furthermore, this feature compensates for the very small duty cycles of high VIN to low VOUT conversion, which limits the control range in other topologies.

Figure 8 shows the typical switching frequency over the input voltage range.



**Figure 8. Typical Switching Frequency vs Input Voltage**

**8.4.5 Phase-Shifted Operation**

While, for a buck converter, the input current source provides the average current that is needed to support the output current, an input capacitance is needed to support pulse currents. One of the natural benefits of a two- (or multi-) phase converter is the possibility to operate out of phase, which decreases the pulse currents and switching noise. In PWM mode, the TPS62184 runs with a fixed delay of typically 250 ns between the phases. This ensures that the phases run phase-delayed, limiting input RMS current and corresponding noise. If in PSM, both phases run, the phase delay is about 100 ns.

**8.4.6 Current Limit, Current Balancing, and Short Circuit Protection**

Each phase has a separate integrated peak current limit. While its minimum value limits the output current of the phase, the maximum number gives the current that must be considered to flow in any operating case. If the current limit of a phase is reached, the peak current setpoint is unable to increase further. The device provides its maximum output current. Detecting this heavy load or short circuit condition for about 0.9 ms, the device switches off for about 5 ms and then restarts again with a soft start cycle. As long as the overload condition is present, the device hiccups that way, limiting the output power.

The two phases are peak current balanced with a variation within about ±10% at 6-A output current. Since the control topology does not depend on inductor or output current measurements, the current balancing accuracy is independent of inductor matching (binning) and does not need matched power routing.

## Device Functional Modes (continued)

### 8.4.7 Tracking

$V_{OUT}$  can track a voltage that is applied at the SS/TR pin. The tracking range at the SS/TR pin is 50 mV to 1.2 V and the FB pin voltage tracks this as given in [Equation 8](#):

$$V_{FB} \approx 0.64 \cdot V_{SS/TR} \quad (8)$$

Due to the factor of about 0.64, the minimum output voltage for tracking is 1.25 V. Once the SS/TR pin voltage reaches about 1.2 V, the internal voltage is clamped to the internal feedback voltage and the device goes to normal regulation. This works for falling tracking voltage as well. If, in this case, the SS/TR voltage decreases, the device does not sink current from the output. Thus, the resulting decrease of the output voltage may be slower than the SS/TR pin voltage if the load is light. When driving the SS/TR pin with an external voltage, do not exceed the voltage rating of the SS/TR pin which is  $V_{IN}+0.3$  V.

Note: If the voltage at the FB pin is below its typical value of 0.8 V, the output voltage accuracy may have a wider tolerance than specified.

## 9 Application and Implementation

### NOTE

Information in the following applications sections is not part of the TI component specification, and TI does not warrant its accuracy or completeness. TI's customers are responsible for determining suitability of components for their purposes. Customers should validate and test their design implementation to confirm system functionality.

### 9.1 Application Information

The TPS62184 is a switched mode step-down converter, able to convert a 4-V to 17-V input voltage into a 0.9-V to 3.5-V output voltage, providing up to 6 A. It needs a minimum amount of external components. Apart from the LC output filter and the input capacitors only an optional pull-up resistor for Power Good (PG) and a small capacitor for adjustable soft start are used. To adjust the output voltage, a resistive divider is needed.

### 9.2 Typical Applications

#### 9.2.1 Typical TPS62184 Application

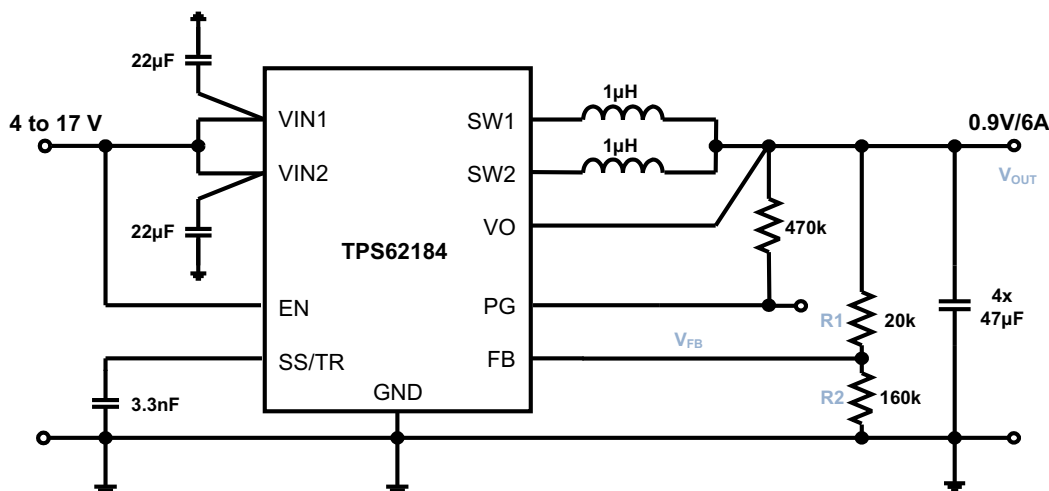


Figure 9. Typical 4-V to 17-V Input, 0.9-V Output Converter

#### 9.2.1.1 Design Requirements

The design guideline provides a component selection to operate the device within the recommended operating conditions. The component selection is given as follows:

Table 1. Components Used for Application Characteristics

REFERENCE NAME	DESCRIPTION / VALUE	MANUFACTURER <sup>(1)</sup>
TPS62184YZF	2 phase step down converter, 2 x 3 mm WCSP	Texas Instruments
L1, L2	Inductor XFL4020-102ME, 1 µH ±20%, 4 x 4 x 2.1 mm	Coilcraft
C <sub>IN</sub>	Ceramic capacitor GRM21BR61E226ME44, 2 x 22 µF, 25 V, X5R, 0805	muRata
C <sub>OUT</sub>	Ceramic capacitor GRM21BR60J476ME15, 4 x 47 µF, 6.3 V, X5R, 0805	muRata
C <sub>SS</sub>	Ceramic capacitor, 3.3 nF	Standard
R1	Chip resistor, value depending on V <sub>OUT</sub>	Standard
R2	Chip resistor, value depending on V <sub>OUT</sub>	Standard
R3	Chip resistor, 470 kΩ, 0603, 1/16 W, 1%	Standard

(1) See [Third-Party Products Disclaimer](#)

### 9.2.1.2 Detailed Design Procedure

#### 9.2.1.2.1 Programming the Output Voltage

The output voltage of the TPS62184 is programmed using an external resistive divider. While the voltage at the FB pin is regulated to 0.8 V, the output voltage range is specified from 0.9 up to 3.5 V. The value of the output voltage is set by selection of the resistive divider (from V<sub>OUT</sub> to FB to AGND) from [Equation 9](#).

$$\frac{R_1}{R_2} = \frac{V_{OUT}}{V_{FB}} - 1 \quad (9)$$

The current through those resistors contributes to the light load efficiency, which makes larger resistor values beneficial. However, to get sufficient noise immunity a minimum current of 5 μA is recommended. Using this, the resistor values are calculated by converting [Equation 9](#) as follows:

$$R_2 = \frac{V_{FB}}{I_{FB}} = \frac{0.8V}{5\mu A} = 160k\Omega \quad (10)$$

Inserting the R<sub>2</sub> value in [Equation 11](#), R<sub>1</sub> can be obtained.

$$R_1 = R_2 \cdot \left( \frac{V_{OUT}}{V_{FB}} - 1 \right) \quad (11)$$

Calculating for V<sub>OUT</sub> = 1.0 V gives R<sub>1</sub> = 40 kΩ and R<sub>2</sub> = 160 kΩ.

In case the FB pin gets opened or an over voltage appears at the output, an internal clamp limits the output voltage to about 7.4 V.

#### 9.2.1.2.2 Output Filter Selection

Since the TPS62184 is compensated internally, it is optimized for a range of external component values, which is specified below. [Table 2](#) and [Table 3](#) are used to simplify the output filter component selection.

**Table 2. Recommended LC Output Filter Combinations for V<sub>OUT</sub> ≥ 1.8 V<sup>(1)</sup>**

	2 x 47 μF	4 x 47 μF	6 x 47 μF	8 x 47 μF
0.47 μH				
1.0 μH	√	√	√	√
1.5 μH				

(1) The values in the table are the nominal values of inductors and ceramic capacitors. The effective capacitance can vary by +20 and -60%.

**Table 3. Recommended LC Output Filter Combinations for V<sub>OUT</sub> < 1.8 V<sup>(1)</sup>**

	2 x 47 μF	4 x 47 μF	6 x 47 μF	8 x 47 μF
0.68 μH				
1.0 μH		√	√	
1.5 μH				

(1) The values in the table are nominal values of inductors and ceramic capacitors. The effective capacitance can vary by +20 and -40%.

For the output capacitors, a voltage rating of 6.3 V and an X5R dielectric are chosen. If space allows for higher voltage rated capacitors in larger case sizes, the dc bias effect is lowered and the effective capacitance value increases.

### 9.2.1.2.3 Inductor Selection

The TPS62184 is designed to work with two inductors of 1  $\mu\text{H}$  nominal. Inductors have to be selected for adequate saturation current and a low dc resistance (DCR). The minimum inductor current rating  $I_{L(\text{min})}$  that is needed under static load conditions is calculated using [Equation 12](#) and [Equation 13](#). A current imbalance of 10% at most is incorporated.

$$I_{\text{peak}(\text{max})} = I_{L(\text{min})} = \frac{1.1 \cdot I_{\text{OUT}(\text{max})}}{2} + \frac{\Delta I_{L(\text{max})}}{2} \quad (12)$$

$$\Delta I_{L(\text{max})} = V_{\text{OUT}} \cdot \left( \frac{1 - \frac{V_{\text{OUT}}}{V_{\text{IN}(\text{max})}}}{L_{(\text{min})} \cdot f_{\text{SW}}} \right) \quad (13)$$

This calculation gives the minimum saturation current of the inductor needed and an additional margin of about 20% is recommended to cover dynamic overshoot due to load transients. The maximum current limit can be reached during strong load transient or overload condition. To avoid device over stress due to inductor saturation in this case, the inductor rating must be as high as the max. current limit of 5A.

For low profile solutions, the physical inductor size and the power losses have to be traded off. Smallest solution size (for example with chip inductors) are less efficient than bigger inductors with lower losses due to lower DCR and/or core losses. The following inductors have been tested with the TPS62184:

**Table 4. List of Inductors**

TYPE	INDUCTANCE [ $\mu\text{H}$ ]	CURRENT RATING MIN/TYP [A] <sup>(1)</sup>	DCR MAX [m $\Omega$ ]	DIMENSIONS (LxBxH) [mm]	MANUFACTURER <sup>(2)</sup>
DFE252012P-1R0M	1 $\pm$ 20%	4.3/4.8	42	2.5 x 2.0 x 1.2	TOKO
PIFE32251B-1R0MS	1 $\pm$ 20%	4.2/4.7	42	3.2 x 2.5 x 1.2	CYNTEC
PIME031B-1R0MS	1 $\pm$ 20%	4.5/5.4	55	3.7 x 3.3 x 1.2	CYNTEC
IHLP1212AB-11	1 $\pm$ 20%	/5.0	37.5	3.6 x 3.0 x 1.2	VISHAY
IHLP1212AE-11	1 $\pm$ 20%	/5.3	33	3.6 x 3.0 x 1.5	VISHAY
744 373 24 010	1 $\pm$ 20%	/>9	27	4.0 x 4.5 x 1.8	WUERTH
XAL4020-102ME_	1 $\pm$ 20%	/8.7	14.6	4.0 x 4.0 x 2.1	COILCRAFT

(1)  $I_{\text{SAT}}$  at 30% drop of inductance ( $\Delta I_L/I_L$ ).

(2) See [Third-Party Products Disclaimer](#)

The TPS62184 is not designed to operate with only one inductor.

### 9.2.1.2.4 Output Capacitor Selection

The TPS62184 provides an output voltage range of 0.9 V to 3.5 V. While stability is a critical criteria for the output filter selection, the output capacitor value also determines transient response behavior, ripple and accuracy of  $V_{\text{OUT}}$ . [Table 5](#) gives recommendations to achieve various transient design targets using 1- $\mu\text{H}$  inductors and small sized output capacitors (see [Table 1](#)).

**Table 5. Recommended Output Capacitor Values**

OUTPUT VOLTAGE [V]	LOAD STEP [A]	(NOMINAL) CAPACITOR VALUE <sup>(1)</sup>	TYPICAL TRANSIENT RESPONSE ACCURACY	
			±mV	±%
0.9 <sup>(2)</sup>	2-6-2 <sup>(3)</sup>	4 x 47 µF	90	10
		6 x 47 µF	70	8
1.8	2-6-2 <sup>(3)</sup>	2 x 47 µF	150	8
		4 x 47 µF	120	7
		8 x 47 µF	90	5
3.3	2-6-2 <sup>(3)</sup>	2 x 47 µF	170	5
		4 x 47 µF	135	4
		8 x 47 µF	100	3

- (1) Ceramic capacitors have a dc bias effect where the effective capacitance differs significantly from the nominal value, depending on package size, voltage rating and dielectric material.
- (2) For output voltages < 1.8V an additional feedforward capacitor of 82pF, parallel to R<sub>1</sub> is recommended to increase stability margin at heavy load steps.
- (3) The transient load step is tested with 1-µs/step rising/falling slopes.

The architecture of the TPS62184 allows the use of tiny ceramic output capacitors with low equivalent series resistance (ESR). These capacitors provide low output voltage ripple and are recommended. To keep its low resistance up to high frequencies and to get narrow capacitance variation with temperature, it is recommended to use X7R or X5R dielectrics. Using even higher values than demanded for stability and transient response has further advantages like smaller voltage ripple and tighter dc output accuracy in Power Save Mode.

#### 9.2.1.2.5 Input Capacitor Selection

The input current of a buck converter is pulsating. Therefore, a low ESR input capacitor is required to prevent large voltage transients and provide peak currents. The recommended value for most applications is 2 x 22 µF, split between the VIN1 and VIN2 inputs and placed as close as possible to these pins and PGND pins. If additional capacitance is needed, it can be added as bulk capacitance. To ensure proper operation, the effective capacitance at the VIN pins must not fall below 2 x 2 µF (close) + 10 µF bulk (effective capacitances).

Low ESR multilayer ceramic capacitors are recommended for best filtering. Increasing with input voltage, the dc bias effect reduces the nominal capacitance value significantly. To decrease input ripple current further, larger values of input capacitors can be used.

#### 9.2.1.2.6 Soft Start Capacitor Selection

The TPS62184 provides a user programmable soft start time. A constant current source of 5 µA, internally connected to the SS/TR pin, allows control of the startup slope by connecting a capacitor to this pin. The current source charges the capacitor and the soft start time is given by:

$$C_{SS} = t_{SS} \cdot \frac{5\mu A}{1.25V} \quad (14)$$

where C<sub>SS</sub> is the soft-start capacitance required at the SS/TR pin and t<sub>SS</sub> is the resulting soft-start ramp time.

The SS/TR pin should not be left floating and a minimum capacitance of 220 pF is recommended. Using [Equation 14](#), and inserting t<sub>SS</sub> = 750 µs, a value of 3 nF is calculated. 3.3 nF is chosen as a standard value for this example.



### 9.2.1.2.7 Using the Accurate EN Threshold

The TPS62184 provides a very accurate EN threshold voltage. This can be used to switch on the device according to a  $V_{IN}$  or another voltage level by using a resistive divider as shown below. The values of  $R_{EN1}$  and  $R_{EN2}$ , needed to set EN = High at a specific  $V_{IN}$  can be calculated according to Kirchhoff's laws, shown in Equation 15 and used in the following example:

$$V_{IN} = V_{EN\_threshold} \cdot \frac{R_{EN1} + R_{EN2}}{R_{EN2}} \quad (15)$$

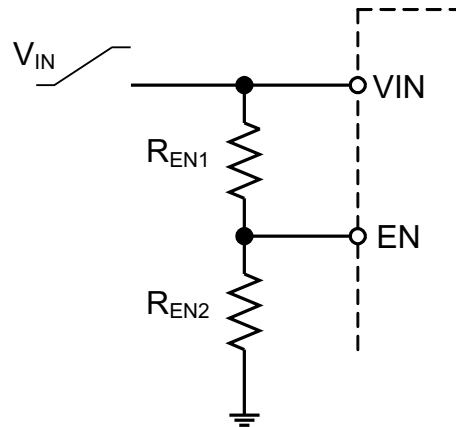


Figure 10. Resistive Divider for Controlled EN Threshold

For a typical 8-V input rail, the device turn on target value is set to 5.5 V. The current through the resistive divider is set to 10  $\mu$ A, which indicates a total resistance of about 800 k $\Omega$ . Appropriate standard resistor values, fitting Equation 15, are  $R_{EN1} = 680$  k $\Omega$  and  $R_{EN2} = 150$  k $\Omega$ . As a result, the device switches on, when  $V_{IN}$  has reached 5.5 V and the current through the divider is 9.6  $\mu$ A. The device switches off at a threshold of 0.9 V. Using Equation 15 again, this case gives a level of  $V_{IN} = 5.0$  V.

Figure 31 to Figure 34 show thresholds and appropriate device behavior with a startup time of about 800  $\mu$ s.

9.2.1.3 Application Performance Curves

$V_{IN} = 12\text{ V}$ ,  $V_{OUT} = 3.3\text{ V}$ ,  $T_A = 25^\circ\text{C}$ , (unless otherwise noted)

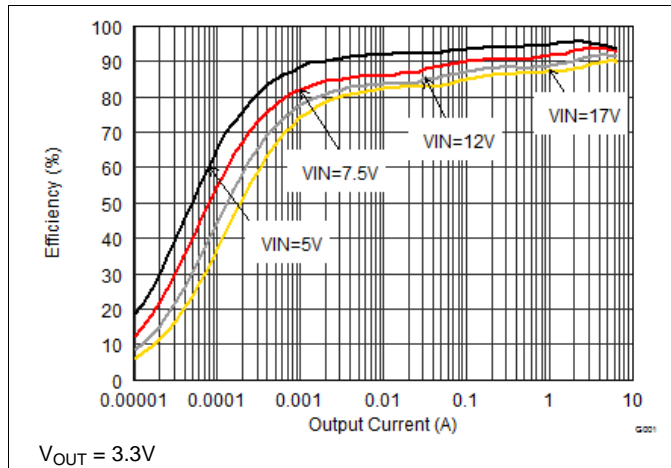


Figure 11. Efficiency vs Load Current

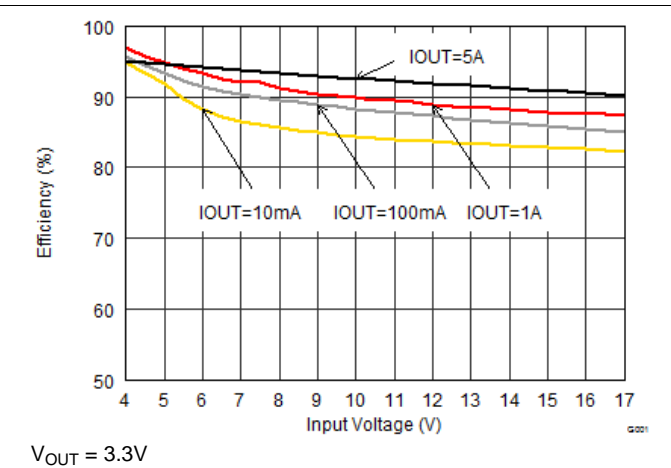


Figure 12. Efficiency vs Input Voltage

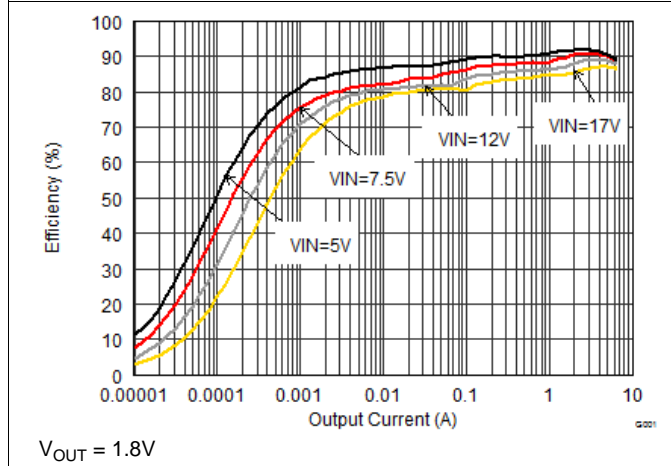


Figure 13. Efficiency vs Load Current

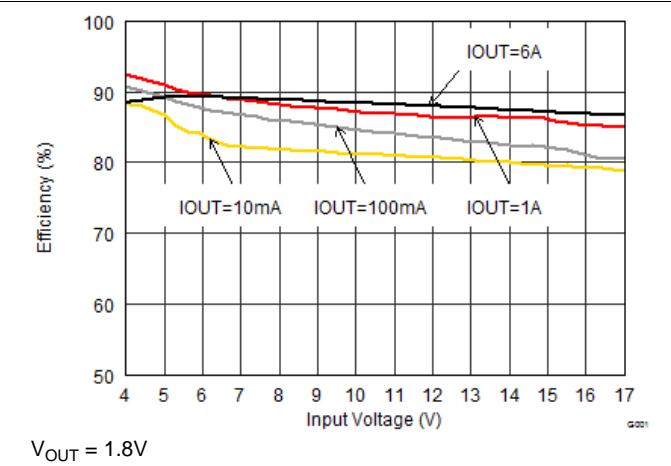


Figure 14. Efficiency vs Input Voltage

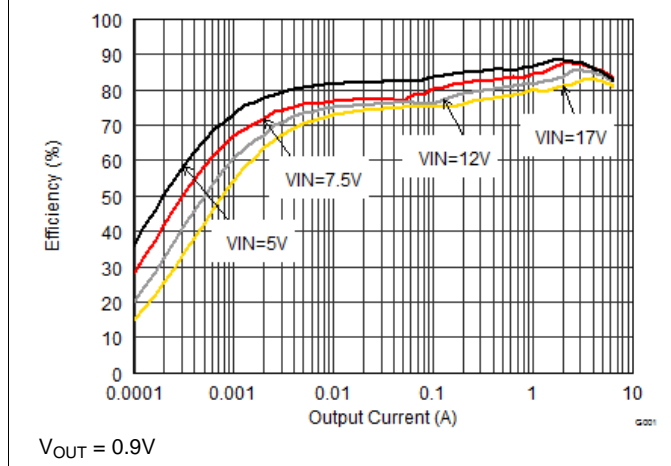


Figure 15. Efficiency vs Load Current

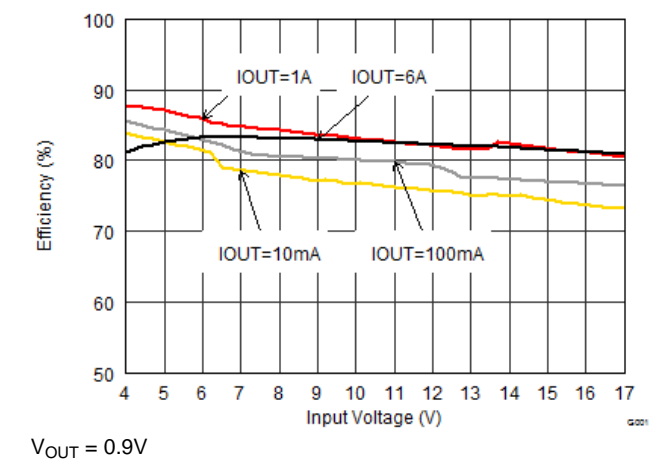


Figure 16. Efficiency vs Input Voltage

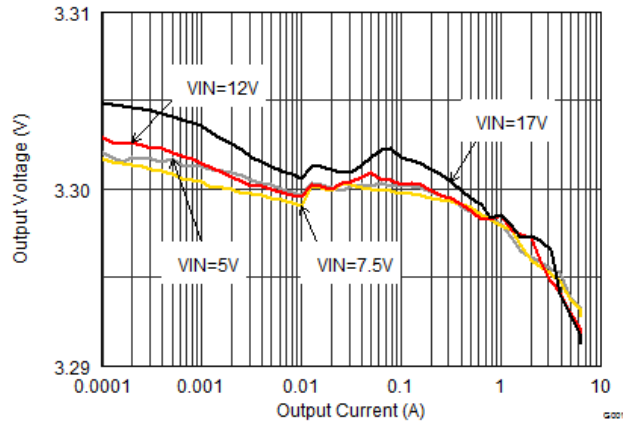


Figure 17. Output Voltage vs Output Current (Load regulation)

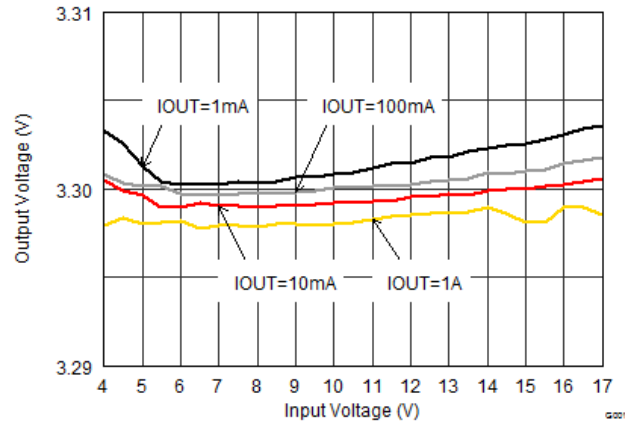
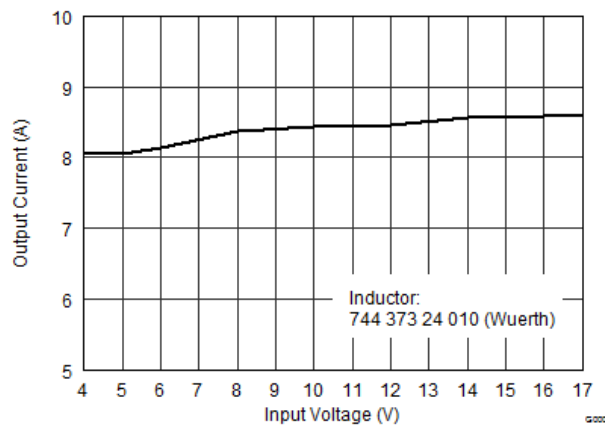
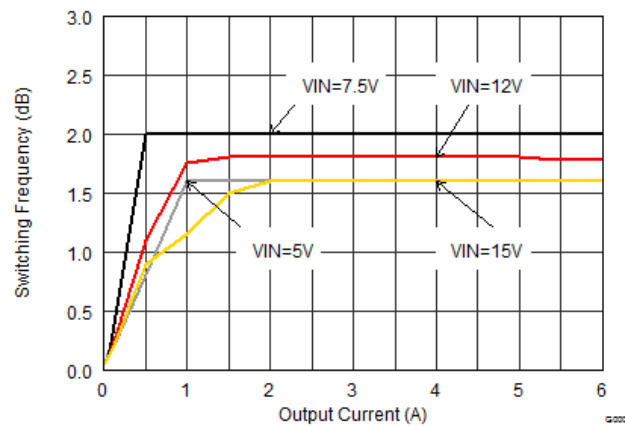


Figure 18. Output Voltage vs Input Voltage (Line regulation)



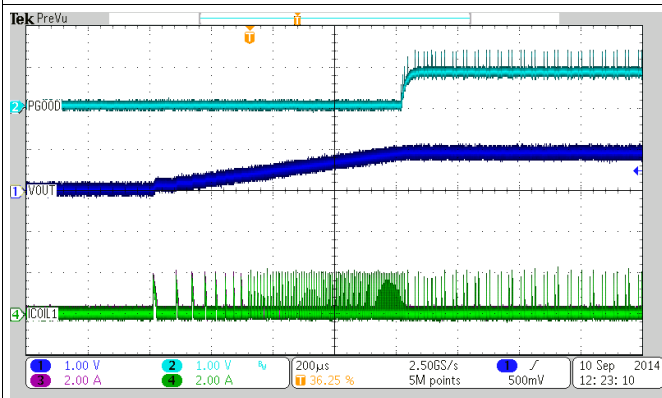
$V_{OUT} = 0.9V$

Figure 19. Maximum Output Current vs Input Voltage



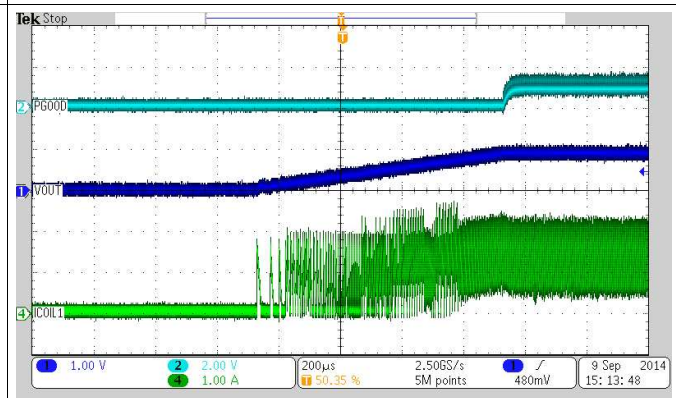
$V_{OUT} = 3.3V$

Figure 20. Switching Frequency vs Output Current



$V_{OUT} = 0.9V$

Figure 21. Startup into 10  $\Omega$  (90 mA)



$V_{OUT} = 0.9V$

Figure 22. Startup into 0.33  $\Omega$  (2.73 A)

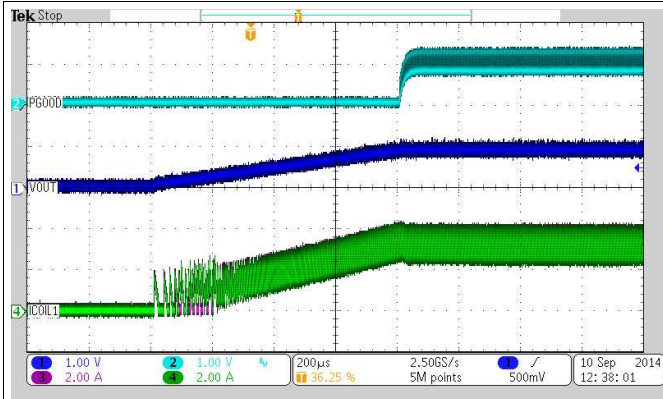


Figure 23. Startup into 0.135 Ω (6.6 A)

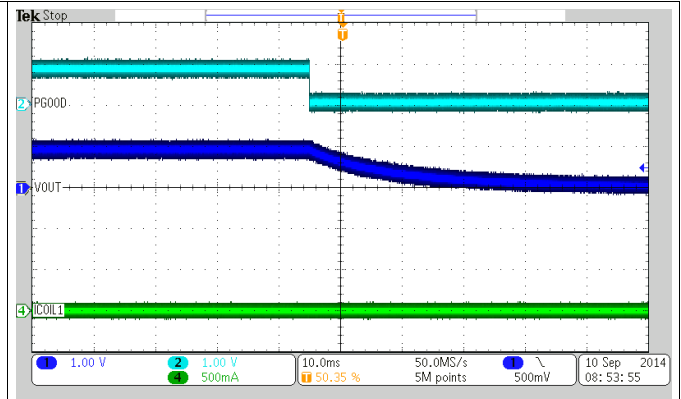


Figure 24. Output Discharge (No load)

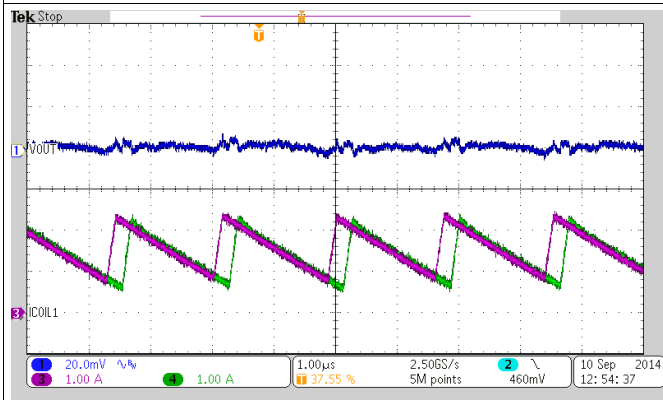


Figure 25. Typical Operation (PWM)

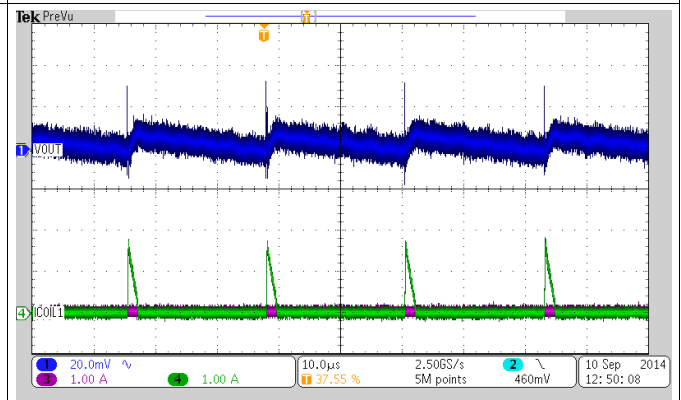


Figure 26. Typical Operation (PSM)

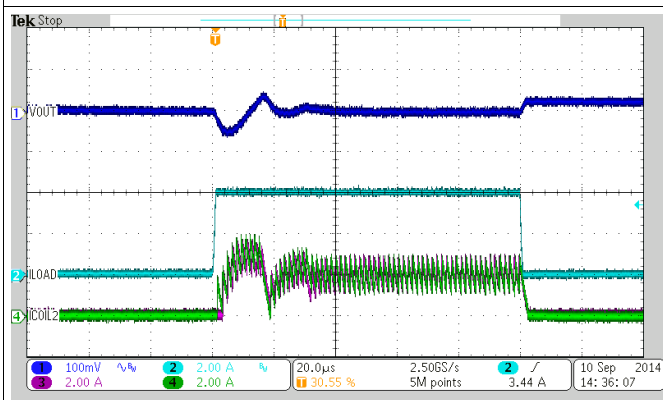


Figure 27. Load Transient Response (PSM-PWM)

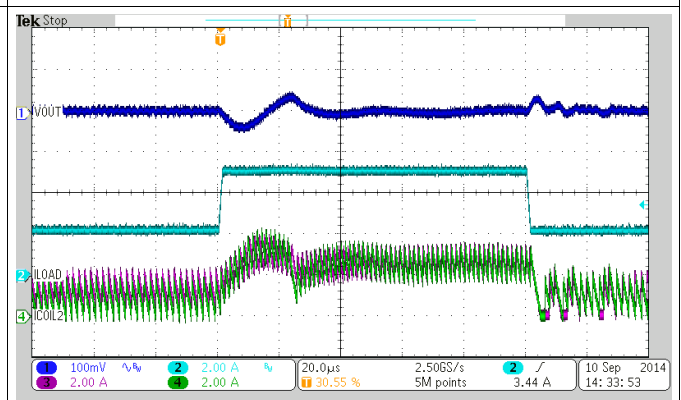
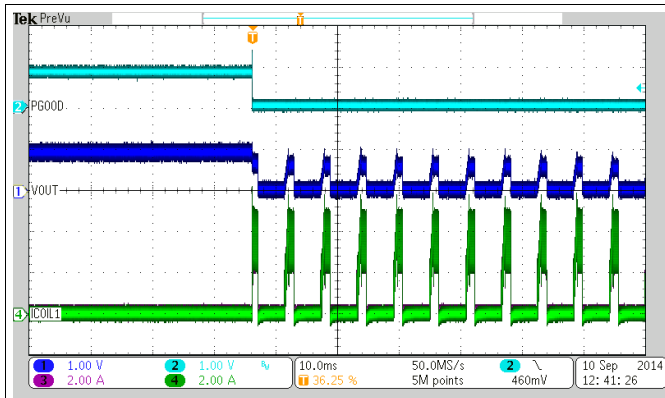
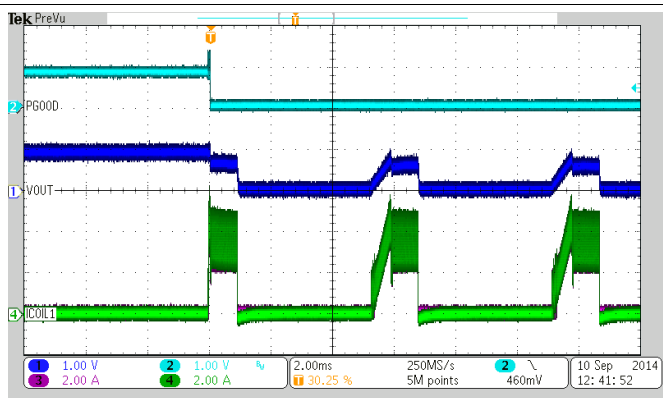


Figure 28. Load Transient Response (PWM-PWM)



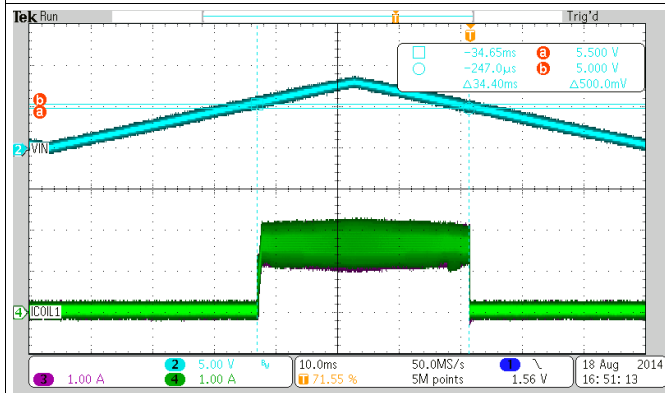
$V_{OUT} = 0.9V$

Figure 29. HICCUP at Short Circuit



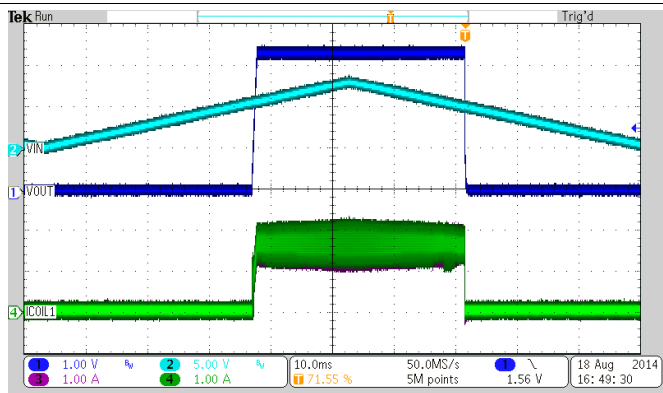
$V_{OUT} = 0.9V$

Figure 30. HICCUP at Short Circuit



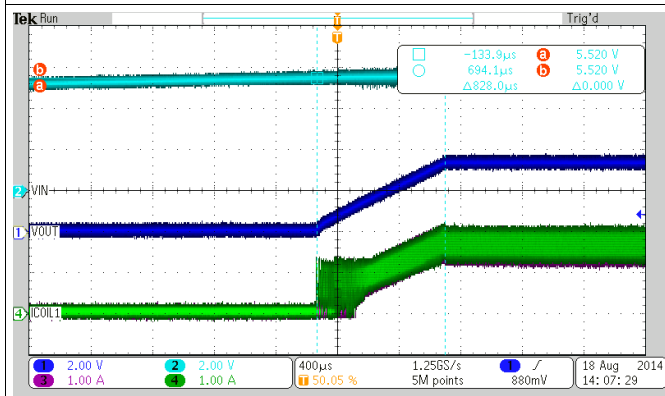
$V_{IN} = 5.5 V$  (Rising),  $V_{IN} = 5.0 V$  (Falling)

Figure 31. Accurate EN Threshold



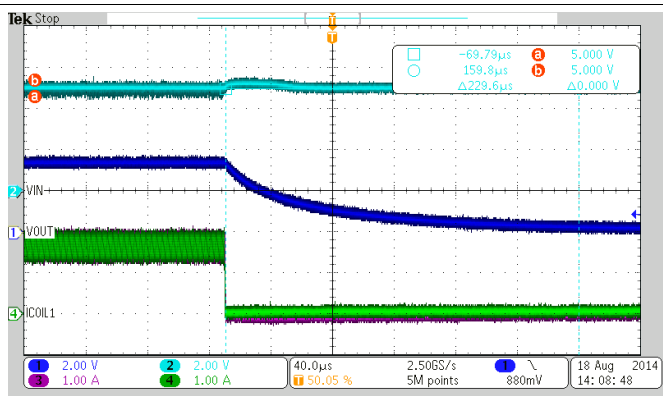
$V_{IN} = 5.5 V$  (Rising),  $V_{IN} = 5.0 V$  (Falling)

Figure 32. Accurate EN Threshold Showing  $V_{OUT}$



$V_{IN} = 5.5 V$  (Rising)

Figure 33. Accurate EN Threshold



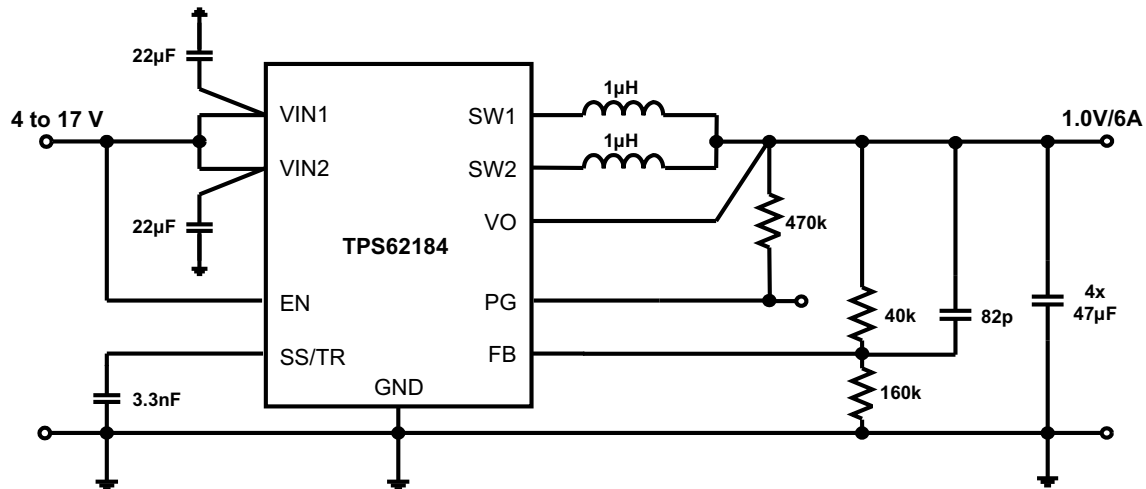
$V_{IN} = 5.0 V$  (Falling)

Figure 34. Accurate EN Threshold

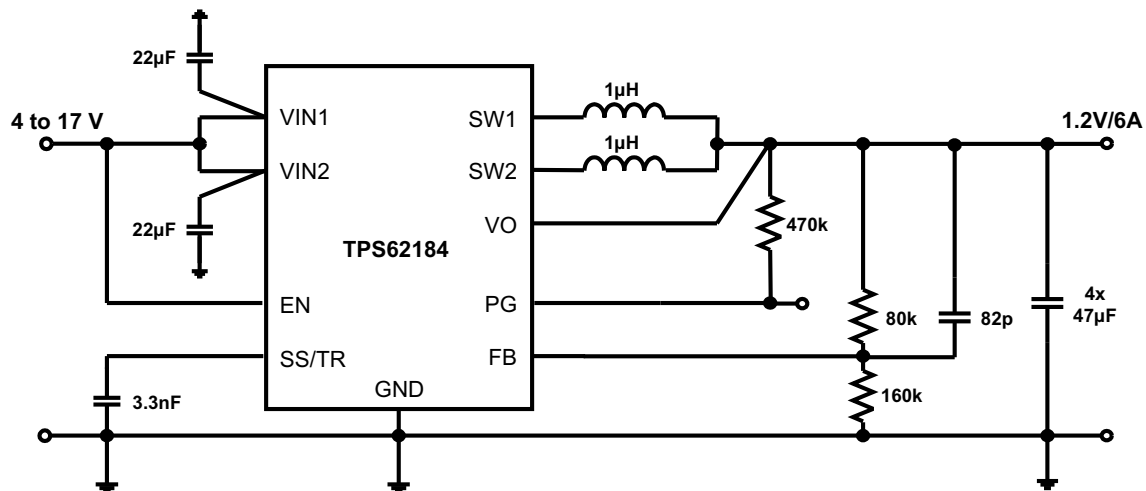
### 9.3 System Examples

Based on [Figure 9](#), the schematics shown in [Figure 35](#) through [Figure 39](#) show different output voltage divider values to get different  $V_{OUT}$ . Another design target is to have about 5- $\mu$ A current through the divider.

The values for the voltage divider are derived using the procedure given in [Programming the Output Voltage](#). While [Equation 10](#) and [Equation 11](#) are used to calculate R2 and R1, the values are aligned with standard resistor values.



**Figure 35. 1.0-V/6-A Power Supply**



**Figure 36. 1.2-V/6-A Power Supply**

System Examples (continued)

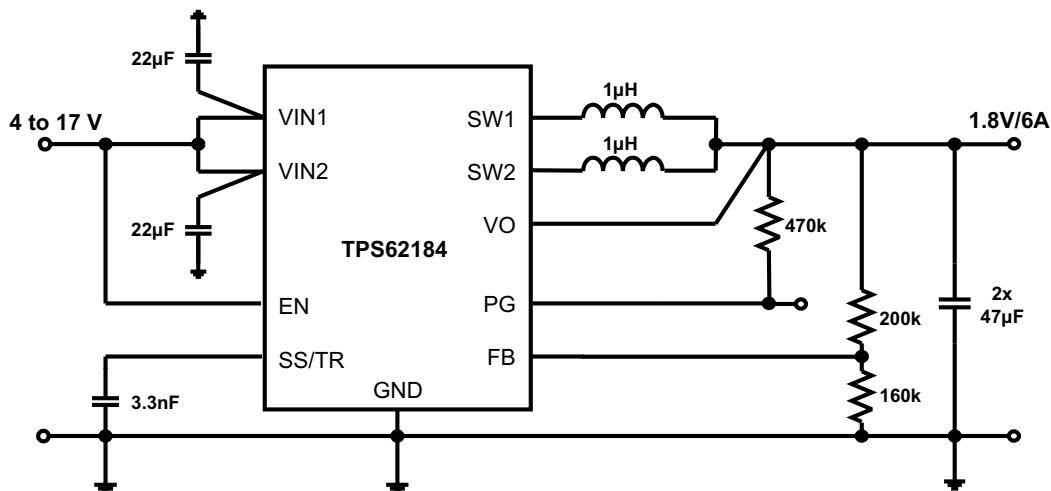


Figure 37. 1.8-V/6-A Power Supply

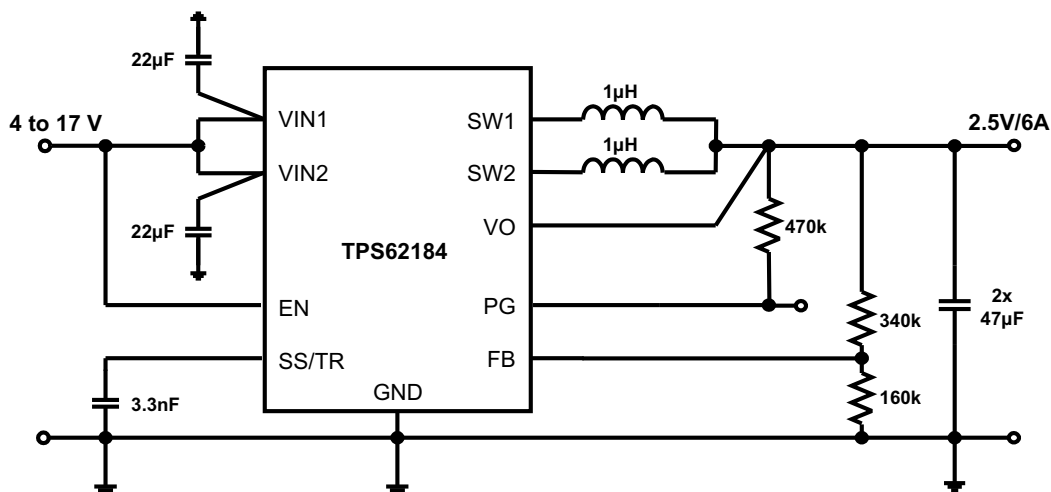
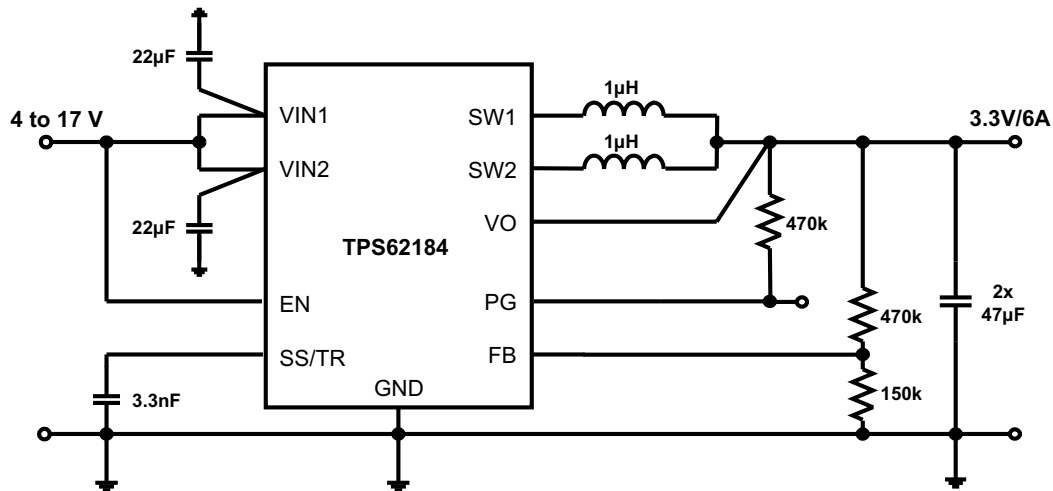


Figure 38. 2.5-V/6-A Power Supply

**System Examples (continued)**

**Figure 39. 3.3-V/6-A Power Supply**
**10 Power Supply Recommendations**

The TPS62184 is designed to operate from a 4-V to 17-V input voltage supply. The input power supply's output current needs to be rated according to the output voltage and the output current of the power rail application.



## 11 Layout

### 11.1 Layout Guidelines

The PCB layout of the TPS62184 demands careful attention to ensure proper operation, thermal profile, low noise emission and to achieve best performance. A poor layout can lead to issues like poor regulation, stability and accuracy weaknesses, increased EMI radiation and noise sensitivity. While the TPS62184 provides very high power density, the PCB layout also contributes significantly to the thermal performance.

#### 11.1.1 PCB layout

A recommended PCB layout for the TPS62184 dual phase solution is shown below. It ensures best electrical and optimized thermal performance considering the following important topics:

- The input capacitors must be placed as close as possible to the appropriate pins of the device. This provides low resistive and inductive paths for the high  $di/dt$  input current. The input capacitance is split, as is the  $V_{IN}$  connection, to avoid interference between the input lines.
- The SW node connection from the IC to the inductor conducts high currents. It should be kept short and can be designed in parallel with an internal or bottom layer plane, to provide low resistance and enhanced thermal behavior.
- The  $V_{OUT}$  regulation loop is closed with  $C_{OUT}$  and its ground connection. If a ground layer or plane is used, a direct connection by vias, as shown, is recommended. Otherwise the connection of  $C_{OUT}$  to GND must be short for good load regulation.
- The FB node is sensitive to  $dv/dt$  signals. Therefore the resistive divider should be placed close to the FB pin, avoiding long trace distance.

### 11.2 Layout Example

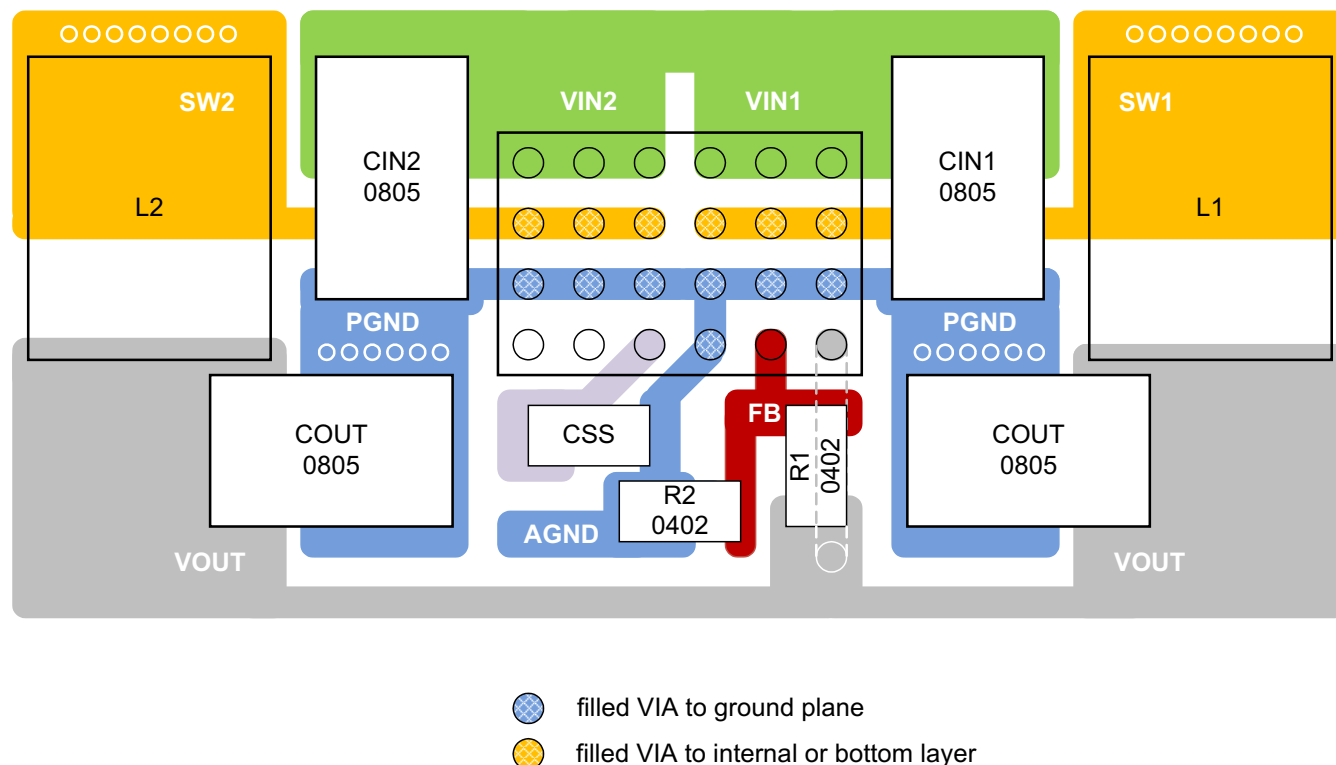


Figure 40. TPS62184 Board Layout

## 12 Device and Documentation Support

### 12.1 Device Support

#### 12.1.1 Third-Party Products Disclaimer

TI'S PUBLICATION OF INFORMATION REGARDING THIRD-PARTY PRODUCTS OR SERVICES DOES NOT CONSTITUTE AN ENDORSEMENT REGARDING THE SUITABILITY OF SUCH PRODUCTS OR SERVICES OR A WARRANTY, REPRESENTATION OR ENDORSEMENT OF SUCH PRODUCTS OR SERVICES, EITHER ALONE OR IN COMBINATION WITH ANY TI PRODUCT OR SERVICE.

### 12.2 Trademarks

AEE, NanoFree are trademarks of Texas Instruments.  
All other trademarks are the property of their respective owners.

### 12.3 Electrostatic Discharge Caution



These devices have limited built-in ESD protection. The leads should be shorted together or the device placed in conductive foam during storage or handling to prevent electrostatic damage to the MOS gates.

### 12.4 Glossary

[SLYZ022](#) — *TI Glossary*.

This glossary lists and explains terms, acronyms, and definitions.

## 13 Mechanical, Packaging, and Orderable Information

The following pages include mechanical packaging and orderable information. This information is the most current data available for the designated devices. This data is subject to change without notice and revision of this document. For browser-based versions of this data sheet, refer to the left-hand navigation.

**PACKAGING INFORMATION**

Orderable part number	Status (1)	Material type (2)	Package   Pins	Package qty   Carrier	RoHS (3)	Lead finish/ Ball material (4)	MSL rating/ Peak reflow (5)	Op temp (°C)	Part marking (6)
<a href="#">TPS62184YZFR</a>	Active	Production	DSBGA (YZF)   24	3000   LARGE T&R	Yes	SNAGCU	Level-1-260C-UNLIM	-40 to 125	ELC184
TPS62184YZFR.A	Active	Production	DSBGA (YZF)   24	3000   LARGE T&R	Yes	SNAGCU	Level-1-260C-UNLIM	-40 to 125	ELC184
<a href="#">TPS62184YZFT</a>	Active	Production	DSBGA (YZF)   24	250   SMALL T&R	Yes	SNAGCU	Level-1-260C-UNLIM	-40 to 125	ELC184
TPS62184YZFT.A	Active	Production	DSBGA (YZF)   24	250   SMALL T&R	Yes	SNAGCU	Level-1-260C-UNLIM	-40 to 125	ELC184

(1) **Status:** For more details on status, see our [product life cycle](#).

(2) **Material type:** When designated, preproduction parts are prototypes/experimental devices, and are not yet approved or released for full production. Testing and final process, including without limitation quality assurance, reliability performance testing, and/or process qualification, may not yet be complete, and this item is subject to further changes or possible discontinuation. If available for ordering, purchases will be subject to an additional waiver at checkout, and are intended for early internal evaluation purposes only. These items are sold without warranties of any kind.

(3) **RoHS values:** Yes, No, RoHS Exempt. See the [TI RoHS Statement](#) for additional information and value definition.

(4) **Lead finish/Ball material:** Parts may have multiple material finish options. Finish options are separated by a vertical ruled line. Lead finish/Ball material values may wrap to two lines if the finish value exceeds the maximum column width.

(5) **MSL rating/Peak reflow:** The moisture sensitivity level ratings and peak solder (reflow) temperatures. In the event that a part has multiple moisture sensitivity ratings, only the lowest level per JEDEC standards is shown. Refer to the shipping label for the actual reflow temperature that will be used to mount the part to the printed circuit board.

(6) **Part marking:** There may be an additional marking, which relates to the logo, the lot trace code information, or the environmental category of the part.

Multiple part markings will be inside parentheses. Only one part marking contained in parentheses and separated by a "~" will appear on a part. If a line is indented then it is a continuation of the previous line and the two combined represent the entire part marking for that device.

**Important Information and Disclaimer:** The information provided on this page represents TI's knowledge and belief as of the date that it is provided. TI bases its knowledge and belief on information provided by third parties, and makes no representation or warranty as to the accuracy of such information. Efforts are underway to better integrate information from third parties. TI has taken and continues to take reasonable steps to provide representative and accurate information but may not have conducted destructive testing or chemical analysis on incoming materials and chemicals. TI and TI suppliers consider certain information to be proprietary, and thus CAS numbers and other limited information may not be available for release.

In no event shall TI's liability arising out of such information exceed the total purchase price of the TI part(s) at issue in this document sold by TI to Customer on an annual basis.

## TAPE AND REEL INFORMATION



### QUADRANT ASSIGNMENTS FOR PIN 1 ORIENTATION IN TAPE



\*All dimensions are nominal

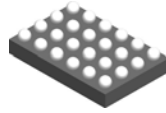
Device	Package Type	Package Drawing	Pins	SPQ	Reel Diameter (mm)	Reel Width W1 (mm)	A0 (mm)	B0 (mm)	K0 (mm)	P1 (mm)	W (mm)	Pin1 Quadrant
TPS62184YZFR	DSBGA	YZF	24	3000	330.0	12.4	2.25	3.25	0.81	4.0	12.0	Q1
TPS62184YZFT	DSBGA	YZF	24	250	330.0	12.4	2.25	3.25	0.81	4.0	12.0	Q1

**TAPE AND REEL BOX DIMENSIONS**


\*All dimensions are nominal

Device	Package Type	Package Drawing	Pins	SPQ	Length (mm)	Width (mm)	Height (mm)
TPS62184YZFR	DSBGA	YZF	24	3000	335.0	335.0	25.0
TPS62184YZFT	DSBGA	YZF	24	250	335.0	335.0	25.0

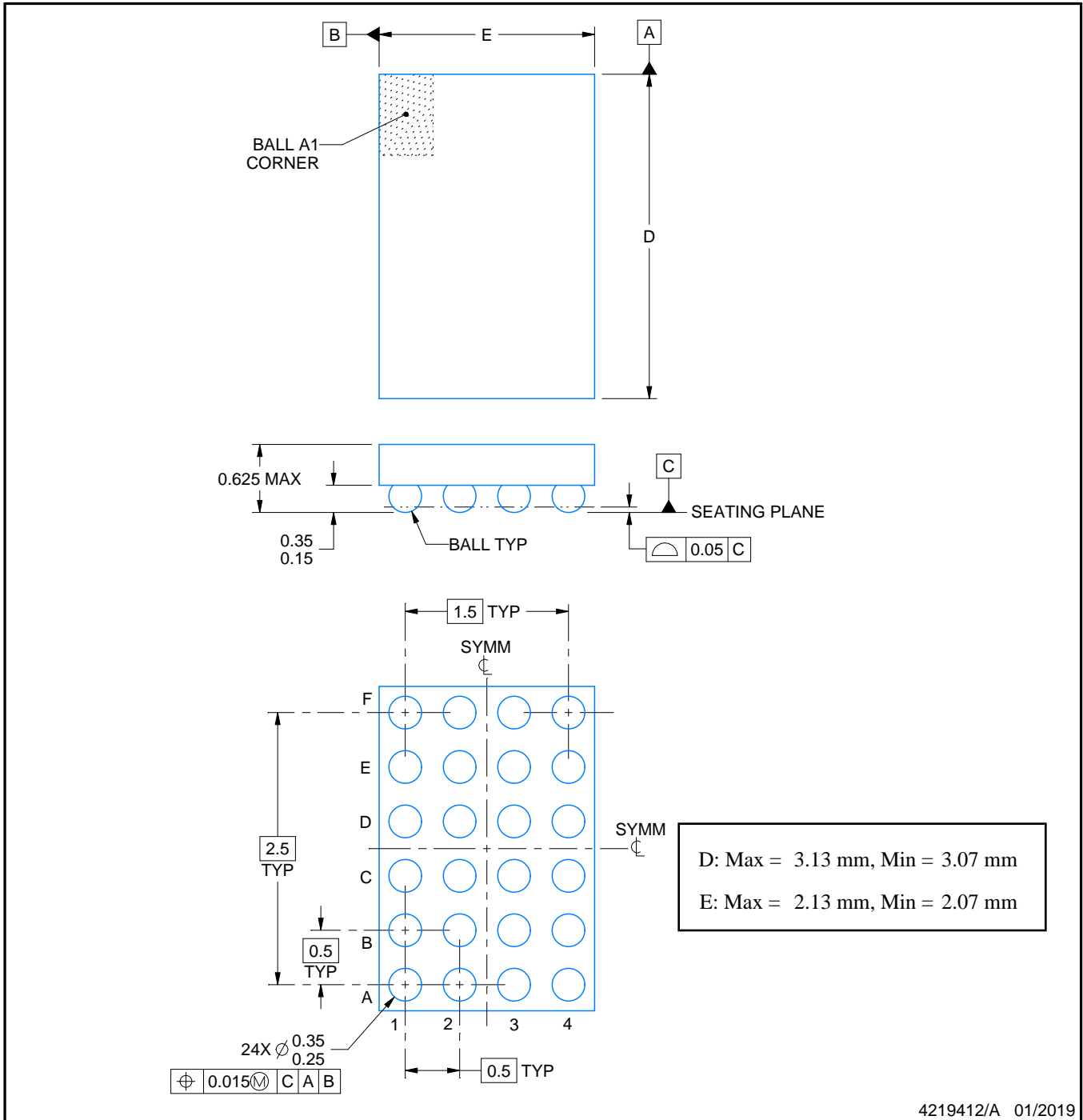
YZF0024



# PACKAGE OUTLINE

DSBGA - 0.625 mm max height

DIE SIZE BALL GRID ARRAY



NOTES:

NanoFree is a trademark of Texas Instruments.

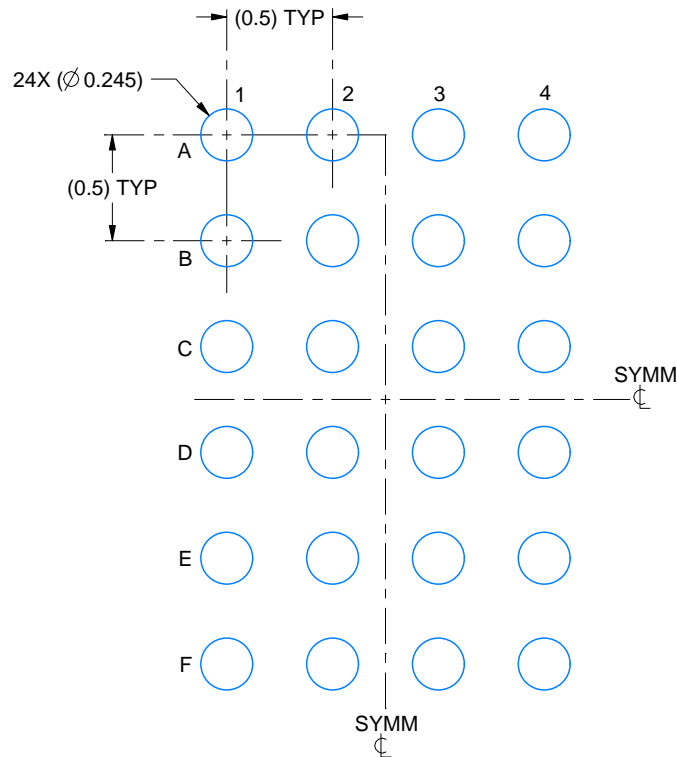
1. All linear dimensions are in millimeters. Any dimensions in parenthesis are for reference only. Dimensioning and tolerancing per ASME Y14.5M.
2. This drawing is subject to change without notice.
3. NanoFree™ package configuration.

# EXAMPLE BOARD LAYOUT

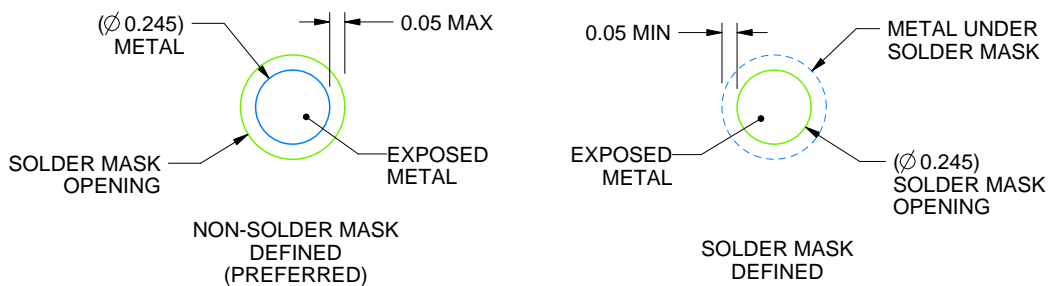
YZF0024

DSBGA - 0.625 mm max height

DIE SIZE BALL GRID ARRAY



LAND PATTERN EXAMPLE  
EXPOSED METAL SHOWN  
SCALE:28X



SOLDER MASK DETAILS  
NOT TO SCALE

4219412/A 01/2019

NOTES: (continued)

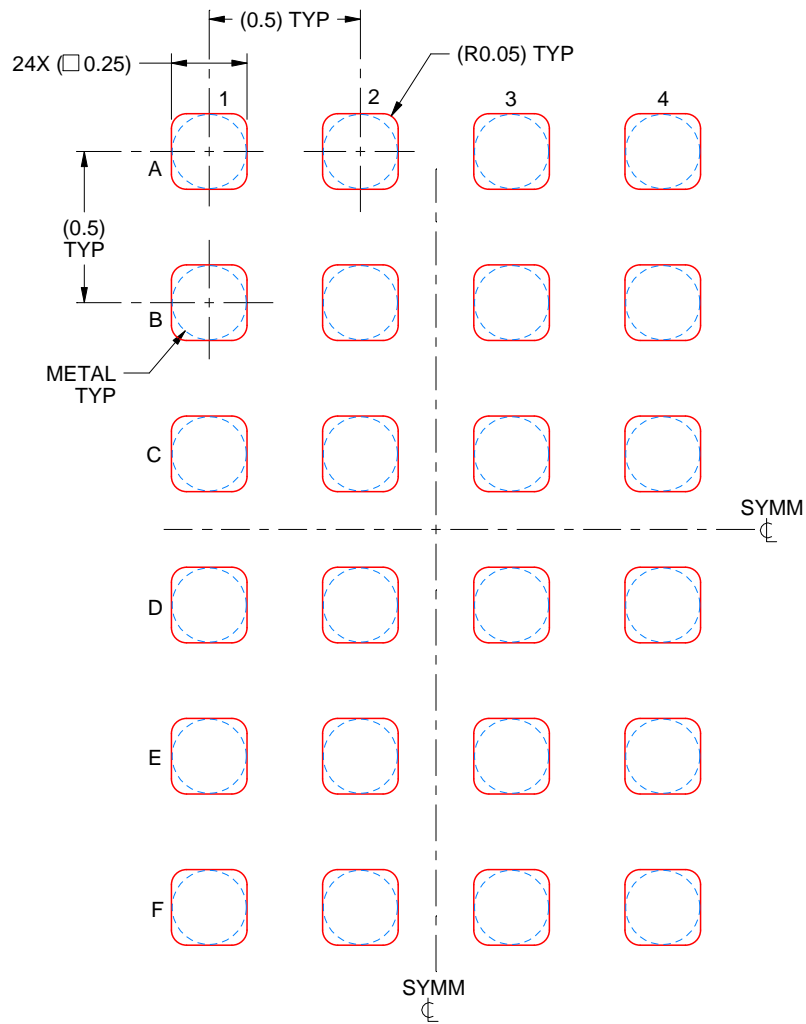
- Final dimensions may vary due to manufacturing tolerance considerations and also routing constraints. For more information, see Texas Instruments literature number SNVA009 ([www.ti.com/lit/snva009](http://www.ti.com/lit/snva009)).

# EXAMPLE STENCIL DESIGN

YZF0024

DSBGA - 0.625 mm max height

DIE SIZE BALL GRID ARRAY



SOLDER PASTE EXAMPLE  
BASED ON 0.1 mm THICK STENCIL  
SCALE:40X

4219412/A 01/2019

NOTES: (continued)

5. Laser cutting apertures with trapezoidal walls and rounded corners may offer better paste release.



## IMPORTANT NOTICE AND DISCLAIMER

TI PROVIDES TECHNICAL AND RELIABILITY DATA (INCLUDING DATASHEETS), DESIGN RESOURCES (INCLUDING REFERENCE DESIGNS), APPLICATION OR OTHER DESIGN ADVICE, WEB TOOLS, SAFETY INFORMATION, AND OTHER RESOURCES "AS IS" AND WITH ALL FAULTS, AND DISCLAIMS ALL WARRANTIES, EXPRESS AND IMPLIED, INCLUDING WITHOUT LIMITATION ANY IMPLIED WARRANTIES OF MERCHANTABILITY, FITNESS FOR A PARTICULAR PURPOSE OR NON-INFRINGEMENT OF THIRD PARTY INTELLECTUAL PROPERTY RIGHTS.

These resources are intended for skilled developers designing with TI products. You are solely responsible for (1) selecting the appropriate TI products for your application, (2) designing, validating and testing your application, and (3) ensuring your application meets applicable standards, and any other safety, security, regulatory or other requirements.

These resources are subject to change without notice. TI grants you permission to use these resources only for development of an application that uses the TI products described in the resource. Other reproduction and display of these resources is prohibited. No license is granted to any other TI intellectual property right or to any third party intellectual property right. TI disclaims responsibility for, and you fully indemnify TI and its representatives against any claims, damages, costs, losses, and liabilities arising out of your use of these resources.

TI's products are provided subject to [TI's Terms of Sale](#), [TI's General Quality Guidelines](#), or other applicable terms available either on [ti.com](http://ti.com) or provided in conjunction with such TI products. TI's provision of these resources does not expand or otherwise alter TI's applicable warranties or warranty disclaimers for TI products. Unless TI explicitly designates a product as custom or customer-specified, TI products are standard, catalog, general purpose devices.

TI objects to and rejects any additional or different terms you may propose.

Copyright © 2025, Texas Instruments Incorporated

Last updated 10/2025