

TMS320F2803x Real-Time Microcontrollers

1 Features

- High-efficiency 32-bit CPU (TMS320C28x)
 - 60MHz (16.67ns cycle time)
 - 16 × 16 and 32 × 32 MAC operations
 - 16 × 16 dual MAC
 - Harvard bus architecture
 - Atomic operations
 - Fast interrupt response and processing
 - Unified memory programming model
 - Code-efficient (in C/C++ and Assembly)
- Programmable Control Law Accelerator (CLA)
 - 32-bit floating-point math accelerator
 - Executes code independently of the main CPU
- Endianness: Little endian
- JTAG boundary scan support
 - IEEE Standard 1149.1-1990 Standard Test Access Port and Boundary Scan Architecture
- Low cost for both device and system:
 - Single 3.3V supply
 - No power sequencing requirement
 - Integrated power-on reset and brown-out reset
 - Low power
 - No analog support pins
- Clocking:
 - Two internal zero-pin oscillators
 - On-chip crystal oscillator and external clock input
 - Watchdog timer module
 - Missing clock detection circuitry
- Up to 45 individually programmable, multiplexed GPIO pins with input filtering
- Peripheral Interrupt Expansion (PIE) block that supports all peripheral interrupts
- Three 32-bit CPU timers
- Independent 16-bit timer in each Enhanced Pulse Width Modulator (ePWM)
 - On-chip memory
 - Flash, SARAM, OTP, Boot ROM available
 - Code-security module
 - 128-bit security key and lock
 - Protects secure memory blocks
 - Prevents firmware reverse engineering
 - Serial port peripherals
 - One Serial Communications Interface (SCI) Universal Asynchronous Receiver/Transmitter (UART) module
 - Two Serial Peripheral Interface (SPI) modules
 - One Inter-Integrated-Circuit (I2C) module
 - One Local Interconnect Network (LIN) module
 - One Enhanced Controller Area Network (eCAN) module
 - Enhanced control peripherals
 - ePWM
 - High-Resolution PWM (HRPWM)
 - Enhanced Capture (eCAP) module
 - High-Resolution Input Capture (HRCAP) module
 - Enhanced Quadrature Encoder Pulse (eQEP) module
 - Analog-to-Digital Converter (ADC)
 - On-chip temperature sensor
 - Comparator
 - Advanced emulation features
 - Analysis and breakpoint functions
 - Real-time debug through hardware
 - Package options
 - 56-Pin RSH Very Thin Quad Flatpack (No lead) (VQFN)
 - 64-Pin PAG Thin Quad Flatpack (TQFP)
 - 80-Pin PN Low-Profile Quad Flatpack (LQFP)
 - Temperature options
 - T: –40°C to 105°C
 - S: –40°C to 125°C
 - Q: –40°C to 125°C (AEC Q100 qualification for automotive applications)



2 Applications

- Air conditioner outdoor unit
- Door operator drive control
- DC/DC converter
- Inverter & motor control
- On-board (OBC) & wireless charger
- Automated sorting equipment
- Textile machine
- Welding machine
- AC charging (pile) station
- DC charging (pile) station
- EV charging station power module
- Wireless vehicle charging module
- Energy storage power conversion system (PCS)
- Micro inverter
- Solar power optimizer
- String inverter
- AC drive control module
- Linear motor segment controller
- Servo drive power stage module
- AC-input BLDC motor drive
- DC-input BLDC motor drive
- Industrial AC-DC
- Three phase UPS
- Merchant network & server PSU
- Merchant telecom rectifiers

3 Description

C2000™ 32-bit microcontrollers are optimized for processing, sensing, and actuation to improve closed-loop performance in real-time control applications such as industrial motor drives; solar inverters and digital power; electrical vehicles and transportation; motor control; and sensing and signal processing. The C2000 line includes the Premium performance MCUs and the Entry performance MCUs.

The F2803x family of microcontrollers provides the power of the C28x core and Control Law Accelerator (CLA) coupled with highly integrated control peripherals in low pin-count devices. This family is code-compatible with previous C28x-based code, and also provides a high level of analog integration.

An internal voltage regulator allows for single-rail operation. Enhancements have been made to the HRPWM to allow for dual-edge control (frequency modulation). Analog comparators with internal 10-bit references have been added and can be routed directly to control the PWM outputs. The ADC converts from 0 to 3.3V fixed full-scale range and supports ratio-metric V_{REFHI}/V_{REFLO} references. The ADC interface has been optimized for low overhead and latency.

To learn more about the C2000 MCUs, visit the [C2000™ real-time control MCUs](#) page.

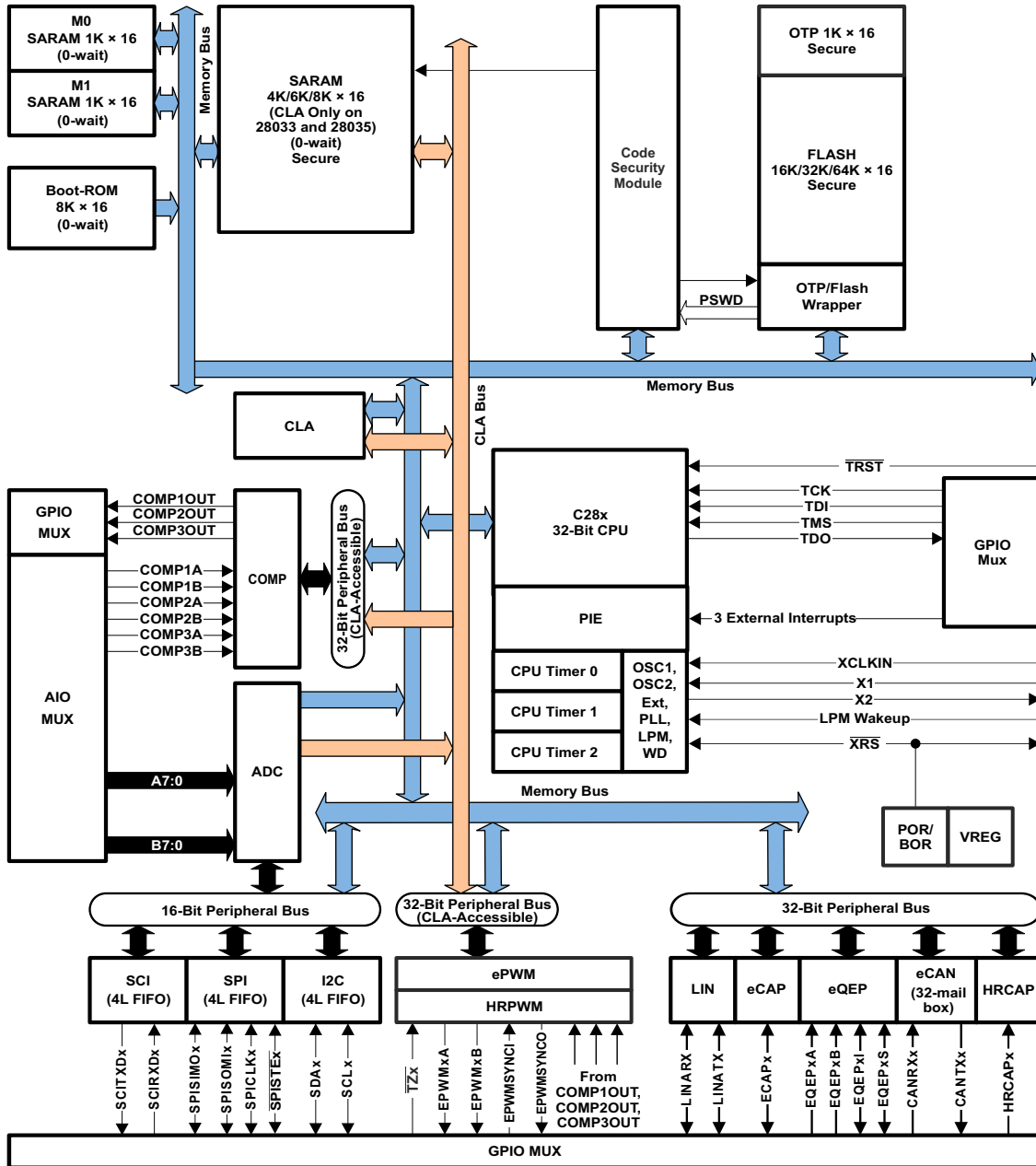
Device Information

| PART NUMBER ⁽¹⁾ | PACKAGE | BODY SIZE |
|----------------------------|-----------|-----------------|
| TMS320F28035PN | LQFP (80) | 12.0mm × 12.0mm |
| TMS320F28034PN | LQFP (80) | 12.0mm × 12.0mm |
| TMS320F28033PN | LQFP (80) | 12.0mm × 12.0mm |
| TMS320F28032PN | LQFP (80) | 12.0mm × 12.0mm |
| TMS320F28031PN | LQFP (80) | 12.0mm × 12.0mm |
| TMS320F28030PN | LQFP (80) | 12.0mm × 12.0mm |
| TMS320F28035PAG | TQFP (64) | 10.0mm × 10.0mm |
| TMS320F28034PAG | TQFP (64) | 10.0mm × 10.0mm |
| TMS320F28033PAG | TQFP (64) | 10.0mm × 10.0mm |
| TMS320F28032PAG | TQFP (64) | 10.0mm × 10.0mm |
| TMS320F28031PAG | TQFP (64) | 10.0mm × 10.0mm |
| TMS320F28030PAG | TQFP (64) | 10.0mm × 10.0mm |
| TMS320F28035RSH | VQFN (56) | 7.0mm × 7.0mm |
| TMS320F28034RSH | VQFN (56) | 7.0mm × 7.0mm |
| TMS320F28033RSH | VQFN (56) | 7.0mm × 7.0mm |
| TMS320F28032RSH | VQFN (56) | 7.0mm × 7.0mm |
| TMS320F28031RSH | VQFN (56) | 7.0mm × 7.0mm |
| TMS320F28030RSH | VQFN (56) | 7.0mm × 7.0mm |

(1) For more information on these devices, see [Mechanical, Packaging, and Orderable Information](#).

3.1 Functional Block Diagram

The [Functional Block Diagram](#) shows the functional block diagram for the device.



A. Not all peripheral pins are available at the same time due to multiplexing.

Figure 3-1. Functional Block Diagram

Table of Contents

| | | | |
|--|-----------|---|------------|
| 1 Features | 1 | 7 Detailed Description | 40 |
| 2 Applications | 2 | 7.1 Overview..... | 40 |
| 3 Description | 2 | 7.2 Memory Maps..... | 48 |
| 3.1 Functional Block Diagram..... | 4 | 7.3 Register Maps..... | 55 |
| 4 Device Comparison | 6 | 7.4 Device Emulation Registers..... | 57 |
| 4.1 Related Products..... | 8 | 7.5 VREG/BOR/POR..... | 58 |
| 5 Pin Configuration and Functions | 9 | 7.6 System Control..... | 60 |
| 5.1 Pin Diagrams..... | 9 | 7.7 Low-power Modes Block..... | 68 |
| 5.2 Signal Descriptions..... | 12 | 7.8 Interrupts..... | 69 |
| 6 Specifications | 20 | 7.9 Peripherals..... | 74 |
| 6.1 Absolute Maximum Ratings..... | 20 | 8 Applications, Implementation, and Layout | 141 |
| 6.2 ESD Ratings – Automotive..... | 20 | 8.1 TI Reference Design..... | 141 |
| 6.3 ESD Ratings – Commercial..... | 21 | 9 Device and Documentation Support | 142 |
| 6.4 Recommended Operating Conditions..... | 21 | 9.1 Device and Development Support Tool | |
| 6.5 Power Consumption Summary..... | 22 | Nomenclature..... | 142 |
| 6.6 Electrical Characteristics..... | 26 | 9.2 Tools and Software..... | 143 |
| 6.7 Thermal Resistance Characteristics..... | 27 | 9.3 Documentation Support..... | 144 |
| 6.8 Thermal Design Considerations..... | 29 | 9.4 Support Resources..... | 145 |
| 6.9 JTAG Debug Probe Connection Without Signal | | 9.5 Trademarks..... | 145 |
| Buffering for the MCU..... | 30 | 9.6 Electrostatic Discharge Caution..... | 145 |
| 6.10 Parameter Information..... | 31 | 9.7 Glossary..... | 145 |
| 6.11 Test Load Circuit..... | 31 | 10 Revision History | 145 |
| 6.12 Power Sequencing..... | 32 | 11 Mechanical, Packaging, and Orderable | |
| 6.13 Clock Specifications..... | 35 | Information | 147 |
| 6.14 Flash Timing..... | 38 | 11.1 Packaging Information..... | 147 |

4 Device Comparison

Table 4-1 lists the features of the TMS320F2803x devices.

Table 4-1. Device Comparison

| FEATURE | TYPE (1) | 28030 28030-Q1 (60 MHz) | | | 28031 28031-Q1 (60 MHz) | | | 28032 28032-Q1 (60 MHz) | | | 28033 28033-Q1 (60 MHz) | | | 28034 28034-Q1 (60 MHz) | | | 28035 28035-Q1 (60 MHz) | | |
|---|----------------------|-------------------------------|---------------------------|---------------------------|-------------------------------|---------------------------|---------------------------|-------------------------------|---------------------------|---------------------------|-------------------------------|---------------------------|---------------------------|-------------------------------|---------------------------|---------------------------|-------------------------------|---------------------------|---------------------------|
| | | 80- Pin PN LQFP | 64- Pin PAG TQFP | 56- Pin RSH VQFN | 80- Pin PN LQFP | 64- Pin PAG TQFP | 56- Pin RSH VQFN | 80- Pin PN LQFP | 64- Pin PAG TQFP | 56- Pin RSH VQFN | 80- Pin PN LQFP | 64- Pin PAG TQFP | 56- Pin RSH VQFN | 80- Pin PN LQFP | 64- Pin PAG TQFP | 56- Pin RSH VQFN | 80- Pin PN LQFP | 64- Pin PAG TQFP | 56- Pin RSH VQFN |
| Instruction cycle | – | 16.67 ns | | | 16.67 ns | | | 16.67 ns | | | 16.67 ns | | | 16.67 ns | | | 16.67 ns | | |
| Control Law Accelerator (CLA) | 0 | No | | | No | | | No | | | Yes | | | No | | | Yes | | |
| On-chip flash (16-bit word) | – | 16K | | | 32K | | | 32K | | | 32K | | | 64K | | | 64K | | |
| On-chip SARAM (16-bit word) | – | 6K | | | 8K | | | 10K | | | 10K | | | 10K | | | 10K | | |
| Code security for on-chip flash/SARAM/OTP blocks | – | Yes | | | Yes | | | Yes | | | Yes | | | Yes | | | Yes | | |
| Boot ROM (8K x 16) | – | Yes | | | Yes | | | Yes | | | Yes | | | Yes | | | Yes | | |
| One-time programmable (OTP) ROM (16-bit word) | – | 1K | | | 1K | | | 1K | | | 1K | | | 1K | | | 1K | | |
| ePWM channels | 1 | 14 | 12 | 8 | 14 | 12 | 8 | 14 | 12 | 8 | 14 | 12 | 8 | 14 | 12 | 8 | 14 | 12 | 8 |
| eCAP inputs | 0 | 1 | | | 1 | | | 1 | | | 1 | | | 1 | | | 1 | | |
| eQEP modules | 0 | 1 | | | 1 | | | 1 | | | 1 | | | 1 | | | 1 | | |
| Watchdog timer | – | Yes | | | Yes | | | Yes | | | Yes | | | Yes | | | Yes | | |
| 12-Bit ADC | MSPS | 2.0 | | | 2.0 | | | 4.6 | | | 4.6 | | | 4.6 | | | 4.6 | | |
| | Conversion Time | 500.00 ns | | | 500.00 ns | | | 216.67 ns | | | 216.67 ns | | | 216.67 ns | | | 216.67 ns | | |
| | Channels | 16 | 14 | 13 | 16 | 14 | 13 | 16 | 14 | 13 | 16 | 14 | 13 | 16 | 14 | 13 | 16 | 14 | 13 |
| | Temperature Sensor | Yes | | | Yes | | | Yes | | | Yes | | | Yes | | | Yes | | |
| | Dual Sample-and-Hold | Yes | | | Yes | | | Yes | | | Yes | | | Yes | | | Yes | | |
| 32-Bit CPU timers | – | 3 | | | 3 | | | 3 | | | 3 | | | 3 | | | 3 | | |
| High-resolution ePWM Channels | 1 | – | | | – | | | 7 | 6 | 4 | 7 | 6 | 4 | 7 | 6 | 4 | 7 | 6 | 4 |
| High-resolution Capture (HRCAP) Modules | 0 | – | | | – | | | 2 | 2 | – | 2 | 2 | – | 2 | 2 | – | 2 | 2 | – |
| Comparators with Integrated DACs | 0 | 3 | | | 3 | | | 3 | | | 3 | | | 3 | | | 3 | | |
| Inter-integrated circuit (I2C) | 0 | 1 | | | 1 | | | 1 | | | 1 | | | 1 | | | 1 | | |
| Enhanced Controller Area Network (eCAN) | 0 | 1 | | | 1 | | | 1 | | | 1 | | | 1 | | | 1 | | |
| Local Interconnect Network (LIN) | 0 | 1 | | | 1 | | | 1 | | | 1 | | | 1 | | | 1 | | |
| Serial Peripheral Interface (SPI) | 1 | 2 | 1 | 1 | 2 | 1 | 1 | 2 | 1 | 1 | 2 | 1 | 1 | 2 | 1 | 1 | 2 | 1 | 1 |
| Serial Communications Interface (SCI) (UART Compatible) | 0 | 1 | | | 1 | | | 1 | | | 1 | | | 1 | | | 1 | | |
| I/O pins (shared) | GPIO | 45 | 33 | 26 | 45 | 33 | 26 | 45 | 33 | 26 | 45 | 33 | 26 | 45 | 33 | 26 | 45 | 33 | 26 |
| | AIO | 6 | | | 6 | | | 6 | | | 6 | | | 6 | | | 6 | | |
| External interrupts | – | 3 | | | 3 | | | 3 | | | 3 | | | 3 | | | 3 | | |
| Supply voltage (nominal) | – | 3.3 V | | | 3.3 V | | | 3.3 V | | | 3.3 V | | | 3.3 V | | | 3.3 V | | |

Table 4-1. Device Comparison (continued)

| FEATURE | | TYPE (1) | 28030 28030-Q1 (60 MHz) | | | 28031 28031-Q1 (60 MHz) | | | 28032 28032-Q1 (60 MHz) | | | 28033 28033-Q1 (60 MHz) | | | 28034 28034-Q1 (60 MHz) | | | 28035 28035-Q1 (60 MHz) | | |
|---------------------|----------------------------------|-------------|-------------------------------|---------------------------|---------------------------|-------------------------------|---------------------------|---------------------------|-------------------------------|---------------------------|---------------------------|-------------------------------|---------------------------|---------------------------|-------------------------------|---------------------------|---------------------------|-------------------------------|---------------------------|---------------------------|
| | | | 80- Pin PN LQFP | 64- Pin PAG TQFP | 56- Pin RSH VQFN | 80- Pin PN LQFP | 64- Pin PAG TQFP | 56- Pin RSH VQFN | 80- Pin PN LQFP | 64- Pin PAG TQFP | 56- Pin RSH VQFN | 80- Pin PN LQFP | 64- Pin PAG TQFP | 56- Pin RSH VQFN | 80- Pin PN LQFP | 64- Pin PAG TQFP | 56- Pin RSH VQFN | 80- Pin PN LQFP | 64- Pin PAG TQFP | 56- Pin RSH VQFN |
| Temperature options | T: -40°C to 105°C | – | 28030 | | | 28031 | | | 28032 | | | 28033 | | | 28034 | | | 28035 | | |
| | S: -40°C to 125°C | – | 28030 | | | 28031 | | | 28032 | | | 28033 | | | 28034 | | | 28035 | | |
| | Q: -40°C to 125°C ⁽²⁾ | – | 28030-Q1 | | – | 28031-Q1 | | – | 28032-Q1 | | – | 28033-Q1 | | – | 28034-Q1 | | – | 28035-Q1 | | – |

- (1) A type change represents a major functional feature difference in a peripheral module. Within a peripheral type, there may be minor differences between devices that do not affect the basic functionality of the module. These device-specific differences are listed in the [C2000 Real-Time Control Peripherals Reference Guide](#) and in the [TMS320F2803x Real-Time Microcontrollers Technical Reference Manual](#).
- (2) The letter Q refers to AEC Q100 qualification for automotive applications.

4.1 Related Products

For information about similar products, see the following links:

[TMS320F2802x Real-Time Microcontrollers](#)

The F2802x series offers the lowest pin-count and Flash memory size options. InstaSPIN-FOC™ versions are available.

[TMS320F2803x Real-Time Microcontrollers](#)

The F2803x series increases the pin-count and memory size options. The F2803x series also introduces the parallel control law accelerator (CLA) option.

[TMS320F2805x Real-Time Microcontrollers](#)

The F2805x series is similar to the F2803x series but adds on-chip programmable gain amplifiers (PGAs). InstaSPIN-FOC and InstaSPIN-MOTION™ versions are available.

[TMS320F2806x Real-Time Microcontrollers](#)

The F2806x series is the first to include a floating-point unit (FPU). The F2806x series also increases the pin-count, memory size options, and the quantity of peripherals. InstaSPIN-FOC™ and InstaSPIN-MOTION™ versions are available.

[TMS320F2807x Real-Time Microcontrollers](#)

The F2807x series offers the most performance, largest pin counts, flash memory sizes, and peripheral options. The F2807x series includes the latest generation of accelerators, ePWM peripherals, and analog technology.

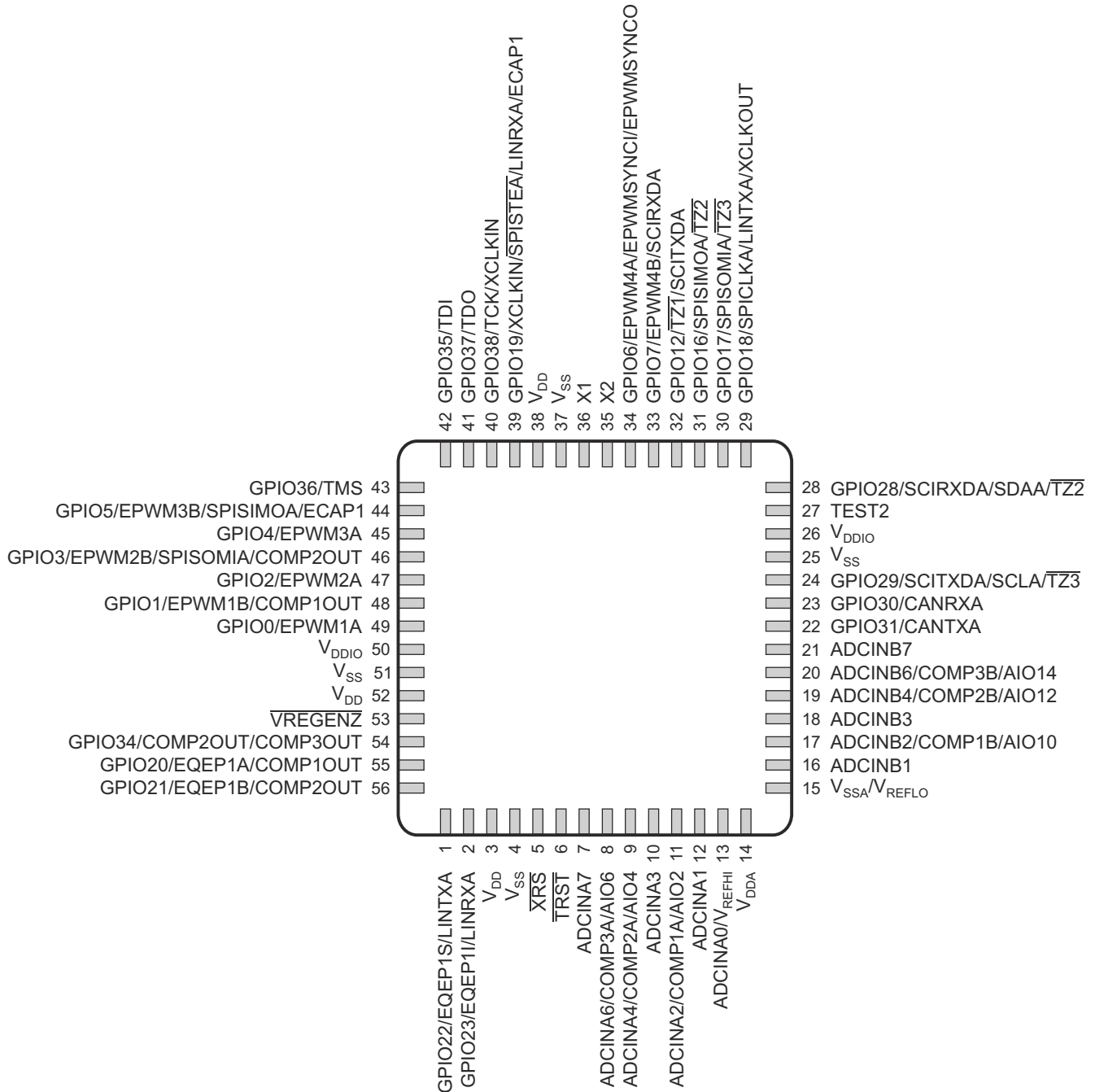
[TMS320F28004x Real-Time Microcontrollers](#)

The F28004x series is a reduced version of the F2807x series with the latest generational enhancements. The F28004x series is the best roadmap option for those using the F2806x series. InstaSPIN-FOC and configurable logic block (CLB) versions are available.

5 Pin Configuration and Functions

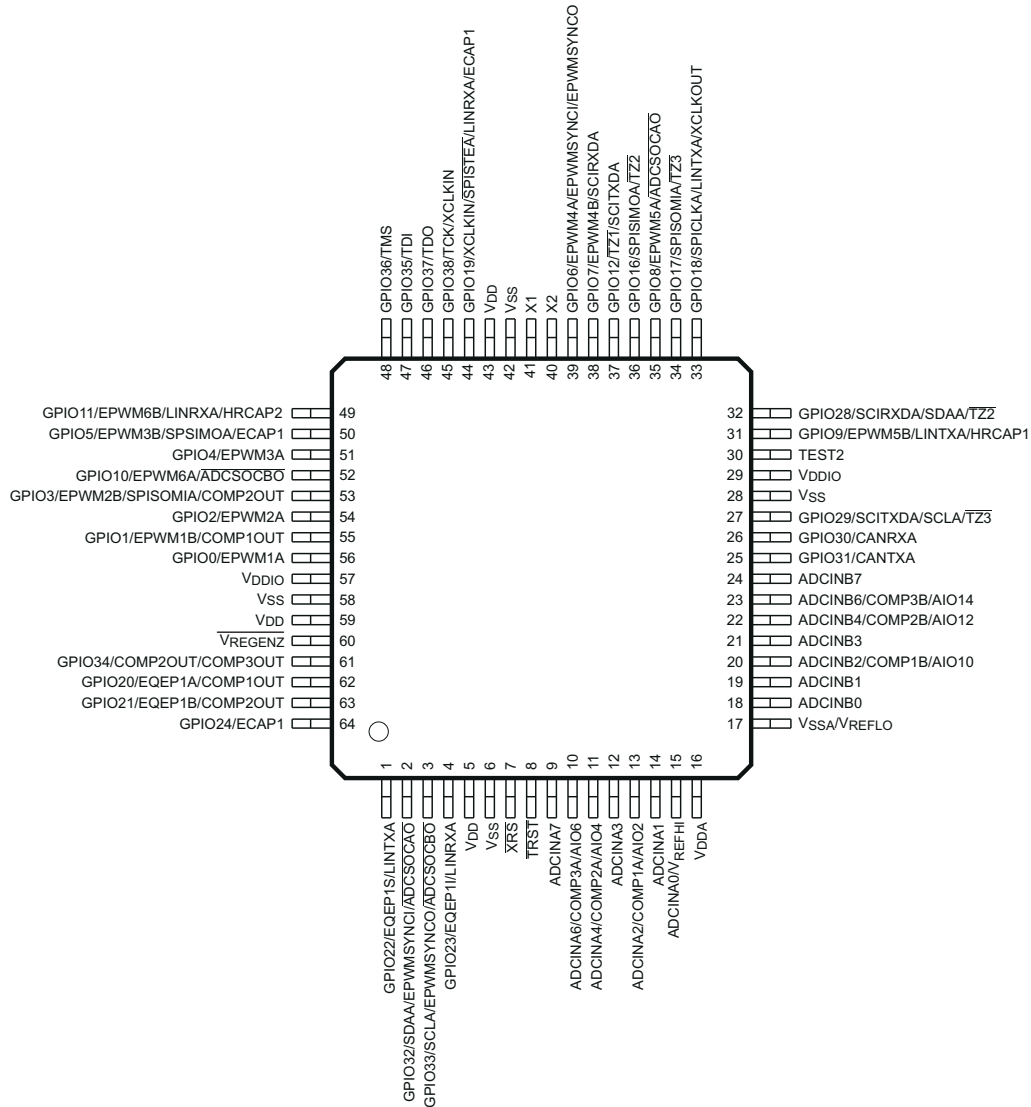
5.1 Pin Diagrams

Figure 5-1 shows the 56-pin RSH Very Thin Quad Flatpack (No Lead) (VQFN) pin assignments. Figure 5-2 shows the 64-pin PAG Thin Quad Flatpack (TQFP) pin assignments. Figure 5-3 shows the 80-pin PN Low-Profile Quad Flatpack (LQFP) pin assignments.



- A. This figure shows the top view of the 56-pin RSH package. Shading denotes that the terminals are actually on the bottom side of the package. See Section 11 for the 56-pin RSH mechanical drawing.
- B. Pin 13: V_{REFHI} and ADCINA0 share the same pin on the 56-pin RSH device and their use is mutually exclusive to one another.
- C. Pin 15: V_{REFLO} is always connected to V_{SSA} on the 56-pin RSH device.

Figure 5-1. 2803x 56-Pin RSH VQFN (Top View)



- A. Pin 15: V_{REFHI} and ADCINA0 share the same pin on the 64-pin PAG device and their use is mutually exclusive to one another.
- B. Pin 17: V_{REFLO} is always connected to V_{SSA} on the 64-pin PAG device.

Figure 5-2. 2803x 64-Pin PAG TQFP (Top View)

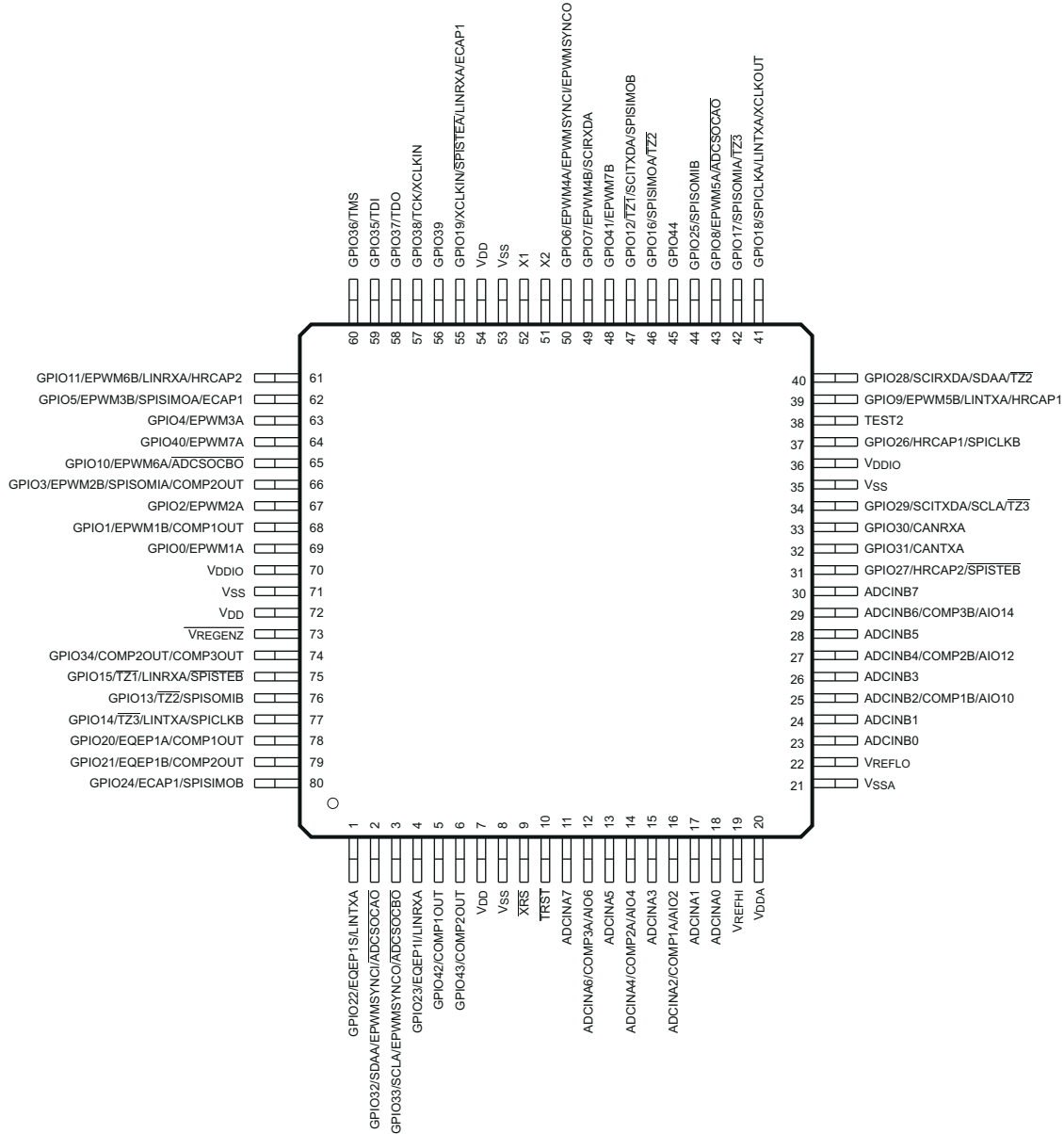


Figure 5-3. 2803x 80-Pin PN LQFP (Top View)

5.2 Signal Descriptions

Table 5-1 describes the signals. With the exception of the JTAG pins, the GPIO function is the default at reset, unless otherwise mentioned. The peripheral signals that are listed under them are alternate functions. Some peripheral functions may not be available in all devices. See Table 4-1 for details. Inputs are not 5-V tolerant. All GPIO pins are I/O/Z and have an internal pullup, which can be selectively enabled/disabled on a per-pin basis. This feature only applies to the GPIO pins. The pullups on the PWM pins are not enabled at reset. The pullups on other GPIO pins are enabled upon reset. The AIO pins do not have an internal pullup.

Note

When the on-chip VREG is used, the GPIO19, GPIO34, GPIO35, GPIO36, GPIO37, and GPIO38 pins could glitch during power up. This potential glitch will finish before the boot mode pins are read and will not affect boot behavior. If glitching is unacceptable in an application, 1.8 V could be supplied externally. Alternatively, adding a current-limiting resistor (for example, 470 Ω) in series with these pins and any external driver could be considered to limit the potential for degradation to the pin and/or external circuitry. There is no power-sequencing requirement when using an external 1.8-V supply. However, if the 3.3-V transistors in the level-shifting output buffers of the I/O pins are powered before the 1.8-V transistors, it is possible for the output buffers to turn on, causing a glitch to occur on the pin during power up. To avoid this behavior, power the V_{DD} pins before or with the V_{DDIO} pins, ensuring that the V_{DD} pins have reached 0.7 V before the V_{DDIO} pins reach 0.7 V.

Table 5-1. Signal Descriptions

| TERMINAL | | | | I/O/Z ⁽¹⁾ | DESCRIPTION |
|--------------------------|------------|-------------|-------------|----------------------|---|
| NAME | PN PIN NO. | PAG PIN NO. | RSH PIN NO. | | |
| JTAG | | | | | |
| $\overline{\text{TRST}}$ | 10 | 8 | 6 | I | JTAG test reset with internal pulldown. $\overline{\text{TRST}}$, when driven high, gives the scan system control of the operations of the device. If this signal is not connected or driven low, the device operates in its functional mode, and the test reset signals are ignored. NOTE: $\overline{\text{TRST}}$ is an active high test pin and must be maintained low at all times during normal device operation. An external pulldown resistor is required on this pin. The value of this resistor should be based on drive strength of the debugger pods applicable to the design. A 2.2-kΩ resistor generally offers adequate protection. Because this is application-specific, TI recommends validating each target board for proper operation of the debugger and the application. (↓) |
| TCK | See GPIO38 | | | I | See GPIO38. JTAG test clock with internal pullup. (↑) |
| TMS | See GPIO36 | | | I | See GPIO36. JTAG test-mode select (TMS) with internal pullup. This serial control input is clocked into the TAP controller on the rising edge of TCK. (↑) |
| TDI | See GPIO35 | | | I | See GPIO35. JTAG test data input (TDI) with internal pullup. TDI is clocked into the selected register (instruction or data) on a rising edge of TCK. (↑) |
| TDO | See GPIO37 | | | O/Z | See GPIO37. JTAG scan out, test data output (TDO). The contents of the selected register (instruction or data) are shifted out of TDO on the falling edge of TCK. (8 mA drive) |
| FLASH | | | | | |
| TEST2 | 38 | 30 | 27 | I/O | Test Pin. Reserved for TI. Must be left unconnected. |

Table 5-1. Signal Descriptions (continued)

| TERMINAL | | | | I/O/Z ⁽¹⁾ | DESCRIPTION |
|------------------------------------|-----------------------|-------------|-------------|----------------------|--|
| NAME | PN PIN NO. | PAG PIN NO. | RSH PIN NO. | | |
| CLOCK | | | | | |
| XCLKOUT | See GPIO18 | | – | O/Z | See GPIO18. Output clock derived from SYSCLKOUT. XCLKOUT is either the same frequency, one-half the frequency, or one-fourth the frequency of SYSCLKOUT. This is controlled by bits 1:0 (XCLKOUTDIV) in the XCLK register. At reset, XCLKOUT = SYSCLKOUT/4. The XCLKOUT signal can be turned off by setting XCLKOUTDIV to 3. The mux control for GPIO18 must also be set to XCLKOUT for this signal to propagate to the pin. |
| XCLKIN | See GPIO19 and GPIO38 | | | I | See GPIO19 and GPIO38. External oscillator input. Pin source for the clock is controlled by the XCLKINSEL bit in the XCLK register. GPIO38 is the default selection. This pin feeds a clock from an external 3.3-V oscillator. In this case, the X1 pin, if available, must be tied to GND and the on-chip crystal oscillator must be disabled through bit 14 in the CLKCTL register. If a crystal/resonator is used, the XCLKIN path must be disabled by bit 13 in the CLKCTL register. NOTE: Designs that use the GPIO38/TCK/XCLKIN pin to supply an external clock for normal device operation may need to incorporate some hooks to disable this path during debug using the JTAG connector. This is to prevent contention with the TCK signal, which is active during JTAG debug sessions. The zero-pin internal oscillators may be used during this time to clock the device. |
| X1 | 52 | 41 | 36 | I | On-chip 1.8-V crystal-oscillator input. To use this oscillator, a quartz crystal or a ceramic resonator must be connected across X1 and X2. In this case, the XCLKIN path must be disabled by bit 13 in the CLKCTL register. If this pin is not used, it must be tied to GND. (I) |
| X2 | 51 | 40 | 35 | O | On-chip crystal-oscillator output. A quartz crystal or a ceramic resonator must be connected across X1 and X2. If X2 is not used, it must be left unconnected. (O) |
| RESET | | | | | |
| $\overline{\text{XRS}}$ | 9 | 7 | 5 | I/O | Device Reset (in) and Watchdog Reset (out). These devices have a built-in power-on reset (POR) and brown-out reset (BOR) circuitry. During a power-on or brown-out condition, this pin is driven low by the device. An external circuit may also drive this pin to assert a device reset. This pin is also driven low by the MCU when a watchdog reset occurs. During watchdog reset, the $\overline{\text{XRS}}$ pin is driven low for the watchdog reset duration of 512 OSCCLK cycles. A resistor with a value from 2.2 k Ω to 10 k Ω should be placed between $\overline{\text{XRS}}$ and V _{DDIO} . If a capacitor is placed between $\overline{\text{XRS}}$ and V _{SS} for noise filtering, it should be 100 nF or smaller. These values will allow the watchdog to properly drive the $\overline{\text{XRS}}$ pin to V _{OL} within 512 OSCCLK cycles when the watchdog reset is asserted. Regardless of the source, a device reset causes the device to terminate execution. The program counter points to the address contained at the location 0x3F FFC0. When reset is deactivated, execution begins at the location designated by the program counter. The output buffer of this pin is an open-drain device with an internal pullup. (†) If this pin is driven by an external device, it should be done using an open-drain device. |
| ADC, COMPARATOR, ANALOG I/O | | | | | |
| ADCINA7 | 11 | 9 | 7 | I | ADC Group A, Channel 7 input |
| ADCINA6 | | | | I | ADC Group A, Channel 6 input |
| COMP3A | 12 | 10 | 8 | I | Comparator Input 3A |
| AIO6 | | | | I/O | Digital AIO 6 |
| ADCINA5 | 13 | – | – | I | ADC Group A, Channel 5 input |
| ADCINA4 | | | | I | ADC Group A, Channel 4 input |
| COMP2A | 14 | 11 | 9 | I | Comparator Input 2A |
| AIO4 | | | | I/O | Digital AIO 4 |
| ADCINA3 | 15 | 12 | 10 | I | ADC Group A, Channel 3 input |
| ADCINA2 | | | | I | ADC Group A, Channel 2 input |
| COMP1A | 16 | 13 | 11 | I | Comparator Input 1A |
| AIO2 | | | | I/O | Digital AIO 2 |

Table 5-1. Signal Descriptions (continued)

| TERMINAL | | | | I/O/Z ⁽¹⁾ | DESCRIPTION |
|--------------------------|------------|-------------|-------------|----------------------|--|
| NAME | PN PIN NO. | PAG PIN NO. | RSH PIN NO. | | |
| ADCINA1 | 17 | 14 | 12 | I | ADC Group A, Channel 1 input |
| ADCINA0 | 18 | 15 | 13 | I | ADC Group A, Channel 0 input. NOTE: V _{REFHI} and ADCINA0 share the same pin on the 64-pin PAG device and their use is mutually exclusive to one another. NOTE: V _{REFHI} and ADCINA0 share the same pin on the 56-pin RSH device and their use is mutually exclusive to one another. |
| V _{REFHI} | 19 | 15 | 13 | I | ADC External Reference High – only used when in ADC external reference mode. See Section 7.9.2.1, ADC. NOTE: V _{REFHI} and ADCINA0 share the same pin on the 64-pin PAG device and their use is mutually exclusive to one another. NOTE: V _{REFHI} and ADCINA0 share the same pin on the 56-pin RSH device and their use is mutually exclusive to one another. |
| ADCINB7 | 30 | 24 | 21 | I | ADC Group B, Channel 7 input |
| ADCINB6 | | | | I | ADC Group B, Channel 6 input |
| COMP3B | 29 | 23 | 20 | I | Comparator Input 3B |
| AIO14 | | | | I/O | Digital AIO 14 |
| ADCINB5 | 28 | – | – | I | ADC Group B, Channel 5 input |
| ADCINB4 | | | | I | ADC Group B, Channel 4 input |
| COMP2B | 27 | 22 | 19 | I | Comparator Input 2B |
| AIO12 | | | | I/O | Digital AIO12 |
| ADCINB3 | 26 | 21 | 18 | I | ADC Group B, Channel 3 input |
| ADCINB2 | | | | I | ADC Group B, Channel 2 input |
| COMP1B | 25 | 20 | 17 | I | Comparator Input 1B |
| AIO10 | | | | I/O | Digital AIO 10 |
| ADCINB1 | 24 | 19 | 16 | I | ADC Group B, Channel 1 input |
| ADCINB0 | 23 | 18 | – | I | ADC Group B, Channel 0 input |
| V _{REFLO} | 22 | 17 | 15 | I | ADC External Reference Low. NOTE: V _{REFLO} is always connected to V _{SSA} on the 64-pin PAG device and on the 56-pin RSH device. |
| CPU AND I/O POWER | | | | | |
| V _{DDA} | 20 | 16 | 14 | | Analog Power Pin. Tie with a 2.2-μF capacitor (typical) close to the pin. |
| V _{SSA} | 21 | 17 | 15 | | Analog Ground Pin. NOTE: V _{REFLO} is always connected to V _{SSA} on the 64-pin PAG device and on the 56-pin RSH device. |
| V _{DD} | 7 | 5 | 3 | | CPU and Logic Digital Power Pins. When using internal VREG, place one 1.2-μF capacitor between each V _{DD} pin and ground. Higher value capacitors may be used. |
| | 54 | 43 | 38 | | |
| | 72 | 59 | 52 | | |
| V _{DDIO} | 36 | 29 | 26 | | Digital I/O Buffers and Flash Memory Power Pin. Single supply source when VREG is enabled. Place a decoupling capacitor on each pin. The exact value should be determined by the system voltage regulation solution. |
| | 70 | 57 | 50 | | |
| V _{SS} | 8 | 6 | 4 | | Digital Ground Pins |
| | 35 | 28 | 25 | | |
| | 53 | 42 | 37 | | |
| | 71 | 58 | 51 | | |

Table 5-1. Signal Descriptions (continued)

| TERMINAL | | | | I/O/Z ⁽¹⁾ | DESCRIPTION |
|---|---------------|----------------|----------------|----------------------|--|
| NAME | PN PIN NO. | PAG PIN NO. | RSH PIN NO. | | |
| VOLTAGE REGULATOR CONTROL SIGNAL | | | | | |
| VREGENZ | 73 | 60 | 53 | I | Internal voltage regulator (VREG) enable with internal pulldown. Tie directly to VSS (low) to enable the internal 1.8-V VREG. Tie directly to VDDIO (high) to disable the VREG and use an external 1.8-V supply. |
| GPIO AND PERIPHERAL SIGNALS ⁽²⁾ | | | | | |
| GPIO0 | | | | I/O/Z | General-purpose input/output 0 |
| EPWM1A | 69 | 56 | 49 | O | Enhanced PWM1 Output A and HRPWM channel |
| – | | | | – | |
| – | | | | – | |
| GPIO1 | | | | I/O/Z | General-purpose input/output 1 |
| EPWM1B | 68 | 55 | 48 | O | Enhanced PWM1 Output B |
| – | | | | – | |
| COMP1OUT | | | | O | Direct output of Comparator 1 |
| GPIO2 | | | | I/O/Z | General-purpose input/output 2 |
| EPWM2A | 67 | 54 | 47 | O | Enhanced PWM2 Output A and HRPWM channel |
| – | | | | – | |
| – | | | | – | |
| GPIO3 | | | | I/O/Z | General-purpose input/output 3 |
| EPWM2B | 66 | 53 | 46 | O | Enhanced PWM2 Output B |
| SPISOMIA | | | | I/O | SPI-A slave out, master in |
| COMP2OUT | | | | O | Direct output of Comparator 2 |
| – | | | | – | |
| GPIO4 | | | | I/O/Z | General-purpose input/output 4 |
| EPWM3A | 63 | 51 | 45 | O | Enhanced PWM3 output A and HRPWM channel |
| – | | | | – | |
| – | | | | – | |
| GPIO5 | | | | I/O/Z | General-purpose input/output 5 |
| EPWM3B | 62 | 50 | 44 | O | Enhanced PWM3 output B |
| SPISIMOA | | | | I/O | SPI-A slave in, master out |
| ECAP1 | | | | I/O | Enhanced Capture input/output 1 |
| – | | | | – | |
| GPIO6 | | | | I/O/Z | General-purpose input/output 6 |
| EPWM4A | 50 | 39 | 34 | O | Enhanced PWM4 output A and HRPWM channel |
| EPWMSYNCI | | | | I | External ePWM sync pulse input |
| EPWMSYNCO | | | | O | External ePWM sync pulse output |
| GPIO7 | | | | I/O/Z | General-purpose input/output 7 |
| EPWM4B | 49 | 38 | 33 | O | Enhanced PWM4 output B |
| SCIRXDA | | | | I | SCI-A receive data |
| – | | | | – | |
| GPIO8 | | | | I/O/Z | General-purpose input/output 8 |
| EPWM5A | 43 | 35 | – | O | Enhanced PWM5 output A and HRPWM channel |
| – | | | | – | |
| ADCSOAO | | | | O | ADC start-of-conversion A |

Table 5-1. Signal Descriptions (continued)

| TERMINAL | | | | I/O/Z ⁽¹⁾ | DESCRIPTION |
|---|---------------|----------------|----------------|------------------------|---|
| NAME | PN PIN NO. | PAG PIN NO. | RSH PIN NO. | | |
| GPIO9 EPWM5B LINTXA HRCAP1 | 39 | 31 | – | I/O/Z O O I | General-purpose input/output 9 Enhanced PWM5 output B LIN transmit A High-resolution input capture 1 |
| GPIO10 EPWM6A – ADCSOCBO | 65 | 52 | – | I/O/Z O O | General-purpose input/output 10 Enhanced PWM6 output A and HRPWM channel – ADC start-of-conversion B |
| GPIO11 EPWM6B LINRXA HRCAP2 | 61 | 49 | – | I/O/Z O I I | General-purpose input/output 11 Enhanced PWM6 output B LIN receive A High-resolution input capture 2 |
| GPIO12 TZ1 SCITXDA SPISIMOB | 47 | 37 | 32 | I/O/Z I O I/O | General-purpose input/output 12 Trip Zone input 1 SCI-A transmit data SPI-B slave in, master out. NOTE: SPI-B is available only in the PN package. |
| GPIO13 TZ2 – SPISOMIB | 76 | – | – | I/O/Z I I/O | General-purpose input/output 13 Trip Zone input 2 – SPI-B slave out, master in |
| GPIO14 TZ3 LINTXA SPICLKB | 77 | – | – | I/O/Z I O I/O | General-purpose input/output 14 Trip zone input 3 LIN transmit SPI-B clock input/output |
| GPIO15 TZ1 LINRXA SPISTEB | 75 | – | – | I/O/Z I I I/O | General-purpose input/output 15 Trip zone input 1 LIN receive SPI-B slave transmit enable input/output |
| GPIO16 SPISIMOA – TZ2 | 46 | 36 | 31 | I/O/Z I/O I | General-purpose input/output 16 SPI-A slave in, master out – Trip Zone input 2 |
| GPIO17 SPISOMIA – TZ3 | 42 | 34 | 30 | I/O/Z I/O I | General-purpose input/output 17 SPI-A slave out, master in – Trip zone input 3 |

Table 5-1. Signal Descriptions (continued)

| TERMINAL | | | | I/O/Z ⁽¹⁾ | DESCRIPTION |
|---|---------------|----------------|------------------------------------|------------------------------|---|
| NAME | PN PIN NO. | PAG PIN NO. | RSH PIN NO. | | |
| GPIO18 SPICLKA LINTXA XCLKOUT | 41 | 33 | 29 | I/O/Z I/O O O/Z | General-purpose input/output 18 SPI-A clock input/output LIN transmit Output clock derived from SYSCLKOUT. XCLKOUT is either the same frequency, one-half the frequency, or one-fourth the frequency of SYSCLKOUT. This is controlled by bits 1:0 (XCLKOUTDIV) in the XCLK register. At reset, XCLKOUT = SYSCLKOUT/4. The XCLKOUT signal can be turned off by setting XCLKOUTDIV to 3. The mux control for GPIO18 must also be set to XCLKOUT for this signal to propagate to the pin. |
| GPIO19 XCLKIN SPISTEA LINRXA ECAP1 | 55 | 44 | 39 | I/O/Z I/O I I/O | General-purpose input/output 19 External Oscillator Input. The path from this pin to the clock block is not gated by the mux function of this pin. Care must be taken not to enable this path for clocking if it is being used for the other peripheral functions SPI-A slave transmit enable input/output LIN receive Enhanced Capture input/output 1 |
| GPIO20 EQEP1A – COMP1OUT | 78 | 62 | 55 | I/O/Z I O | General-purpose input/output 20 Enhanced QEP1 input A – Direct output of Comparator 1 |
| GPIO21 EQEP1B – COMP2OUT | 79 | 63 | 56 | I/O/Z I O | General-purpose input/output 21 Enhanced QEP1 input B – Direct output of Comparator 2 |
| GPIO22 EQEP1S – LINTXA | 1 | 1 | 1 | I/O/Z I/O O | General-purpose input/output 22 Enhanced QEP1 strobe – LIN transmit |
| GPIO23 EQEP1I – LINRXA | 4 | 4 | 2 | I/O/Z I/O I | General-purpose input/output 23 Enhanced QEP1 index – LIN receive |
| GPIO24 ECAP1 – SPISIMOB | 80 | 64 | – See GPIO5 and GPIO19 | I/O/Z I/O I/O | General-purpose input/output 24 Enhanced Capture input/output 1 – SPI-B slave in, master out. NOTE: SPI-B is available only in the PN and RSH packages. |
| GPIO25 – – SPISOMIB | 44 | – | – | I/O/Z – – I/O | General-purpose input/output 25 – – SPI-B slave out, master in |

Table 5-1. Signal Descriptions (continued)

| TERMINAL | | | | I/O/Z ⁽¹⁾ | DESCRIPTION |
|--|---------------|----------------|----------------|-------------------------|--|
| NAME | PN PIN NO. | PAG PIN NO. | RSH PIN NO. | | |
| GPI026 HRCAP1 – SPICLK _B | 37 | – | – | I/O/Z I – I/O | General-purpose input/output 26 High-resolution input capture 1 – SPI-B clock input/output |
| GPI027 HRCAP2 – SPISTEB _B | 31 | – | – | I/O/Z I – I/O | General-purpose input/output 27 High-resolution input capture 2 – SPI-B slave transmit enable input/output |
| GPI028 SCIRXDA SDAA TZ2 | 40 | 32 | 28 | I/O/Z I I/OD I | General-purpose input/output 28 SCI receive data I2C data open-drain bidirectional port Trip zone input 2 |
| GPI029 SCITXDA SCLA TZ3 | 34 | 27 | 24 | I/O/Z O I/OD I | General-purpose input/output 29 SCI transmit data I2C clock open-drain bidirectional port Trip zone input 3 |
| GPI030 CANRXA – – | 33 | 26 | 23 | I/O/Z I – – | General-purpose input/output 30 CAN receive – – |
| GPI031 CANTXA – – | 32 | 25 | 22 | I/O/Z O – – | General-purpose input/output 31 CAN transmit – – |
| GPI032 SDAA EPWMSYNCl ADCSOCA _O | 2 | 2 | – | I/O/Z I/OD I O | General-purpose input/output 32 I2C data open-drain bidirectional port Enhanced PWM external sync pulse input ADC start-of-conversion A |
| GPI033 SCLA EPWMSYNCO ADCSOCB _O | 3 | 3 | – | I/O/Z I/OD O O | General-Purpose Input/Output 33 I2C clock open-drain bidirectional port Enhanced PWM external synch pulse output ADC start-of-conversion B |
| GPI034 COMP2OUT – COMP3OUT | 74 | 61 | 54 | I/O/Z O – O | General-Purpose Input/Output 34 Direct output of Comparator 2 – Direct output of Comparator 3 |
| GPI035 TDI | 59 | 47 | 42 | I/O/Z I | General-Purpose Input/Output 35 JTAG test data input (TDI) with internal pullup. TDI is clocked into the selected register (instruction or data) on a rising edge of TCK |
| GPI036 TMS | 60 | 48 | 43 | I/O/Z I | General-Purpose Input/Output 36 JTAG test-mode select (TMS) with internal pullup. This serial control input is clocked into the TAP controller on the rising edge of TCK. |

Table 5-1. Signal Descriptions (continued)

| TERMINAL | | | | I/O/Z ⁽¹⁾ | DESCRIPTION |
|---------------|---------------|----------------|----------------|----------------------|---|
| NAME | PN PIN NO. | PAG PIN NO. | RSH PIN NO. | | |
| GPI037 | | | | I/O/Z | General-Purpose Input/Output 37 |
| TDO | 58 | 46 | 41 | O/Z | JTAG scan out, test data output (TDO). The contents of the selected register (instruction or data) are shifted out of TDO on the falling edge of TCK (8 mA drive) |
| GPI038 | | | | I/O/Z | General-Purpose Input/Output 38 |
| TCK | | | | I | JTAG test clock with internal pullup |
| XCLKIN | 57 | 45 | 40 | I | External Oscillator Input. The path from this pin to the clock block is not gated by the mux function of this pin. Care must be taken to not enable this path for clocking if it is being used for the other functions. |
| – | | | | | – |
| GPI039 | | | | I/O/Z | General-Purpose Input/Output 39 |
| – | 56 | – | – | | – |
| – | | | | | – |
| – | | | | | – |
| GPI040 | | | | I/O/Z | General-Purpose Input/Output 40 |
| EPWM7A | 64 | – | – | O | Enhanced PWM7 output A and HRPWM channel |
| – | | | | | – |
| – | | | | | – |
| GPI041 | | | | I/O/Z | General-Purpose Input/Output 41 |
| EPWM7B | 48 | – | – | O | Enhanced PWM7 output B |
| – | | | | | – |
| – | | | | | – |
| GPI042 | | | | I/O/Z | General-Purpose Input/Output 42 |
| – | 5 | – | – | | – |
| – | | | | | – |
| COMP1OUT | | | | O | Direct output of Comparator 1 |
| GPI043 | | | | I/O/Z | General-Purpose Input/Output 43 |
| – | 6 | – | – | | – |
| – | | | | | – |
| COMP2OUT | | | | O | Direct output of Comparator 2 |
| GPI044 | | | | I/O/Z | General-Purpose Input/Output 44 |
| – | 45 | – | – | | – |
| – | | | | | – |
| – | | | | | – |

- (1) I = Input, O = Output, Z = High Impedance, OD = Open Drain, ↑ = Pullup, ↓ = Pulldown
(2) The GPIO function (shown in bold italics) is the default at reset. The peripheral signals that are listed under them are alternate functions. For JTAG pins that have the GPIO functionality multiplexed, the input path to the GPIO block is always valid. The output path from the GPIO block and the path to the JTAG block from a pin is enabled/disabled based on the condition of the TRST signal. See the System Control chapter in the [TMS320F2803x Real-Time Microcontrollers Technical Reference Manual](#) for details.

6 Specifications

6.1 Absolute Maximum Ratings

over operating free-air temperature range (unless otherwise noted)^{(1) (2)}

| | | MIN | MAX | UNIT |
|-------------------------------------|---|------|-----|------|
| Supply voltage | V _{DDIO} (I/O and Flash) with respect to V _{SS} | -0.3 | 4.6 | V |
| | V _{DD} with respect to V _{SS} | -0.3 | 2.5 | |
| Analog voltage | V _{DDA} with respect to V _{SSA} | -0.3 | 4.6 | V |
| Input voltage | V _{IN} (3.3 V) | -0.3 | 4.6 | V |
| | V _{IN} (X1) | -0.3 | 2.5 | |
| Output voltage | V _O | -0.3 | 4.6 | V |
| Input clamp current | Digital/analog input (per pin), I _{IK} (V _{IN} < V _{SS} or V _{IN} > V _{DDIO}) ⁽³⁾ | -20 | 20 | mA |
| | Analog input (per pin), I _{IKANALOG} (V _{IN} < V _{SSA} or V _{IN} > V _{DDA}) | -20 | 20 | |
| | Total for all inputs, I _{IKTOTAL} (V _{IN} < V _{SS} /V _{SSA} or V _{IN} > V _{DDIO} /V _{DDA}) | -20 | 20 | |
| Output clamp current | I _{OK} (V _O < 0 or V _O > V _{DDIO}) | -20 | 20 | mA |
| Junction temperature ⁽⁴⁾ | T _J | -40 | 150 | °C |
| Storage temperature ⁽⁴⁾ | T _{stg} | -65 | 150 | °C |

- Stresses beyond those listed under *Absolute Maximum Ratings* may cause permanent damage to the device. These are stress ratings only, and functional operation of the device at these or any other conditions beyond those indicated under [Section 6.4](#) is not implied. Exposure to absolute-maximum-rated conditions for extended periods may affect device reliability.
- All voltage values are with respect to V_{SS}, unless otherwise noted.
- Continuous clamp current per pin is ±2 mA. Do not operate in this condition continuously as V_{DDIO}/V_{DDA} voltage may internally rise and impact other electrical specifications.
- Long-term high-temperature storage or extended use at maximum temperature conditions may result in a reduction of overall device life. For additional information, see [Semiconductor and IC Package Thermal Metrics](#); [Calculating Useful Lifetimes of Embedded Processors](#); and [Calculating FIT for a Mission Profile](#).

6.2 ESD Ratings – Automotive

| | | | VALUE | UNIT |
|--|---|--|-------|------|
| TMS320F2803x-Q1 in 80-pin PN package | | | | |
| V _(ESD) Electrostatic discharge | Human body model (HBM), per AEC Q100-002 ⁽¹⁾ | All pins | ±2000 | V |
| | | All pins except corner pins | ±500 | |
| | Charged device model (CDM), per AEC Q100-011 | Corner pins on 80-pin PN: 1, 20, 21, 40, 41, 60, 61, 80 | ±750 | |
| TMS320F2803x-Q1 in 64-pin PAG package | | | | |
| V _(ESD) Electrostatic discharge | Human body model (HBM), per AEC Q100-002 ⁽¹⁾ | All pins | ±2000 | V |
| | | All pins except corner pins | ±500 | |
| | Charged device model (CDM), per AEC Q100-011 | Corner pins on 64-pin PAG: 1, 16, 17, 32, 33, 48, 49, 64 | ±750 | |

- AEC Q100-002 indicates HBM stressing is done in accordance with the ANSI/ESDA/JEDEC JS-001 specification.

6.3 ESD Ratings – Commercial

| | | VALUE | UNIT |
|---|--|-------|------|
| TMS320F2803x in 80-pin PN package | | | |
| $V_{(ESD)}$ Electrostatic discharge | Human-body model (HBM), per ANSI/ESDA/JEDEC JS-001 ⁽¹⁾ | ±2000 | V |
| | Charged-device model (CDM), per JEDEC specification JESD22-C101 or ANSI/ESDA/JEDEC JS-002 ⁽²⁾ | ±500 | |
| TMS320F2803x in 64-pin PAG package | | | |
| $V_{(ESD)}$ Electrostatic discharge | Human-body model (HBM), per ANSI/ESDA/JEDEC JS-001 ⁽¹⁾ | ±2000 | V |
| | Charged-device model (CDM), per JEDEC specification JESD22-C101 or ANSI/ESDA/JEDEC JS-002 ⁽²⁾ | ±500 | |
| TMS320F2803x in 56-pin RSH package | | | |
| $V_{(ESD)}$ Electrostatic discharge | Human-body model (HBM), per ANSI/ESDA/JEDEC JS-001 ⁽¹⁾ | ±2000 | V |
| | Charged-device model (CDM), per JEDEC specification JESD22-C101 or ANSI/ESDA/JEDEC JS-002 ⁽²⁾ | ±500 | |

(1) JEDEC document JEP155 states that 500-V HBM allows safe manufacturing with a standard ESD control process.

(2) JEDEC document JEP157 states that 250-V CDM allows safe manufacturing with a standard ESD control process.

6.4 Recommended Operating Conditions

| | | MIN | NOM | MAX | UNIT |
|---|------------------------------------|----------------|-----|------------------|------|
| Device supply voltage, I/O, V_{DDIO} | | 2.97 | 3.3 | 3.63 | V |
| Device supply voltage CPU, V_{DD} (When internal VREG is disabled and 1.8 V is supplied externally) | | 1.71 | 1.8 | 1.995 | V |
| Supply ground, V_{SS} | | | 0 | | V |
| Analog supply voltage, V_{DDA} | | 2.97 | 3.3 | 3.63 | V |
| Analog ground, V_{SSA} | | | 0 | | V |
| Device clock frequency (system clock) | | 2 | | 60 | MHz |
| High-level input voltage, V_{IH} (3.3 V) | | 2 | | $V_{DDIO} + 0.3$ | V |
| Low-level input voltage, V_{IL} (3.3 V) | | $V_{SS} - 0.3$ | | 0.8 | V |
| High-level output source current, $V_{OH} = V_{OH(MIN)}, I_{OH}$ | All GPIO/AIO pins | | | -4 | mA |
| | Group 2 ⁽¹⁾ | | | -8 | mA |
| Low-level output sink current, $V_{OL} = V_{OL(MAX)}, I_{OL}$ | All GPIO/AIO pins | | | 4 | mA |
| | Group 2 ⁽¹⁾ | | | 8 | mA |
| Ambient temperature, T_A | T version | -40 | | 105 | °C |
| | S version | -40 | | 125 | |
| | Q version (AEC Q100 qualification) | -40 | | 125 | |
| Junction temperature, T_J | | -40 | | 150 | °C |

(1) Group 2 pins are as follows: GPIO16, GPIO17, GPIO18, GPIO19, GPIO28, GPIO29, GPIO36, GPIO37

6.5 Power Consumption Summary

6.5.1 TMS320F2803x Current Consumption at 60-MHz SYSCLKOUT

| MODE | TEST CONDITIONS | VREG ENABLED | | | | VREG DISABLED | | | | | |
|------------------------|--|----------------------------------|-----------------------|---------------------------------|-------|-----------------------|-----------------------|----------------------------------|--------|---------------------------------|-------|
| | | I _{DDIO} ⁽¹⁾ | | I _{DDA} ⁽²⁾ | | I _{DD} | | I _{DDIO} ⁽¹⁾ | | I _{DDA} ⁽²⁾ | |
| | | TYP ⁽³⁾ | MAX | TYP ⁽³⁾ | MAX | TYP ⁽³⁾ | MAX | TYP ⁽³⁾ | MAX | TYP ⁽³⁾ | MAX |
| Operational (Flash) | The following peripheral clocks are enabled: <ul style="list-style-type: none"> • ePWM1/2/3/4/5/6/7 • eCAP1 • eQEP1 • eCAN • LIN • CLA • HRPWM • SCI-A • SPI-A/B • ADC • I2C • COMP1/2/3 • CPU-TIMER0/1/2 All PWM pins are toggled at 60 kHz. All I/O pins are left unconnected. ^{(4) (6)} Code is running out of flash with 2 wait states. XCLKOUT is turned off. | 114 mA ⁽⁷⁾ | 135 mA ⁽⁷⁾ | 14 mA | 18 mA | 101 mA ⁽⁷⁾ | 120 mA ⁽⁷⁾ | 14 mA | 18 mA | 14 mA | 18 mA |
| IDLE | Flash is powered down. XCLKOUT is turned off. All peripheral clocks are turned off. | 13 mA | 23 mA | 10 μA | 15 μA | 13 mA | 24 mA | 120 μA | 400 μA | 10 μA | 15 μA |
| STANDBY | Flash is powered down. Peripheral clocks are off. | 4 mA | 9 mA | 10 μA | 15 μA | 4 mA | 7 mA | 120 μA | 400 μA | 10 μA | 15 μA |
| HALT | Flash is powered down. Peripheral clocks are off. Input clock is disabled. ⁽⁵⁾ | 46 μA | | 10 μA | 15 μA | 30 μA | | 24 μA | | 10 μA | 15 μA |

(1) I_{DDIO} current is dependent on the electrical loading on the I/O pins.

(2) To realize the I_{DDA} currents shown for IDLE, STANDBY, and HALT, clock to the ADC module must be turned off explicitly by writing to the PCLKCR0 register.

(3) The TYP numbers are applicable over room temperature and nominal voltage.

(4) The following is done in a loop:

- Data is continuously transmitted out of SPI-A/B, SCI-A, eCAN, LIN, and I2C ports.
- The hardware multiplier is exercised.
- Watchdog is reset.
- ADC is performing continuous conversion.
- COMP1/2 are continuously switching voltages.
- GPIO17 is toggled.

(5) If a quartz crystal or ceramic resonator is used as the clock source, the HALT mode shuts down the on-chip crystal oscillator.

(6) CLA is continuously performing polynomial calculations.

(7) For F2803x devices that do not have CLA, subtract the I_{DD} current number for CLA (see [Table 6-1](#)) from the I_{DD} (VREG disabled)/I_{DDIO} (VREG enabled) current numbers shown in [Section 6.5.1](#) for operational mode.

Note

The peripheral - I/O multiplexing implemented in the device prevents all available peripherals from being used at the same time. This is because more than one peripheral function may share an I/O pin. It is, however, possible to turn on the clocks to all the peripherals at the same time, although such a configuration is not useful. If this is done, the current drawn by the device will be more than the numbers specified in the current consumption tables.

6.5.2 Reducing Current Consumption

The 2803x devices incorporate a method to reduce the device current consumption. Because each peripheral unit has an individual clock-enable bit, significant reduction in current consumption can be achieved by turning off the clock to any peripheral module that is not used in a given application. Furthermore, any one of the three low-power modes could be taken advantage of to reduce the current consumption even further. [Table 6-1](#) indicates the typical reduction in current consumption achieved by turning off the clocks.

Table 6-1. Typical Current Consumption by Various Peripherals (at 60 MHz)

| PERIPHERAL MODULE ^{(1) (3)} | I _{DD} CURRENT REDUCTION (mA) |
|--------------------------------------|--|
| ADC | 2 ⁽²⁾ |
| I2C | 3 |
| ePWM | 2 |
| eCAP | 2 |
| eQEP | 2 |
| SCI | 2 |
| SPI | 2 |
| COMP/DAC | 1 |
| HRPWM | 3 |
| HRCAP | 3 |
| CPU-TIMER | 1 |
| Internal zero-pin oscillator | 0.5 |
| CAN | 2.5 |
| LIN | 1.5 |
| CLA | 20 |

- (1) All peripheral clocks (except CPU Timer clock) are disabled upon reset. Writing to/reading from peripheral registers is possible only after the peripheral clocks are turned on.
- (2) This number represents the current drawn by the digital portion of the ADC module. Turning off the clock to the ADC module results in the elimination of the current drawn by the analog portion of the ADC (I_{DDA}) as well.
- (3) For peripherals with multiple instances, the current quoted is per module. For example, the 2 mA value quoted for ePWM is for one ePWM module.

Note

I_{DDIO} current consumption is reduced by 15 mA (typical) when XCLKOUT is turned off.

Note

The baseline I_{DD} current (current when the core is executing a dummy loop with no peripherals enabled) is 40 mA, typical. To arrive at the I_{DD} current for a given application, the current-drawn by the peripherals (enabled by that application) must be added to the baseline I_{DD} current.

Following are other methods to reduce power consumption further:

- The flash module may be powered down if code is run off SARAM. This results in a current reduction of 18 mA (typical) in the V_{DD} rail and 13 mA (typical) in the V_{DDIO} rail.
- Savings in I_{DDIO} may be realized by disabling the pullups on pins that assume an output function.
- To realize the lowest V_{DDA} current consumption in a low-power mode, see the respective analog chapter of the [TMS320F2803x Real-Time Microcontrollers Technical Reference Manual](#) to ensure each module is powered down as well.

6.5.3 Current Consumption Graphs (VREG Enabled)

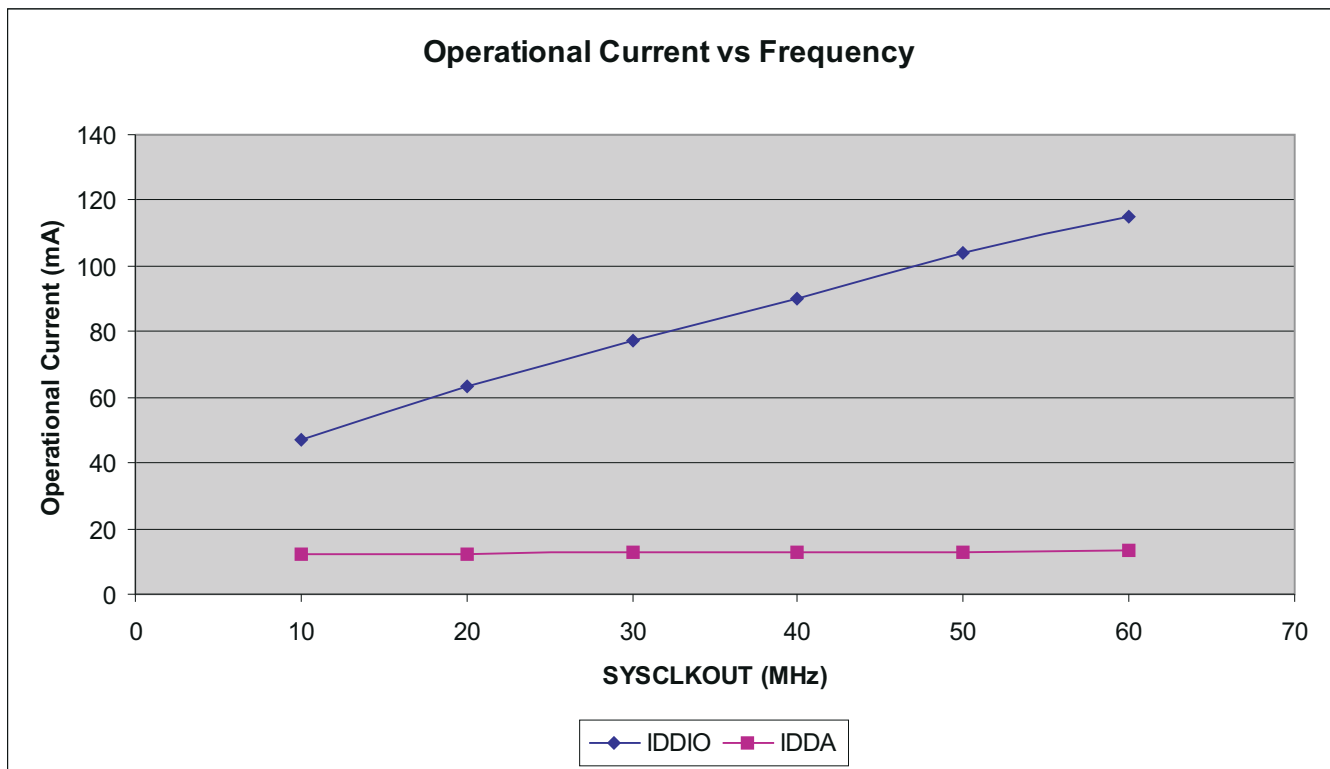


Figure 6-1. Typical Operational Current Versus Frequency (F2803x)

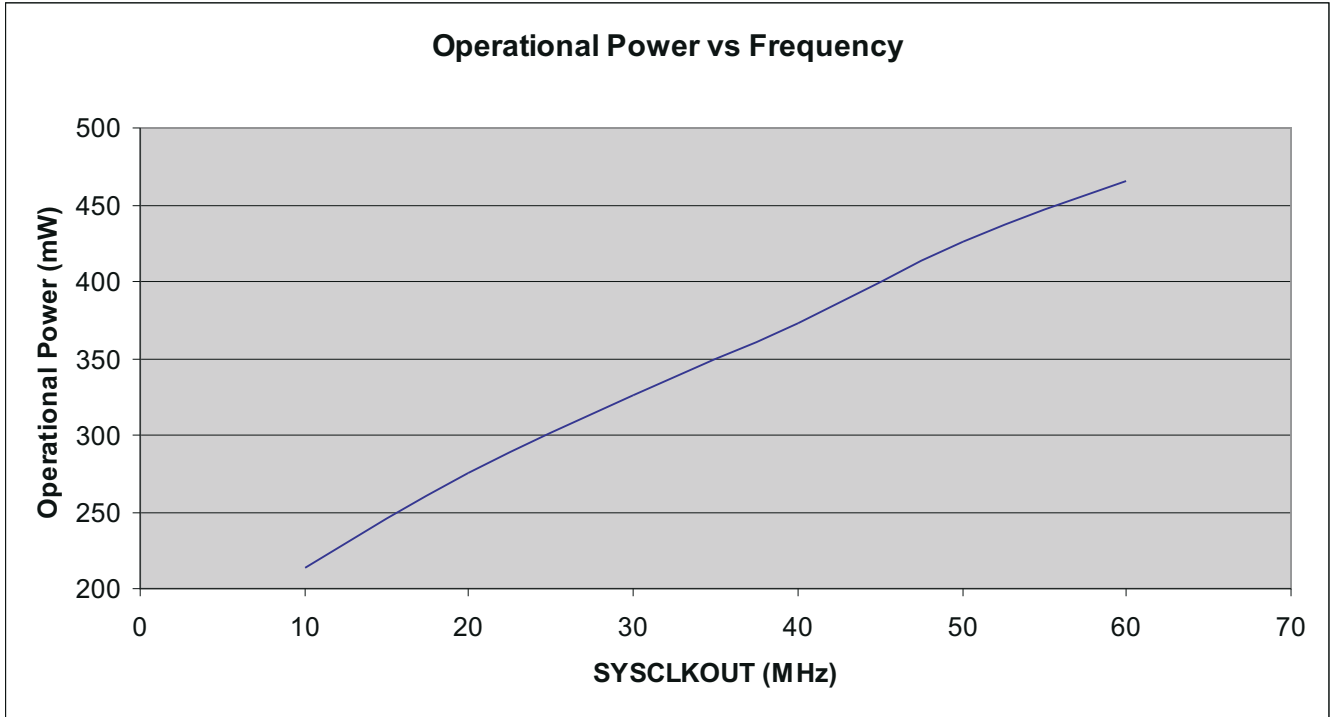


Figure 6-2. Typical Operational Power Versus Frequency (F2803x)

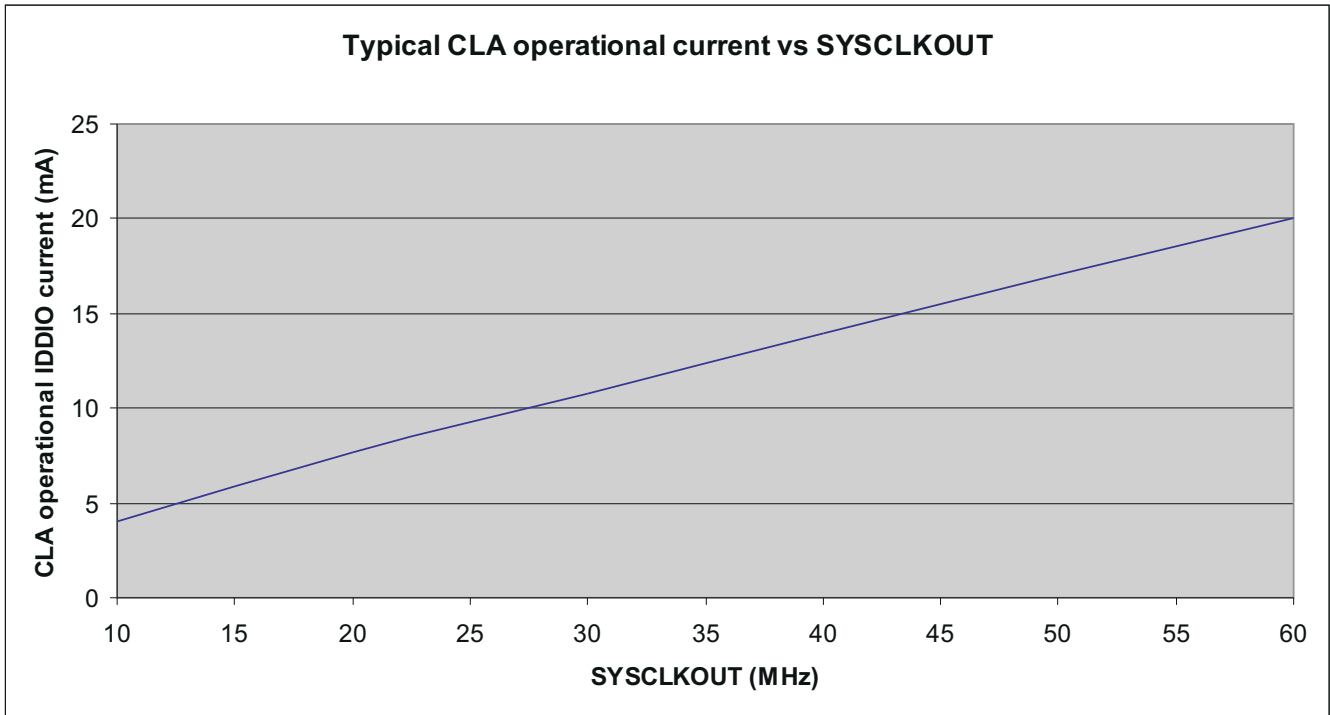


Figure 6-3. Typical CLA Operational Current Versus SYSCLKOUT

6.6 Electrical Characteristics

over recommended operating conditions (unless otherwise noted)⁽¹⁾

| PARAMETER | | TEST CONDITIONS | | MIN | TYP | MAX | UNIT | |
|-----------------|---|--|--|-----------------------------|------|------|------|----|
| V _{OH} | High-level output voltage | I _{OH} = I _{OH} MAX | | 2.4 | | | V | |
| | | I _{OH} = 50 μA | | V _{DDIO} – 0.2 | | | | |
| V _{OL} | Low-level output voltage | I _{OL} = I _{OL} MAX | | 0.4 | | | V | |
| I _{IL} | Input current (low level) | Pin with pullup enabled | V _{DDIO} = 3.3 V, V _{IN} = 0 V | All GPIO | –80 | –140 | –205 | μA |
| | | Pin with pulldown enabled | V _{DDIO} = 3.3 V, V _{IN} = 0 V | $\overline{\text{XRS}}$ pin | –230 | –300 | –375 | |
| I _{IH} | Input current (high level) | Pin with pullup enabled | V _{DDIO} = 3.3 V, V _{IN} = V _{DDIO} | | | | ±2 | μA |
| | | Pin with pulldown enabled | V _{DDIO} = 3.3 V, V _{IN} = V _{DDIO} | | 28 | 50 | 80 | |
| I _{OZ} | Output current, pullup or pulldown disabled | V _O = V _{DDIO} or 0 V | | | | | ±2 | μA |
| C _I | Input capacitance | | | | 2 | | | pF |
| | V _{DDIO} BOR trip point | Falling V _{DDIO} | | 2.50 | 2.78 | 2.96 | | V |
| | V _{DDIO} BOR hysteresis | | | | 35 | | | mV |
| | Supervisor reset release delay time | Time after BOR/POR/OVR event is removed to $\overline{\text{XRS}}$ release | | 400 | | 800 | | μs |
| | VREG V _{DD} output | Internal VREG on | | | 1.9 | | | V |

- (1) When the on-chip VREG is used, its output is monitored by the POR/BOR circuit, which will reset the device should the core voltage (V_{DD}) go out of range.

6.7 Thermal Resistance Characteristics

6.7.1 PN Package

| | | °C/W ⁽¹⁾ | AIR FLOW (lfm) ⁽²⁾ |
|----------------------------------|---|---------------------|-------------------------------|
| R _{θJC} | Junction-to-case thermal resistance | 14.2 | N/A |
| R _{θJB} | Junction-to-board thermal resistance | 21.9 | N/A |
| R _{θJA} (High k PCB) | Junction-to-free air thermal resistance | 49.9 | 0 |
| | | 38.3 | 150 |
| | | 36.7 | 250 |
| | | 34.4 | 500 |
| Psi _{JT} | Junction-to-package top | 0.8 | 0 |
| | | 1.18 | 150 |
| | | 1.34 | 250 |
| | | 1.62 | 500 |
| Psi _{JB} | Junction-to-board | 21.6 | 0 |
| | | 20.7 | 150 |
| | | 20.5 | 250 |
| | | 20.1 | 500 |

(1) These values are based on a JEDEC defined 2S2P system (with the exception of the Theta JC [R_{θJC}] value, which is based on a JEDEC defined 1S0P system) and will change based on environment as well as application. For more information, see these EIA/JEDEC standards:

- JESD51-2, *Integrated Circuits Thermal Test Method Environmental Conditions - Natural Convection (Still Air)*
- JESD51-3, *Low Effective Thermal Conductivity Test Board for Leaded Surface Mount Packages*
- JESD51-7, *High Effective Thermal Conductivity Test Board for Leaded Surface Mount Packages*
- JESD51-9, *Test Boards for Area Array Surface Mount Package Thermal Measurements*

(2) lfm = linear feet per minute

6.7.2 PAG Package

| | | °C/W ⁽¹⁾ | AIR FLOW (lfm) ⁽²⁾ |
|---------------------------------|---|---------------------|-------------------------------|
| R θ_{JC} | Junction-to-case thermal resistance | 7.6 | N/A |
| R θ_{JB} | Junction-to-board thermal resistance | 31.3 | N/A |
| R θ_{JA} (High k PCB) | Junction-to-free air thermal resistance | 56.5 | 0 |
| | | 44.7 | 150 |
| | | 42.9 | 250 |
| | | 40.3 | 500 |
| Psi $_{JT}$ | Junction-to-package top | 0.15 | 0 |
| | | 0.42 | 150 |
| | | 0.51 | 250 |
| | | 0.67 | 500 |
| Psi $_{JB}$ | Junction-to-board | 31.1 | 0 |
| | | 29.7 | 150 |
| | | 29.2 | 250 |
| | | 28.4 | 500 |

(1) These values are based on a JEDEC defined 2S2P system (with the exception of the Theta JC [R θ_{JC}] value, which is based on a JEDEC defined 1S0P system) and will change based on environment as well as application. For more information, see these EIA/JEDEC standards:

- JESD51-2, *Integrated Circuits Thermal Test Method Environmental Conditions - Natural Convection (Still Air)*
- JESD51-3, *Low Effective Thermal Conductivity Test Board for Leaded Surface Mount Packages*
- JESD51-7, *High Effective Thermal Conductivity Test Board for Leaded Surface Mount Packages*
- JESD51-9, *Test Boards for Area Array Surface Mount Package Thermal Measurements*

(2) lfm = linear feet per minute

6.7.3 RSH Package

| | | °C/W ⁽¹⁾ | AIR FLOW (lfm) ⁽²⁾ |
|----------------------------------|---|---------------------|-------------------------------|
| R _{θJC} | Junction-to-case thermal resistance | 14.7 | N/A |
| R _{θJB} | Junction-to-board thermal resistance | 9.2 | N/A |
| R _{θJA} (High k PCB) | Junction-to-free air thermal resistance | 34.8 | 0 |
| | | 23.6 | 150 |
| | | 22.3 | 250 |
| | | 20.5 | 500 |
| Psi _{JT} | Junction-to-package top | 0.24 | 0 |
| | | 0.36 | 150 |
| | | 0.43 | 250 |
| | | 0.56 | 500 |
| Psi _{JB} | Junction-to-board | 9.2 | 0 |
| | | 8.8 | 150 |
| | | 8.9 | 250 |
| | | 8.8 | 500 |

(1) These values are based on a JEDEC defined 2S2P system (with the exception of the Theta JC [R_{θJC}] value, which is based on a JEDEC defined 1S0P system) and will change based on environment as well as application. For more information, see these EIA/JEDEC standards:

- JESD51-2, *Integrated Circuits Thermal Test Method Environmental Conditions - Natural Convection (Still Air)*
- JESD51-3, *Low Effective Thermal Conductivity Test Board for Leaded Surface Mount Packages*
- JESD51-7, *High Effective Thermal Conductivity Test Board for Leaded Surface Mount Packages*
- JESD51-9, *Test Boards for Area Array Surface Mount Package Thermal Measurements*

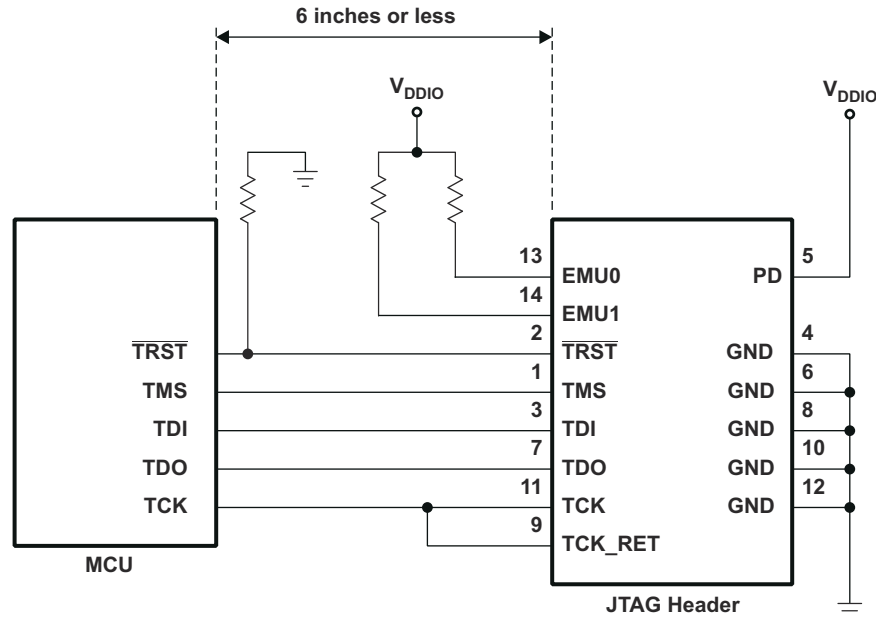
(2) lfm = linear feet per minute

6.8 Thermal Design Considerations

Based on the end application design and operational profile, the I_{DD} and I_{DDIO} currents could vary. Systems that exceed the recommended maximum power dissipation in the end product may require additional thermal enhancements. Ambient temperature (T_A) varies with the end application and product design. The critical factor that affects reliability and functionality is T_J, the junction temperature, not the ambient temperature. Hence, care should be taken to keep T_J within the specified limits. T_{case} should be measured to estimate the operating junction temperature T_J. T_{case} is normally measured at the center of the package top-side surface. The thermal application report [Semiconductor and IC Package Thermal Metrics](#) helps to understand the thermal metrics and definitions.

6.9 JTAG Debug Probe Connection Without Signal Buffering for the MCU

Figure 6-4 shows the connection between the MCU and JTAG header for a single-processor configuration. If the distance between the JTAG header and the MCU is greater than 6 inches, the emulation signals must be buffered. If the distance is less than 6 inches, buffering is typically not needed. Figure 6-4 shows the simpler, no-buffering situation. For the pullup/pulldown resistor values, see Section 5.2, Signal Descriptions.



A. See Figure 7-44 for JTAG/GPIO multiplexing.

Figure 6-4. JTAG Debug Probe Connection Without Signal Buffering for the MCU

Note

The 2803x devices do not have EMU0/EMU1 pins. For designs that have a JTAG Header onboard, the EMU0/EMU1 pins on the header must be tied to V_{DDIO} through a 4.7-kΩ (typical) resistor.

6.10 Parameter Information

6.10.1 Timing Parameter Symbology

Timing parameter symbols used are created in accordance with JEDEC Standard 100. To shorten the symbols, some of the pin names and other related terminology have been abbreviated as follows:

| Lowercase subscripts and their meanings: | | Letters and symbols and their meanings: | |
|--|------------------------|---|--|
| a | access time | H | High |
| c | cycle time (period) | L | Low |
| d | delay time | V | Valid |
| f | fall time | X | Unknown, changing, or don't care level |
| h | hold time | Z | High impedance |
| r | rise time | | |
| su | setup time | | |
| t | transition time | | |
| v | valid time | | |
| w | pulse duration (width) | | |

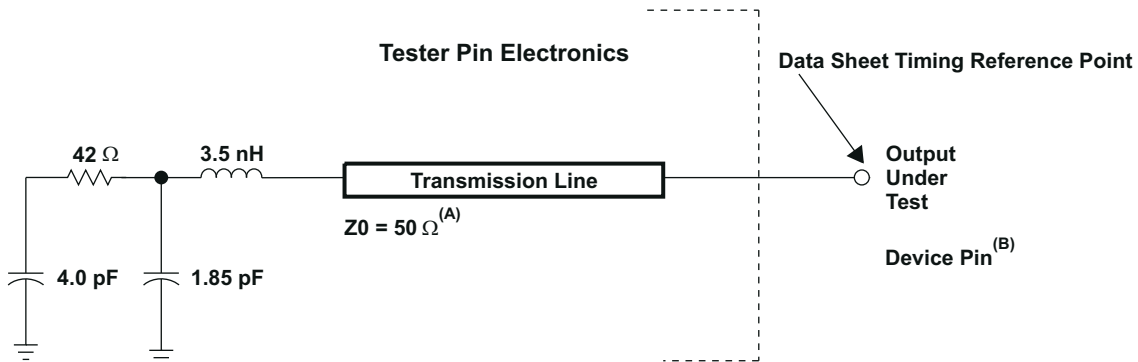
6.10.2 General Notes on Timing Parameters

All output signals from the 28x devices (including XCLKOUT) are derived from an internal clock such that all output transitions for a given half-cycle occur with a minimum of skewing relative to each other.

The signal combinations shown in the following timing diagrams may not necessarily represent actual cycles. For actual cycle examples, see the appropriate cycle description section of this document.

6.11 Test Load Circuit

This test load circuit is used to measure all switching characteristics provided in this document.

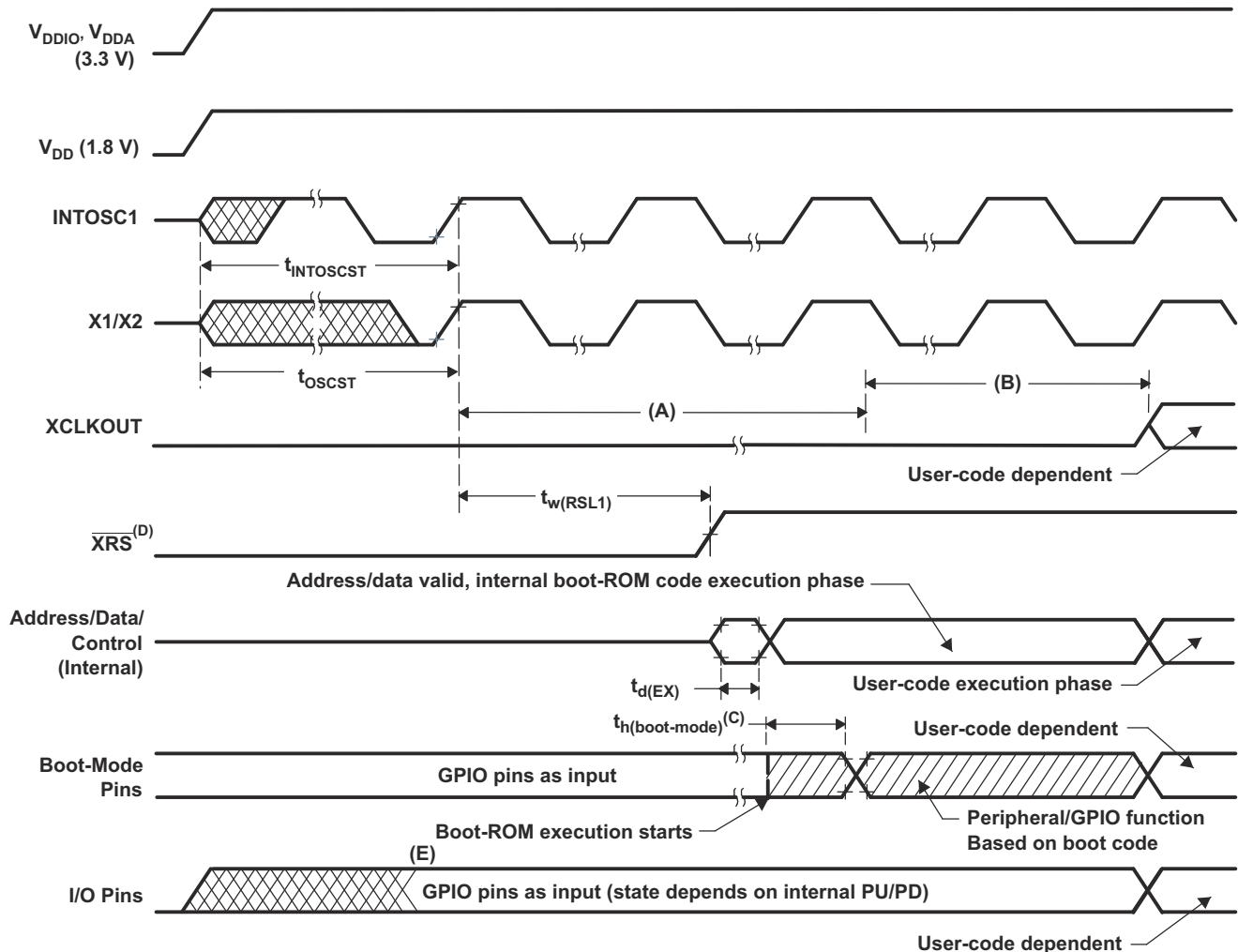


- A. Input requirements in this data sheet are tested with an input slew rate of < 4 Volts per nanosecond (4 V/ns) at the device pin.
- B. The data sheet provides timing at the device pin. For output timing analysis, the tester pin electronics and its transmission line effects must be taken into account. A transmission line with a delay of 2 ns or longer can be used to produce the desired transmission line effect. The transmission line is intended as a load only. It is not necessary to add or subtract the transmission line delay (2 ns or longer) from the data sheet timing.

Figure 6-5. 3.3-V Test Load Circuit

6.12 Power Sequencing

There is no power sequencing requirement needed to ensure the device is in the proper state after reset or to prevent the I/Os from glitching during power up/down (GPIO19, GPIO34–38 do not have glitch-free I/Os). No voltage larger than a diode drop (0.7 V) above V_{DDIO} should be applied to any digital pin (for analog pins, this value is 0.7 V above V_{DDA}) before powering up the device. Voltages applied to pins on an unpowered device can bias internal p-n junctions in unintended ways and produce unpredictable results.



- Upon power up, SYSCLOCKOUT is OSCCLK/4. Because the XCLKOUTDIV bits in the XCLK register come up with a reset state of 0, SYSCLOCKOUT is further divided by 4 before it appears at XCLKOUT. $XCLKOUT = OSCCLK/16$ during this phase.
- Boot ROM configures the DIVSEL bits for /1 operation. $XCLKOUT = OSCCLK/4$ during this phase. XCLKOUT will not be visible at the pin until explicitly configured by user code.
- After reset, the boot ROM code samples Boot Mode pins. Based on the status of the Boot Mode pin, the boot code branches to destination memory or boot code function. If boot ROM code executes after power-on conditions (in debugger environment), the boot code execution time is based on the current SYSCLOCKOUT speed. The SYSCLOCKOUT will be based on user environment and could be with or without PLL enabled.
- Using the \overline{XRS} pin is optional due to the on-chip power-on reset (POR) circuitry.
- The internal pullup/pulldown will take effect when BOR is driven high.

Figure 6-6. Power-on Reset

6.12.1 Reset ($\overline{\text{XRS}}$) Timing Requirements

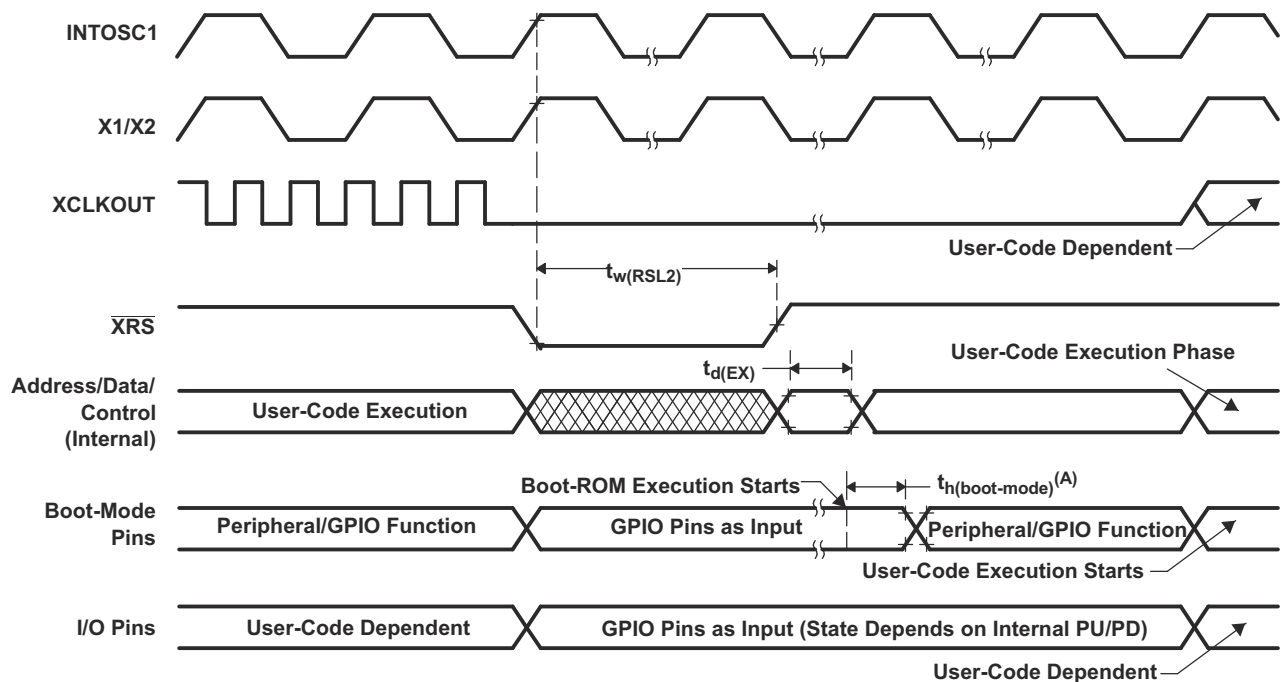
| | | MIN | MAX | UNIT |
|---------------------------|---|--------------------------|-----|--------|
| $t_{h(\text{boot-mode})}$ | Hold time for boot-mode pins | $1000t_{c(\text{SCO})}$ | | cycles |
| $t_{w(\text{RSL2})}$ | Pulse duration, $\overline{\text{XRS}}$ low on warm reset | $32t_{c(\text{OSCCLK})}$ | | cycles |

6.12.2 Reset ($\overline{\text{XRS}}$) Switching Characteristics

over recommended operating conditions (unless otherwise noted)

| PARAMETER | TEST CONDITIONS | MIN | TYP | MAX | UNIT |
|--------------------------|---|-----|---------------------------|-----|---------------|
| $t_{w(\text{RSL1})}$ | Pulse duration, $\overline{\text{XRS}}$ driven by device | | 600 | | μs |
| $t_{w(\text{WDRS})}$ | Pulse duration, reset pulse generated by watchdog | | $512t_{c(\text{OSCCLK})}$ | | cycles |
| $t_{d(\text{EX})}$ | Delay time, address/data valid after $\overline{\text{XRS}}$ high | | $32t_{c(\text{OSCCLK})}$ | | cycles |
| t_{INTOSCST} | Start-up time, internal zero-pin oscillator | | 3 | | μs |
| $t_{\text{OSCST}}^{(1)}$ | On-chip crystal-oscillator start-up time | 1 | 10 | | ms |

(1) Dependent on crystal/resonator and board design.



A. After reset, the Boot ROM code samples BOOT Mode pins. Based on the status of the Boot Mode pin, the boot code branches to destination memory or boot code function. If Boot ROM code executes after power-on conditions (in debugger environment), the Boot code execution time is based on the current SYSCLKOUT speed. The SYSCLKOUT will be based on user environment and could be with or without PLL enabled.

Figure 6-7. Warm Reset

Figure 6-8 shows an example for the effect of writing into PLLCR register. In the first phase, PLLCR = 0x0004 and SYSCLKOUT = OSCCLK x 2. The PLLCR is then written with 0x0008. Right after the PLLCR register is written, the PLL lock-up phase begins. During this phase, SYSCLKOUT = OSCCLK/2. After the PLL lock-up is complete, SYSCLKOUT reflects the new operating frequency, OSCCLK x 4.

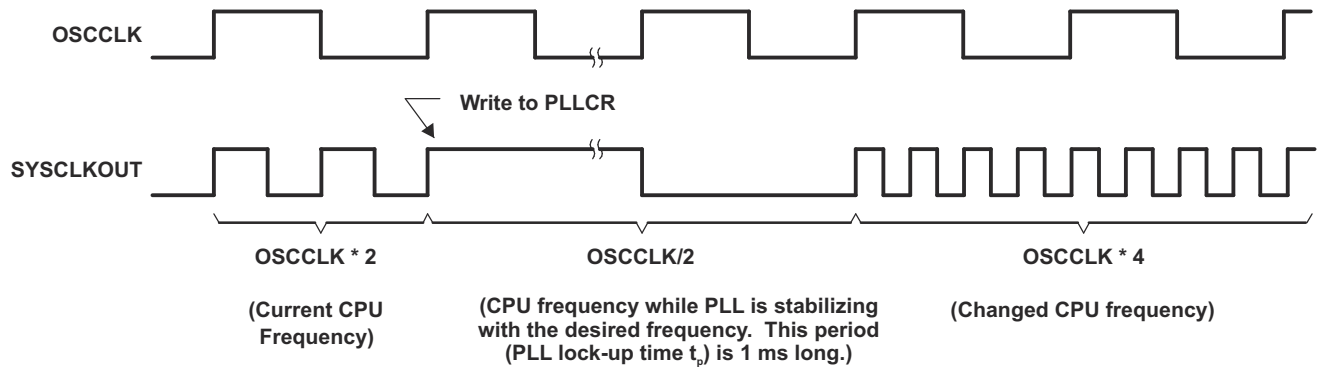


Figure 6-8. Example of Effect of Writing Into PLLCR Register

6.13 Clock Specifications

6.13.1 Device Clock Table

This section provides the timing requirements and switching characteristics for the various clock options available on the 2803x MCUs. [Section 6.13.1.1](#) lists the cycle times of various clocks.

6.13.1.1 2803x Clock Table and Nomenclature (60-MHz Devices)

| | | MIN | NOM | MAX | UNIT |
|-----------------------|------------------------------|-------|----------------------|-----|------|
| SYSCLKOUT | $t_{c(SCO)}$, Cycle time | 16.67 | | 500 | ns |
| | Frequency | 2 | | 60 | MHz |
| LSPCLK ⁽¹⁾ | $t_{c(LCO)}$, Cycle time | 16.67 | 66.67 ⁽²⁾ | | ns |
| | Frequency | | 15 ⁽²⁾ | 60 | MHz |
| ADC clock | $t_{c(ADCCLK)}$, Cycle time | 16.67 | | | ns |
| | Frequency | | | 60 | MHz |

- (1) Lower LSPCLK will reduce device power consumption.
 (2) This is the default reset value if SYSCLKOUT = 60 MHz.

6.13.1.2 Device Clocking Requirements/Characteristics

| | | MIN | NOM | MAX | UNIT |
|---|--------------------------------|-------|--------|------|------|
| On-chip oscillator (X1/X2 pins) (Crystal/Resonator) | $t_{c(OSC)}$, Cycle time | 50 | | 200 | ns |
| | Frequency | 5 | | 20 | MHz |
| External oscillator/clock source (XCLKIN pin) — PLL Enabled | $t_{c(CI)}$, Cycle time (C8) | 33.3 | | 200 | ns |
| | Frequency | 5 | | 30 | MHz |
| External oscillator/clock source (XCLKIN pin) — PLL Disabled | $t_{c(CI)}$, Cycle time (C8) | 33.33 | | 250 | ns |
| | Frequency | 4 | | 30 | MHz |
| Limp mode SYSCLKOUT (with /2 enabled) | Frequency range | | 1 to 5 | | MHz |
| XCLKOUT | $t_{c(XCO)}$, Cycle time (C1) | 66.67 | | 2000 | ns |
| | Frequency | 0.5 | | 15 | MHz |
| PLL lock time ⁽¹⁾ | t_p | | | 1 | ms |

- (1) The PLLLOCKPRD register must be updated based on the number of OSCCLK cycles. If the zero-pin internal oscillators (10 MHz) are used as the clock source, then the PLLLOCKPRD register must be written with a value of 10,000 (minimum).

6.13.1.3 Internal Zero-Pin Oscillator (INTOSC1/INTOSC2) Characteristics

| PARAMETER | | MIN | TYP | MAX | UNIT |
|---|-----------|-----|--------|------|--------|
| Internal zero-pin oscillator 1 (INTOSC1) at 30°C ^{(1) (2)} | Frequency | | 10.000 | | MHz |
| Internal zero-pin oscillator 2 (INTOSC2) at 30°C ^{(1) (2)} | Frequency | | 10.000 | | MHz |
| Step size (coarse trim) | | | 55 | | kHz |
| Step size (fine trim) | | | 14 | | kHz |
| Temperature drift ⁽³⁾ | | | 3.03 | 4.85 | kHz/°C |
| Voltage (V _{DD}) drift ⁽³⁾ | | | 175 | | Hz/mV |

- (1) Oscillator frequency will vary over temperature, see [Figure 6-9](#). To compensate for oscillator temperature drift, see the [Oscillator Compensation Guide](#) and C2000Ware.
- (2) Frequency range ensured only when VREG is enabled, $\overline{VREGENZ} = V_{SS}$.
- (3) Output frequency of the internal oscillators follows the direction of both the temperature gradient and voltage (V_{DD}) gradient. For example:
 - Increase in temperature will cause the output frequency to increase per the temperature coefficient.
 - Decrease in voltage (V_{DD}) will cause the output frequency to decrease per the voltage coefficient.

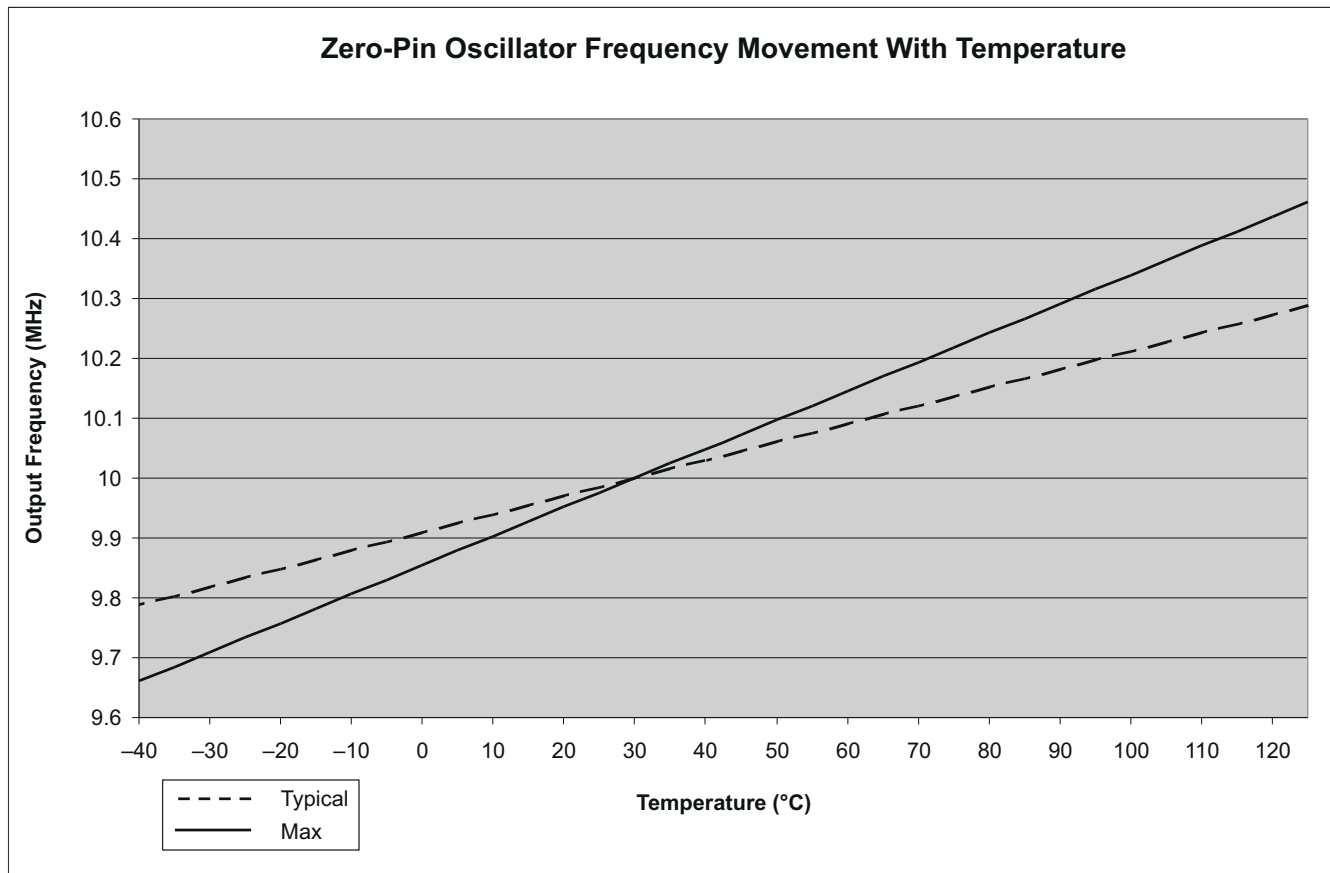


Figure 6-9. Zero-Pin Oscillator Frequency Movement With Temperature

6.13.2 Clock Requirements and Characteristics

6.13.2.1 XCLKIN Timing Requirements – PLL Enabled

| NO. | | | MIN | MAX | UNIT |
|-----|--------------|--|-----|-----|------|
| C9 | $t_{f(CI)}$ | Fall time, XCLKIN | | 6 | ns |
| C10 | $t_{r(CI)}$ | Rise time, XCLKIN | | 6 | ns |
| C11 | $t_{w(CIL)}$ | Pulse duration, XCLKIN low as a percentage of $t_{c(OSCCLK)}$ | 45% | 55% | |
| C12 | $t_{w(CIH)}$ | Pulse duration, XCLKIN high as a percentage of $t_{c(OSCCLK)}$ | 45% | 55% | |

6.13.2.2 XCLKIN Timing Requirements – PLL Disabled

| NO. | | | MIN | MAX | UNIT |
|-----|--------------|--|------------------|-----|------|
| C9 | $t_{f(CI)}$ | Fall time, XCLKIN | Up to 20 MHz | 6 | ns |
| | | | 20 MHz to 30 MHz | 2 | |
| C10 | $t_{r(CI)}$ | Rise time, XCLKIN | Up to 20 MHz | 6 | ns |
| | | | 20 MHz to 30 MHz | 2 | |
| C11 | $t_{w(CIL)}$ | Pulse duration, XCLKIN low as a percentage of $t_{c(OSCCLK)}$ | 45% | 55% | |
| C12 | $t_{w(CIH)}$ | Pulse duration, XCLKIN high as a percentage of $t_{c(OSCCLK)}$ | 45% | 55% | |

The possible configuration modes are shown in Table 7-17.

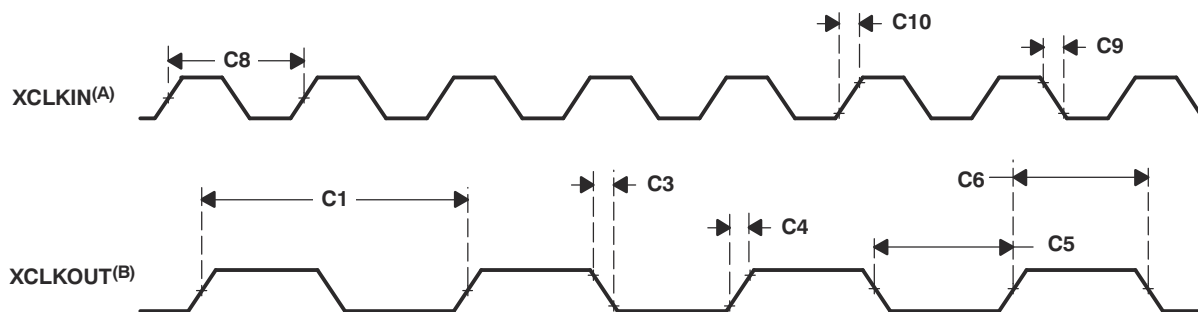
6.13.2.3 XCLKOUT Switching Characteristics (PLL Bypassed or Enabled)

over recommended operating conditions (unless otherwise noted)^{(1) (2)}

| NO. | PARAMETER | MIN | MAX | UNIT |
|-----|---------------|-------|-------|------|
| C3 | $t_{f(XCO)}$ | | 5 | ns |
| C4 | $t_{r(XCO)}$ | | 5 | ns |
| C5 | $t_{w(XCOL)}$ | H – 2 | H + 2 | ns |
| C6 | $t_{w(XCOH)}$ | H – 2 | H + 2 | ns |

(1) A load of 40 pF is assumed for these parameters.

(2) $H = 0.5t_{c(XCO)}$



- A. The relationship of XCLKIN to XCLKOUT depends on the divide factor chosen. The waveform relationship shown is intended to illustrate the timing parameters only and may differ based on actual configuration.
- B. XCLKOUT configured to reflect SYSCLKOUT.

Figure 6-10. Clock Timing

6.14 Flash Timing

6.14.1 Flash/OTP Endurance for T Temperature Material

| | | ERASE/PROGRAM TEMPERATURE ⁽¹⁾ | MIN | TYP | MAX | UNIT |
|------------------|--|--|-------|-------|-----|--------|
| N _f | Flash endurance for the array (write/erase cycles) | 0°C to 105°C (ambient) | 20000 | 50000 | | cycles |
| N _{OTP} | OTP endurance for the array (write cycles) | 0°C to 30°C (ambient) | | | 1 | write |

(1) Write/erase operations outside of the temperature ranges indicated are not specified and may affect the endurance numbers.

6.14.2 Flash/OTP Endurance for S Temperature Material

| | | ERASE/PROGRAM TEMPERATURE ⁽¹⁾ | MIN | TYP | MAX | UNIT |
|------------------|--|--|-------|-------|-----|--------|
| N _f | Flash endurance for the array (write/erase cycles) | 0°C to 125°C (ambient) | 20000 | 50000 | | cycles |
| N _{OTP} | OTP endurance for the array (write cycles) | 0°C to 30°C (ambient) | | | 1 | write |

(1) Write/erase operations outside of the temperature ranges indicated are not specified and may affect the endurance numbers.

6.14.3 Flash/OTP Endurance for Q Temperature Material

| | | ERASE/PROGRAM TEMPERATURE ⁽¹⁾ | MIN | TYP | MAX | UNIT |
|------------------|--|--|-------|-------|-----|--------|
| N _f | Flash endurance for the array (write/erase cycles) | -40°C to 125°C (ambient) | 20000 | 50000 | | cycles |
| N _{OTP} | OTP endurance for the array (write cycles) | -40°C to 30°C (ambient) | | | 1 | write |

(1) Write/erase operations outside of the temperature ranges indicated are not specified and may affect the endurance numbers.

6.14.4 Flash Parameters at 60-MHz SYSCLKOUT

| PARAMETER | | TEST CONDITIONS | MIN | TYP | MAX | UNIT |
|-----------------------------------|--|-----------------|-----|-----|---------------------|------|
| Program Time ⁽¹⁾ | 8K Sector | | | 250 | 2000 ⁽²⁾ | ms |
| | 4K Sector | | | 125 | 2000 ⁽²⁾ | ms |
| | 16-Bit Word | | | 50 | | µs |
| Erase Time ⁽³⁾ | 8K Sector | | | 2 | 12 ⁽²⁾ | s |
| | 4K Sector | | | 2 | 12 ⁽²⁾ | s |
| I _{DDP} ⁽⁴⁾ | V _{DD} current consumption during Erase/Program cycle | VREG disabled | | 80 | | mA |
| I _{DDIOP} ⁽⁴⁾ | V _{DDIO} current consumption during Erase/Program cycle | VREG disabled | | 60 | | mA |
| I _{DDIOP} ⁽⁴⁾ | V _{DDIO} current consumption during Erase/Program cycle | VREG enabled | | 120 | | mA |

(1) Program time is at the maximum device frequency. The programming time indicated in this table is applicable only when all the required code/data is available in the device RAM, ready for programming. Program time includes overhead of the flash state machine but does not include the time to transfer the following into RAM:

- the code that uses flash API to program the flash
- the Flash API itself
- Flash data to be programmed

(2) Maximum flash parameter mentioned are for the first 100 program and erase cycles.

(3) The on-chip flash memory is in an erased state when the device is shipped from TI. As such, erasing the flash memory is not required prior to programming, when programming the device for the first time. However, the erase operation is needed on all subsequent programming operations.

(4) Typical parameters as seen at room temperature including function call overhead, with all peripherals off. It is important to maintain a stable power supply during the entire flash programming process. It is conceivable that device current consumption during flash programming could be higher than normal operating conditions. The power supply used should ensure V_{MIN} on the supply rails at all times, as specified in the Recommended Operating Conditions of the data sheet. Any brown-out or interruption to power during erasing/programming could potentially corrupt the password locations and lock the device permanently. Powering a target board (during flash programming) through the USB port is not recommended, as the port may be unable to respond to the power demands placed during the programming process.

6.14.5 Flash/OTP Access Timing

| PARAMETER | | MIN | MAX | UNIT |
|--------------|--------------------------|-----|-----|------|
| $t_{a(fp)}$ | Paged Flash access time | 40 | | ns |
| $t_{a(fr)}$ | Random Flash access time | 40 | | ns |
| $t_{a(OTP)}$ | OTP access time | 60 | | ns |

6.14.6 Flash Data Retention Duration

| PARAMETER | | TEST CONDITIONS | MIN | MAX | UNIT |
|-----------------|-------------------------|--------------------------|-----|-----|-------|
| $t_{retention}$ | Data retention duration | $T_J = 55^\circ\text{C}$ | 15 | | years |

Table 6-2. Minimum Required Flash/OTP Wait States at Different Frequencies

| SYCLKOUT (MHz) | SYCLKOUT (ns) | PAGE WAIT STATE ⁽¹⁾ | RANDOM WAIT STATE ⁽¹⁾ | OTP WAIT STATE |
|----------------|---------------|--------------------------------|----------------------------------|----------------|
| 60 | 16.67 | 2 | 2 | 3 |
| 55 | 18.18 | 2 | 2 | 3 |
| 50 | 20 | 1 | 1 | 2 |
| 45 | 22.22 | 1 | 1 | 2 |
| 40 | 25 | 1 | 1 | 2 |
| 35 | 28.57 | 1 | 1 | 2 |
| 30 | 33.33 | 1 | 1 | 1 |
| 25 | 40 | 0 | 1 | 1 |

(1) Random wait state must be ≥ 1 .

The equations to compute the Flash page wait state and random wait state in [Table 6-2](#) are as follows:

$$\text{Flash Page Wait State} = \left\lceil \left(\frac{t_{a(fp)}}{t_{c(SCO)}} \right) - 1 \right\rceil \text{ round up to the next highest integer}$$

$$\text{Flash Random Wait State} = \left\lceil \left(\frac{t_{a(fr)}}{t_{c(SCO)}} \right) - 1 \right\rceil \text{ round up to the next highest integer, or 1, whichever is larger}$$

The equation to compute the OTP wait state in [Table 6-2](#) is as follows:

$$\text{OTP Wait State} = \left\lceil \left(\frac{t_{a(OTP)}}{t_{c(SCO)}} \right) - 1 \right\rceil \text{ round up to the next highest integer, or 1, whichever is larger}$$

7 Detailed Description

7.1 Overview

7.1.1 CPU

The 2803x (C28x) family is a member of the TMS320C2000™ microcontroller (MCU) platform. The C28x-based controllers have the same 32-bit fixed-point architecture as existing C28x MCUs. It is a very efficient C/C++ engine, enabling users to develop not only their system control software in a high-level language, but also enabling development of math algorithms using C/C++. The device is as efficient at MCU math tasks as it is at system control tasks that typically are handled by microcontroller devices. This efficiency removes the need for a second processor in many systems. The 32 × 32-bit MAC 64-bit processing capabilities enable the controller to handle higher numerical resolution problems efficiently. Add to this the fast interrupt response with automatic context save of critical registers, resulting in a device that is capable of servicing many asynchronous events with minimal latency. The device has an 8-level-deep protected pipeline with pipelined memory accesses. This pipelining enables it to execute at high speeds without resorting to expensive high-speed memories. Special branch-look-ahead hardware minimizes the latency for conditional discontinuities. Special store conditional operations further improve performance.

7.1.2 Control Law Accelerator (CLA)

The C28x control law accelerator is a single-precision (32-bit) floating-point unit that extends the capabilities of the C28x CPU by adding parallel processing. The CLA is an independent processor with its own bus structure, fetch mechanism, and pipeline. Eight individual CLA tasks, or routines, can be specified. Each task is started by software or a peripheral such as the ADC, an ePWM, or CPU Timer 0. The CLA executes one task at a time to completion. When a task completes the main CPU is notified by an interrupt to the PIE and the CLA automatically begins the next highest-priority pending task. The CLA can directly access the ADC Result registers and the ePWM+HRPWM registers. Dedicated message RAMs provide a method to pass additional data between the main CPU and the CLA.

7.1.3 Memory Bus (Harvard Bus Architecture)

As with many MCU-type devices, multiple buses are used to move data between the memories and peripherals and the CPU. The memory bus architecture contains a program read bus, data read bus, and data write bus. The program read bus consists of 22 address lines and 32 data lines. The data read and write buses consist of 32 address lines and 32 data lines each. The 32-bit-wide data buses enable single cycle 32-bit operations. The multiple bus architecture, commonly termed Harvard Bus, enables the C28x to fetch an instruction, read a data value and write a data value in a single cycle. All peripherals and memories attached to the memory bus prioritize memory accesses. Generally, the priority of memory bus accesses can be summarized as follows:

| | | |
|----------|----------------|--|
| Highest: | Data Writes | (Simultaneous data and program writes cannot occur on the memory bus.) |
| | Program Writes | (Simultaneous data and program writes cannot occur on the memory bus.) |
| | Data Reads | |
| | Program Reads | (Simultaneous program reads and fetches cannot occur on the memory bus.) |
| Lowest: | Fetches | (Simultaneous program reads and fetches cannot occur on the memory bus.) |

7.1.4 Peripheral Bus

To enable migration of peripherals between various Texas Instruments (TI) MCU family of devices, the devices adopt a peripheral bus standard for peripheral interconnect. The peripheral bus bridge multiplexes the various buses that make up the processor Memory Bus into a single bus consisting of 16 address lines and 16 or 32 data lines and associated control signals. Three versions of the peripheral bus are supported. One version supports only 16-bit accesses (called peripheral frame 2). Another version supports both 16- and 32-bit accesses (called peripheral frame 1). The third version supports CLA access and both 16- and 32-bit accesses (called peripheral frame 3).

7.1.5 Real-Time JTAG and Analysis

The devices implement the standard IEEE 1149.1 (IEEE Standard 1149.1-1990 Standard Test Access Port and Boundary Scan Architecture) JTAG interface for in-circuit based debug. Additionally, the devices support real-time mode of operation allowing modification of the contents of memory, peripheral, and register locations while the processor is running and executing code and servicing interrupts. The user can also single step through non-time-critical code while enabling time-critical interrupts to be serviced without interference. The device implements the real-time mode in hardware within the CPU. This is a feature unique to the 28x family of devices, requiring no software monitor. Additionally, special analysis hardware is provided that allows setting of hardware breakpoint or data/address watch-points and generating various user-selectable break events when a match occurs.

7.1.6 Flash

The F28035/34 devices contain 64K × 16 of embedded flash memory, segregated into eight 8K × 16 sectors. The F28033/32/31 devices contain 32K × 16 of embedded flash memory, segregated into eight 4K × 16 sectors. The F28030 device contains 16K × 16 of embedded flash memory, segregated into four 4K × 16 sectors. All devices also contain a single 1K × 16 of OTP memory at address range 0x3D 7800 to 0x3D 7BFF. The user can individually erase, program, and validate a flash sector while leaving other sectors untouched. However, it is not possible to use one sector of the flash or the OTP to execute flash algorithms that erase/program other sectors. Special memory pipelining is provided to enable the flash module to achieve higher performance. The flash/OTP is mapped to both program and data space; therefore, it can be used to execute code or store data information. Addresses 0x3F 7FF0 to 0x3F 7FF5 are reserved for data variables and should not contain program code.

Note

The Flash and OTP wait states can be configured by the application. This allows applications running at slower frequencies to configure the flash to use fewer wait states.

Flash effective performance can be improved by enabling the flash pipeline mode in the Flash options register. With this mode enabled, effective performance of linear code execution will be much faster than the raw performance indicated by the wait-state configuration alone. The exact performance gain when using the Flash pipeline mode is application-dependent.

For more information on the Flash options, Flash wait state, and OTP wait-state registers, see the System Control chapter in the [TMS320F2803x Real-Time Microcontrollers Technical Reference Manual](#).

7.1.7 M0, M1 SARAMs

All devices contain these two blocks of single access memory, each 1K × 16 in size. The stack pointer points to the beginning of block M1 on reset. The M0 and M1 blocks, like all other memory blocks on C28x devices, are mapped to both program and data space. Hence, the user can use M0 and M1 to execute code or for data variables. The partitioning is performed within the linker. The C28x device presents a unified memory map to the programmer. This makes for easier programming in high-level languages.

7.1.8 L0 SARAM, and L1, L2, and L3 DPSARAMs

The device contains up to 8K × 16 of single-access RAM. To ascertain the exact size for a given device, see the device-specific memory map figures in [Section 7.2](#). This block is mapped to both program and data space. Block L0 is 2K in size and is dual mapped to both program and data space. Blocks L1 and L2 are both 1K in size and are shared with the CLA which can utilize these blocks for its data space. Block L3 is 4K (2K on the 28031 device) in size and is shared with the CLA which can utilize this block for its program space. DPSARAM refers to the dual-port configuration of these blocks.

7.1.9 Boot ROM

The Boot ROM is factory-programmed with bootloader software. The Boot ROM uses the boot-mode-select GPIO pins to determine what boot mode to use upon power up. The user can select to boot normally to application code, to download new software from an external connection, or to select boot software that is programmed in the internal Flash/ROM. The Boot ROM also contains standard tables, such as SIN/COS waveforms, for use in math-related algorithms. The boot-ROM content, and hence the checksum value, may vary for different silicon revisions. For details, see the Boot ROM chapter in the [TMS320F2803x Real-Time Microcontrollers Technical Reference Manual](#).

Table 7-1. Boot Mode Selection

| MODE | GPIO37/TDO | GPIO34/COMP2OUT/ COMP3OUT | TRST | MODE |
|------|------------|------------------------------|------|---|
| 3 | 1 | 1 | 0 | GetMode |
| 2 | 1 | 0 | 0 | Wait (see Section 7.1.10 for description) |
| 1 | 0 | 1 | 0 | SCI |
| 0 | 0 | 0 | 0 | Parallel IO |
| EMU | x | x | 1 | Emulation Boot |

7.1.9.1 Emulation Boot

When the JTAG debug probe is connected, the GPIO37/TDO pin cannot be used for boot mode selection. In this case, the boot ROM detects that a JTAG debug probe is connected and uses the contents of two reserved SARAM locations in the PIE vector table to determine the boot mode. If the content of either location is invalid, then the *Wait* boot option is used. All boot mode options can be accessed in emulation boot.

7.1.9.2 GetMode

The default behavior of the *GetMode* option is to boot to flash. This behavior can be changed to another boot option by programming two locations in the OTP. If the content of either OTP location is invalid, then boot to flash is used. One of the following loaders can be specified: SCI, SPI, I2C, CAN, or OTP.

7.1.9.3 Peripheral Pins Used by the Bootloader

[Table 7-2](#) shows which GPIO pins are used by each peripheral bootloader. Refer to the GPIO mux table to see if these conflict with any of the peripherals you would like to use in your application.

Table 7-2. Peripheral Bootload Pins

| BOOTLOADER | PERIPHERAL LOADER PINS |
|---------------|--|
| SCI | SCIRXDA (GPIO28) SCITXDA (GPIO29) |
| Parallel Boot | Data (GPIO31,30,5:0) 28x Control (AIO6) Host Control (AIO12) |
| SPI | SPISIMOA (GPIO16) SPISOMIA (GPIO17) SPICLKA (GPIO18) SPISTEA (GPIO19) |
| I2C | SDAA (GPIO32) SCLA (GPIO33) |
| CAN | CANRXA (GPIO30) CANTXA (GPIO31) |

7.1.10 Security

The devices support high levels of security to protect the user firmware from being reverse engineered. The security features a 128-bit password (hardcoded for 16 wait states), which the user programs into the flash. One code security module (CSM) is used to protect the flash/OTP and the L0/L1 SARAM blocks. The security feature prevents unauthorized users from examining the memory contents through the JTAG port or trying to boot-load some undesirable software that would export the secure memory contents. To enable access to the secure blocks, the user must write the correct 128-bit KEY value that matches the value stored in the password locations within the Flash.

In addition to the CSM, the emulation code security logic (ECSL) has been implemented to prevent unauthorized users from stepping through secure code. Any code or data access to flash, user OTP, or Lx memory while the JTAG debug probe is connected will trip the ECSL and break the debug probe connection. To allow debug of secure code, while maintaining the CSM protection against secure memory reads, the user must write the correct value into the lower 64 bits of the KEY register (KEY0–KEY3), which matches the value stored in the lower 64 bits of the password locations (PWL0–PWL3) within the flash. Dummy reads of all 128 bits of the password in the flash must still be performed. If the lower 64 bits of the password locations are all ones (unprogrammed), then the KEY value does not need to match. During debug of secure code, operations like single-stepping is possible. However, the actual contents of the secure memory cannot be seen in the CCS window.

When power is applied to a secure device that is connected to a JTAG debug probe, the CPU will start executing and may execute an instruction that performs an access to a protected area. If this happens, the ECSL will trip and cause the JTAG circuitry to be deactivated. Under this condition, a host (such as a computer running CCS or flash programming software) would not be able to establish connection with the device.

The solution is to use the *Wait* boot option. In this mode, code loops around a software breakpoint to allow a JTAG debug probe to be connected without tripping security. The user can then exit this mode once the JTAG debug probe is connected by using one of the emulation boot options as described in the Boot ROM chapter in the [TMS320F2803x Real-Time Microcontrollers Technical Reference Manual](#). These devices do not support a hardware wait-in-reset mode.

If reprogramming of a secure device via JTAG is desired, it is important to put in the needed hooks in the board design to be able to put the device in *Wait* boot mode upon power-up. Otherwise, ECSL may deactivate the JTAG circuitry and prevent connection to the device, as mentioned earlier.

Note

- When the code-security passwords are programmed, all addresses from 0x3F7F80 to 0x3F7FF5 cannot be used as program code or data. These locations must be programmed to 0x0000.
- If reprogramming of a secure device via JTAG may be needed in future, it is important to design the board in such a way that the device could be put in *Wait* boot mode upon power-up (when reprogramming is warranted). Otherwise, ECSL may deactivate the JTAG circuitry and prevent connection to the device, as mentioned earlier. If reconfiguring the device for *Wait* boot mode in the field is not practical, some mechanism must be implemented in the firmware to detect when a firmware update is warranted. Code could then branch to the desired bootloader in the bootROM. It could also branch to the *Wait* bootmode, at which point the JTAG debug probe could be connected, device unsecured and programming accomplished through JTAG itself.
- If the code security feature is not used, addresses 0x3F7F80 to 0x3F7FEF may be used for code or data. Addresses 0x3F7FF0 to 0x3F7FF5 are reserved for data and should not contain program code.

The 128-bit password (at 0x3F 7FF8 to 0x3F 7FFF) must not be programmed to zeros. Doing so would permanently lock the device.

Code Security Module Disclaimer

THE CODE SECURITY MODULE (CSM) INCLUDED ON THIS DEVICE WAS DESIGNED TO PASSWORD PROTECT THE DATA STORED IN THE ASSOCIATED MEMORY (EITHER ROM OR FLASH) AND IS WARRANTED BY TEXAS INSTRUMENTS (TI), IN ACCORDANCE WITH ITS STANDARD TERMS AND CONDITIONS, TO CONFORM TO TI'S PUBLISHED SPECIFICATIONS FOR THE WARRANTY PERIOD APPLICABLE FOR THIS DEVICE.

TI DOES NOT, HOWEVER, WARRANT OR REPRESENT THAT THE CSM CANNOT BE COMPROMISED OR BREACHED OR THAT THE DATA STORED IN THE ASSOCIATED MEMORY CANNOT BE ACCESSED THROUGH OTHER MEANS. MOREOVER, EXCEPT AS SET FORTH ABOVE, TI MAKES NO WARRANTIES OR REPRESENTATIONS CONCERNING THE CSM OR OPERATION OF THIS DEVICE, INCLUDING ANY IMPLIED WARRANTIES OF MERCHANTABILITY OR FITNESS FOR A PARTICULAR PURPOSE.

IN NO EVENT SHALL TI BE LIABLE FOR ANY CONSEQUENTIAL, SPECIAL, INDIRECT, INCIDENTAL, OR PUNITIVE DAMAGES, HOWEVER CAUSED, ARISING IN ANY WAY OUT OF YOUR USE OF THE CSM OR THIS DEVICE, WHETHER OR NOT TI HAS BEEN ADVISED OF THE POSSIBILITY OF SUCH DAMAGES. EXCLUDED DAMAGES INCLUDE, BUT ARE NOT LIMITED TO LOSS OF DATA, LOSS OF GOODWILL, LOSS OF USE OR INTERRUPTION OF BUSINESS OR OTHER ECONOMIC LOSS.

7.1.11 Peripheral Interrupt Expansion (PIE) Block

The PIE block serves to multiplex numerous interrupt sources into a smaller set of interrupt inputs. The PIE block can support up to 96 peripheral interrupts. On the F2803x, 56 of the possible 96 interrupts are used by peripherals. The 96 interrupts are grouped into blocks of 8 and each group is fed into 1 of 12 CPU interrupt lines (INT1 to INT12). Each of the 96 interrupts is supported by its own vector stored in a dedicated RAM block that can be overwritten by the user. The vector is automatically fetched by the CPU on servicing the interrupt. It takes 8 CPU clock cycles to fetch the vector and save critical CPU registers. Hence the CPU can quickly respond to interrupt events. Prioritization of interrupts is controlled in hardware and software. Each individual interrupt can be enabled/disabled within the PIE block.

7.1.12 External Interrupts (XINT1–XINT3)

The devices support three masked external interrupts (XINT1–XINT3). Each of the interrupts can be selected for negative, positive, or both negative and positive edge triggering and can also be enabled/disabled. These interrupts also contain a 16-bit free running up counter, which is reset to zero when a valid interrupt edge is detected. This counter can be used to accurately time stamp the interrupt. There are no dedicated pins for the external interrupts. XINT1, XINT2, and XINT3 interrupts can accept inputs from GPIO0–GPIO31 pins.

7.1.13 Internal Zero Pin Oscillators, Oscillator, and PLL

The device can be clocked by either of the two internal zero-pin oscillators, an external oscillator, or by a crystal attached to the on-chip oscillator circuit. A PLL is provided supporting up to 12 input-clock-scaling ratios. The PLL ratios can be changed on-the-fly in software, enabling the user to scale back on operating frequency if lower power operation is desired. Refer to [Section 6](#), Electrical Specifications, for timing details. The PLL block can be set in bypass mode.

7.1.14 Watchdog

Each device contains two watchdogs: CPU watchdog that monitors the core and NMI watchdog that is a missing clock-detect circuit. The user software must regularly reset the CPU watchdog counter within a certain time frame; otherwise, the CPU watchdog generates a reset to the processor. The CPU watchdog can be disabled if necessary. The NMI watchdog engages only in case of a clock failure and can either generate an interrupt or a device reset.

7.1.15 Peripheral Clocking

The clocks to each individual peripheral can be enabled/disabled to reduce power consumption when a peripheral is not in use. Additionally, the system clock to the serial ports (except I2C) can be scaled relative to the CPU clock.

7.1.16 Low-power Modes

The devices are full static CMOS devices. Three low-power modes are provided:

- IDLE:** Place CPU in low-power mode. Peripheral clocks may be turned off selectively and only those peripherals that must function during IDLE are left operating. An enabled interrupt from an active peripheral or the watchdog timer will wake the processor from IDLE mode.
- STANDBY:** Turns off clock to CPU and peripherals. This mode leaves the oscillator and PLL functional. An external interrupt event will wake the processor and the peripherals. Execution begins on the next valid cycle after detection of the interrupt event
- HALT:** This mode basically shuts down the device and places it in the lowest possible power consumption mode. If the internal zero-pin oscillators are used as the clock source, the HALT mode turns them off, by default. To keep these oscillators from shutting down, the INTOSCnHALTI bits in CLKCTL register may be used. The zero-pin oscillators may thus be used to clock the CPU watchdog in this mode. If the on-chip crystal oscillator is used as the clock source, it is shut down in this mode. A reset or an external signal (through a GPIO pin) or the CPU watchdog can wake the device from this mode.

The CPU clock (OSCCLK) and watchdog clock source should be from the same clock source before attempting to put the device into HALT or STANDBY.

7.1.17 Peripheral Frames 0, 1, 2, 3 (PFn)

The device segregates peripherals into four sections. The mapping of peripherals is as follows:

| | | |
|------|--------------|---|
| PF0: | PIE: | PIE Interrupt Enable and Control Registers Plus PIE Vector Table |
| | Flash: | Flash Wait-State Registers |
| | Timers: | CPU-Timers 0, 1, 2 Registers |
| | CSM: | Code Security Module KEY Registers |
| | ADC: | ADC Result Registers |
| | CLA | Control Law Accelerator Registers and Message RAMs |
| PF1: | GPIO: | GPIO MUX Configuration and Control Registers |
| | eCAN: | Enhanced Control Area Network Configuration and Control Registers |
| | LIN: | Local Interconnect Network Configuration and Control Registers |
| | eCAP: | Enhanced Capture Module and Registers |
| | eQEP: | Enhanced Quadrature Encoder Pulse Module and Registers |
| | HRCAP: | High-Resolution Capture Module and Registers |
| PF2: | SYS: | System Control Registers |
| | SCI: | Serial Communications Interface (SCI) Control and RX/TX Registers |
| | SPI: | Serial Port Interface (SPI) Control and RX/TX Registers |
| | ADC: | ADC Status, Control, and Configuration Registers |
| | I2C: | Inter-Integrated Circuit Module and Registers |
| | XINT: | External Interrupt Registers |
| PF3: | ePWM: | Enhanced Pulse Width Modulator Module and Registers |
| | HRPWM: | High-Resolution Pulse-Width Modulator Registers |
| | Comparators: | Comparator Modules |

7.1.18 General-Purpose Input/Output (GPIO) Multiplexer

Most of the peripheral signals are multiplexed with general-purpose input/output (GPIO) signals. This enables the user to use a pin as GPIO if the peripheral signal or function is not used. On reset, GPIO pins are configured as inputs. The user can individually program each pin for GPIO mode or peripheral signal mode. For specific inputs, the user can also select the number of input qualification cycles. This is to filter unwanted noise glitches. The GPIO signals can also be used to bring the device out of specific low-power modes.

7.1.19 32-Bit CPU-Timers (0, 1, 2)

CPU-Timers 0, 1, and 2 are identical 32-bit timers with presetable periods and with 16-bit clock prescaling. The timers have a 32-bit count-down register, which generates an interrupt when the counter reaches zero. The counter is decremented at the CPU clock speed divided by the prescale value setting. When the counter reaches zero, it is automatically reloaded with a 32-bit period value.

CPU-Timer 0 is for general use and is connected to the PIE block. CPU-Timer 1 is also for general use and can be connected to INT13 of the CPU. CPU-Timer 2 is reserved for DSP/BIOS. It is connected to INT14 of the CPU. If DSP/BIOS is not being used, CPU-Timer 2 is available for general use.

CPU-Timer 2 can be clocked by any one of the following:

- SYSCLKOUT (default)
- Internal zero-pin oscillator 1 (INTOSC1)
- Internal zero-pin oscillator 2 (INTOSC2)
- External clock source

7.1.20 Control Peripherals

The devices support the following peripherals that are used for embedded control and communication:

- ePWM:** The enhanced PWM peripheral supports independent/complementary PWM generation, adjustable dead-band generation for leading/trailing edges, latched/cycle-by-cycle trip mechanism. Some of the PWM pins support the HRPWM high resolution duty and period features. The type 1 module found on 2803x devices also supports increased dead-band resolution, enhanced SOC and interrupt generation, and advanced triggering including trip functions based on comparator outputs.
- eCAP:** The enhanced capture peripheral uses a 32-bit time base and registers up to four programmable events in continuous/one-shot capture modes. This peripheral can also be configured to generate an auxiliary PWM signal.
- eQEP:** The enhanced QEP peripheral uses a 32-bit position counter, supports low-speed measurement using capture unit and high-speed measurement using a 32-bit unit timer. This peripheral has a watchdog timer to detect motor stall and input error detection logic to identify simultaneous edge transition in QEP signals.
- ADC:** The ADC block is a 12-bit converter. It has up to 16 single-ended channels pinned out, depending on the device. It contains two sample-and-hold units for simultaneous sampling.
- Comparator:** Each comparator block consists of one analog comparator along with an internal 10-bit reference for supplying one input of the comparator.
- HRCAP:** The high-resolution capture peripheral operates in normal capture mode through a 16-bit counter clocked off of the HCCAPCLK or in high-resolution capture mode by utilizing built-in calibration logic in conjunction with a TI-supplied calibration library.

7.1.21 Serial Port Peripherals

The devices support the following serial communication peripherals:

- SPI:** The SPI is a high-speed, synchronous serial I/O port that allows a serial bit stream of programmed length (1 to 16 bits) to be shifted into and out of the device at a programmable bit-transfer rate. Normally, the SPI is used for communications between the MCU and external peripherals or another processor. Typical applications include external I/O or peripheral expansion through devices such as shift registers, display drivers, and ADCs. Multidevice communications are supported by the master/slave operation of the SPI. The SPI contains a 4-level receive and transmit FIFO for reducing interrupt servicing overhead.
- SCI:** The serial communications interface is a two-wire asynchronous serial port, commonly known as UART. The SCI contains a 4-level receive and transmit FIFO for reducing interrupt servicing overhead.
- I2C:** The inter-integrated circuit (I2C) module provides an interface between an MCU and other devices compliant with Philips Semiconductors Inter-IC bus (I2C-bus®) specification version 2.1 and connected by way of an I²C-bus. External components attached to this 2-wire serial bus can transmit/receive up to 8-bit data to/from the MCU through the I2C module. The I2C contains a 4-level receive and transmit FIFO for reducing interrupt servicing overhead.
- eCAN:** This is the enhanced version of the CAN peripheral. It supports 32 mailboxes, time stamping of messages, and is compliant with ISO11898-1 (CAN 2.0B).
- LIN:** LIN 1.3 or 2.0 compatible peripheral. Can also be configured as additional SCI port

7.2 Memory Maps

In [Figure 7-1](#) through [Figure 7-4](#), the following apply:

- Memory blocks are not to scale.
- Peripheral Frame 0, Peripheral Frame 1, Peripheral Frame 2, and Peripheral Frame 3 memory maps are restricted to data memory only. A user program cannot access these memory maps in program space.
- *Protected* means the order of Write-followed-by-Read operations is preserved rather than the pipeline order.
- Certain memory ranges are EALLOW protected against spurious writes after configuration.
- Locations 0x3D7C80 to 0x3D7CC0 contain the internal oscillator and ADC calibration routines. These locations are not programmable by the user.

| | Data Space | Prog Space |
|-----------|--|------------|
| 0x00 0000 | <i>M0 Vector RAM (Enabled if VMAP = 0)</i> | |
| 0x00 0040 | M0 SARAM (1K × 16, 0-Wait) | |
| 0x00 0400 | M1 SARAM (1K × 16, 0-Wait) | |
| 0x00 0800 | Peripheral Frame 0 | Reserved |
| 0x00 0D00 | PIE Vector - RAM (256 × 16) (Enabled if VMAP = 1, ENPIE = 1) | |
| 0x00 0E00 | Peripheral Frame 0 | |
| 0x00 1400 | CLA Registers | |
| 0x00 1480 | CLA-to-CPU Message RAM | |
| 0x00 1500 | CPU-to-CLA Message RAM | |
| 0x00 1580 | Peripheral Frame 0 | |
| 0x00 2000 | Reserved | |
| 0x00 6000 | Peripheral Frame 1 (1K × 16, Protected) | Reserved |
| 0x00 6400 | Peripheral Frame 3 (1.5K × 16, Protected) | |
| 0x00 6A00 | Peripheral Frame 1 (1.5K × 16, Protected) | |
| 0x00 7000 | Peripheral Frame 2 (4K × 16, Protected) | |
| 0x00 8000 | L0 SARAM (2K × 16) (0-Wait, Secure Zone + ECSL, Dual-Mapped) | |
| 0x00 8800 | L1 DPSARAM (1K × 16) (0-Wait, Secure Zone + ECSL, CLA Data RAM 0) | |
| 0x00 8C00 | L2 DPSARAM (1K × 16) (0-Wait, Secure Zone + ECSL, CLA Data RAM 1) | |
| 0x00 9000 | L3 DPSARAM (4K × 16) (0-Wait, Secure Zone + ECSL, CLA Prog RAM) | |
| 0x00 A000 | Reserved | |
| 0x3D 7800 | User OTP (1K × 16, Secure Zone + ECSL) | |
| 0x3D 7C00 | Reserved | |
| 0x3D 7C80 | Calibration Data | |
| 0x3D 7CC0 | Get_mode function | |
| 0x3D 7CE0 | Reserved | |
| 0x3D 7E80 | PARTID | |
| | Calibration Data | |
| 0x3D 7EB0 | Reserved | |
| 0x3E 8000 | FLASH (64K × 16, 8 Sectors, Secure Zone + ECSL) | |
| 0x3F 7FF8 | 128-Bit Password | |
| 0x3F 8000 | L0 SARAM (2K × 16) (0-Wait, Secure Zone + ECSL, Dual-Mapped) | |
| 0x3F 8800 | Reserved | |
| 0x3F E000 | Boot ROM (8K × 16, 0-Wait) | |
| 0x3F FFC0 | <i>Vector (32 Vectors, Enabled if VMAP = 1)</i> | |

- A. CLA-specific registers and RAM apply to the 28035 device only.
- B. Memory locations 0x3D7E80-0x3D7EAF are reserved in TMX silicon.

Figure 7-1. 28034/28035 Memory Map

| | Data Space | Prog Space |
|-----------|--|------------|
| 0x00 0000 | <i>M0 Vector RAM (Enabled if VMAP = 0)</i> | |
| 0x00 0040 | M0 SARAM (1K × 16, 0-Wait) | |
| 0x00 0400 | M1 SARAM (1K × 16, 0-Wait) | |
| 0x00 0800 | Peripheral Frame 0 | Reserved |
| 0x00 0D00 | PIE Vector - RAM (256 × 16) (Enabled if VMAP = 1, ENPIE = 1) | |
| 0x00 0E00 | Peripheral Frame 0 | |
| 0x00 1400 | CLA Registers | |
| 0x00 1480 | CLA-to-CPU Message RAM | |
| 0x00 1500 | CPU-to-CLA Message RAM | |
| 0x00 1580 | Peripheral Frame 0 | |
| 0x00 2000 | Reserved | |
| 0x00 6000 | Peripheral Frame 1 (1K × 16, Protected) | Reserved |
| 0x00 6400 | Peripheral Frame 3 (1.5K × 16, Protected) | |
| 0x00 6A00 | Peripheral Frame 1 (1.5K × 16, Protected) | |
| 0x00 7000 | Peripheral Frame 2 (4K × 16, Protected) | |
| 0x00 8000 | L0 SARAM (2K × 16) (0-Wait, Secure Zone + ECSL, Dual-Mapped) | |
| 0x00 8800 | L1 DPSARAM (1K × 16) (0-Wait, Secure Zone + ECSL, CLA Data RAM 0) | |
| 0x00 8C00 | L2 DPSARAM (1K × 16) (0-Wait, Secure Zone + ECSL, CLA Data RAM 1) | |
| 0x00 9000 | L3 DPSARAM (4K × 16) (0-Wait, Secure Zone + ECSL, CLA Prog RAM) | |
| 0x00 A000 | Reserved | |
| 0x3D 7800 | User OTP (1K × 16, Secure Zone + ECSL) | |
| 0x3D 7C00 | Reserved | |
| 0x3D 7C80 | Calibration Data | |
| 0x3D 7CC0 | Get_mode function | |
| 0x3D 7CE0 | Reserved | |
| 0x3D 7E80 | PARTID | |
| | Calibration Data | |
| 0x3D 7EB0 | Reserved | |
| 0x3F 0000 | FLASH (32K × 16, 8 Sectors, Secure Zone + ECSL) | |
| 0x3F 7FF8 | 128-Bit Password | |
| 0x3F 8000 | L0 SARAM (2K × 16) (0-Wait, Secure Zone + ECSL, Dual-Mapped) | |
| 0x3F 8800 | Reserved | |
| 0x3F E000 | Boot ROM (8K × 16, 0-Wait) | |
| 0x3F FFC0 | <i>Vector (32 Vectors, Enabled if VMAP = 1)</i> | |

- A. CLA-specific registers and RAM apply to the 28033 device only.
- B. Memory locations 0x3D7E80-0x3D7EAF are reserved in TMX silicon.

Figure 7-2. 28032/28033 Memory Map

| | Data Space | Prog Space |
|-----------|--|------------|
| 0x00 0000 | <i>M0 Vector RAM (Enabled if VMAP = 0)</i> | |
| 0x00 0040 | M0 SARAM (1K × 16, 0-Wait) | |
| 0x00 0400 | M1 SARAM (1K × 16, 0-Wait) | |
| 0x00 0800 | Peripheral Frame 0 | Reserved |
| 0x00 0D00 | PIE Vector - RAM (256 × 16) (Enabled if VMAP = 1, ENPIE = 1) | |
| 0x00 0E00 | Peripheral Frame 0 | |
| 0x00 2000 | Reserved | |
| 0x00 6000 | Peripheral Frame 1 (1K × 16, Protected) | Reserved |
| 0x00 6400 | Peripheral Frame 3 (1.5K × 16, Protected) | |
| 0x00 6A00 | Peripheral Frame 1 (1.5K × 16, Protected) | |
| 0x00 7000 | Peripheral Frame 2 (4K × 16, Protected) | |
| 0x00 8000 | L0 SARAM (2K × 16) (0-Wait, Secure Zone + ECSL, Dual-Mapped) | |
| 0x00 8800 | L1 DPSARAM (1K × 16) (0-Wait, Secure Zone + ECSL, CLA Data RAM 0) | |
| 0x00 8C00 | L2 DPSARAM (1K × 16) (0-Wait, Secure Zone + ECSL, CLA Data RAM 1) | |
| 0x00 9000 | L3 DPSARAM (2K × 16) (0-Wait, Secure Zone + ECSL, CLA Prog RAM) | |
| 0x00 9800 | Reserved | |
| 0x3D 7800 | User OTP (1K × 16, Secure Zone + ECSL) | |
| 0x3D 7C00 | Reserved | |
| 0x3D 7C80 | Calibration Data | |
| 0x3D 7CC0 | Get_mode function | |
| 0x3D 7CE0 | Reserved | |
| 0x3D 7E80 | PARTID | |
| | Calibration Data | |
| 0x3D 7EB0 | Reserved | |
| 0x3F 0000 | FLASH (32K × 16, 8 Sectors, Secure Zone + ECSL) | |
| 0x3F 7FF8 | 128-Bit Password | |
| 0x3F 8000 | L0 SARAM (2K × 16) (0-Wait, Secure Zone + ECSL, Dual-Mapped) | |
| 0x3F 8800 | Reserved | |
| 0x3F E000 | Boot ROM (8K × 16, 0-Wait) | |
| 0x3F FFC0 | <i>Vector (32 Vectors, Enabled if VMAP = 1)</i> | |

A. Memory locations 0x3D7E80-0x3D7EAF are reserved in TMX silicon.

Figure 7-3. 28031 Memory Map

| | Data Space | Prog Space |
|-----------|--|------------|
| 0x00 0000 | <i>M0 Vector RAM (Enabled if VMAP = 0)</i> | |
| 0x00 0040 | M0 SARAM (1K × 16, 0-Wait) | |
| 0x00 0400 | M1 SARAM (1K × 16, 0-Wait) | |
| 0x00 0800 | Peripheral Frame 0 | Reserved |
| 0x00 0D00 | PIE Vector - RAM (256 × 16) (Enabled if VMAP = 1, ENPIE = 1) | |
| 0x00 0E00 | Peripheral Frame 0 | |
| 0x00 2000 | Reserved | |
| 0x00 6000 | Peripheral Frame 1 (1K × 16, Protected) | Reserved |
| 0x00 6400 | Peripheral Frame 3 (1.5K × 16, Protected) | |
| 0x00 6A00 | Peripheral Frame 1 (1.5K × 16, Protected) | |
| 0x00 7000 | Peripheral Frame 2 (4K × 16, Protected) | |
| 0x00 8000 | L0 SARAM (2K × 16) (0-Wait, Secure Zone + ECSL, Dual-Mapped) | |
| 0x00 8800 | L1 DPSARAM (1K × 16) (0-Wait, Secure Zone + ECSL, CLA Data RAM 0) | |
| 0x00 8C00 | L2 DPSARAM (1K × 16) (0-Wait, Secure Zone + ECSL, CLA Data RAM 1) | |
| 0x00 9000 | Reserved | |
| 0x00 A000 | Reserved | |
| 0x3D 7800 | User OTP (1K × 16, Secure Zone + ECSL) | |
| 0x3D 7C00 | Reserved | |
| 0x3D 7C80 | Calibration Data | |
| 0x3D 7CC0 | Get_mode function | |
| 0x3D 7CE0 | Reserved | |
| 0x3D 7E80 | PARTID | |
| | Calibration Data | |
| 0x3D 7EB0 | Reserved | |
| 0x3F 4000 | FLASH (16K × 16, 4 Sectors, Secure Zone + ECSL) | |
| 0x3F 7FF8 | 128-Bit Password | |
| 0x3F 8000 | L0 SARAM (2K × 16) (0-Wait, Secure Zone + ECSL, Dual-Mapped) | |
| 0x3F 8800 | Reserved | |
| 0x3F E000 | Boot ROM (8K × 16, 0-Wait) | |
| 0x3F FFC0 | <i>Vector (32 Vectors, Enabled if VMAP = 1)</i> | |

A. Memory locations 0x3D7E80-0x3D7EAF are reserved in TMX silicon.

Figure 7-4. 28030 Memory Map

Table 7-3. Addresses of Flash Sectors in F28034/28035

| ADDRESS RANGE | PROGRAM AND DATA SPACE |
|------------------------|--|
| 0x3E 8000 to 0x3E 9FFF | Sector H (8K × 16) |
| 0x3E A000 to 0x3E BFFF | Sector G (8K × 16) |
| 0x3E C000 to 0x3E DFFF | Sector F (8K × 16) |
| 0x3E E000 to 0x3E FFFF | Sector E (8K × 16) |
| 0x3F 0000 to 0x3F 1FFF | Sector D (8K × 16) |
| 0x3F 2000 to 0x3F 3FFF | Sector C (8K × 16) |
| 0x3F 4000 to 0x3F 5FFF | Sector B (8K × 16) |
| 0x3F 6000 to 0x3F 7F7F | Sector A (8K × 16) |
| 0x3F 7F80 to 0x3F 7FF5 | Program to 0x0000 when using the Code Security Module |
| 0x3F 7FF6 to 0x3F 7FF7 | Boot-to-Flash Entry Point (program branch instruction here) |
| 0x3F 7FF8 to 0x3F 7FFF | Security Password (128-Bit) (Do not program to all zeros) |

Table 7-4. Addresses of Flash Sectors in F28031/28032/28033

| ADDRESS RANGE | PROGRAM AND DATA SPACE |
|------------------------|--|
| 0x3F 0000 to 0x3F 0FFF | Sector H (4K × 16) |
| 0x3F 1000 to 0x3F 1FFF | Sector G (4K × 16) |
| 0x3F 2000 to 0x3F 2FFF | Sector F (4K × 16) |
| 0x3F 3000 to 0x3F 3FFF | Sector E (4K × 16) |
| 0x3F 4000 to 0x3F 4FFF | Sector D (4K × 16) |
| 0x3F 5000 to 0x3F 5FFF | Sector C (4K × 16) |
| 0x3F 6000 to 0x3F 6FFF | Sector B (4K × 16) |
| 0x3F 7000 to 0x3F 7F7F | Sector A (4K × 16) |
| 0x3F 7F80 to 0x3F 7FF5 | Program to 0x0000 when using the Code Security Module |
| 0x3F 7FF6 to 0x3F 7FF7 | Boot-to-Flash Entry Point (program branch instruction here) |
| 0x3F 7FF8 to 0x3F 7FFF | Security Password (128-Bit) (Do not program to all zeros) |

Table 7-5. Addresses of Flash Sectors in F28030

| ADDRESS RANGE | PROGRAM AND DATA SPACE |
|------------------------|--|
| 0x3F 4000 to 0x3F 4FFF | Sector D (4K × 16) |
| 0x3F 5000 to 0x3F 5FFF | Sector C (4K × 16) |
| 0x3F 6000 to 0x3F 6FFF | Sector B (4K × 16) |
| 0x3F 7000 to 0x3F 7F7F | Sector A (4K × 16) |
| 0x3F 7F80 to 0x3F 7FF5 | Program to 0x0000 when using the Code Security Module |
| 0x3F 7FF6 to 0x3F 7FF7 | Boot-to-Flash Entry Point (program branch instruction here) |
| 0x3F 7FF8 to 0x3F 7FFF | Security Password (128-Bit) (Do not program to all zeros) |

Note

- When the code-security passwords are programmed, all addresses from 0x3F 7F80 to 0x3F 7FF5 cannot be used as program code or data. These locations must be programmed to 0x0000.
- If the code security feature is not used, addresses 0x3F 7F80 to 0x3F 7FEF may be used for code or data. Addresses 0x3F 7FF0 to 0x3F 7FF5 are reserved for data and should not contain program code.

Table 7-6 shows how to handle these memory locations.

Table 7-6. Impact of Using the Code Security Module

| ADDRESS | FLASH | |
|------------------------|-----------------------|---------------------------|
| | CODE SECURITY ENABLED | CODE SECURITY DISABLED |
| 0x3F 7F80 to 0x3F 7FEF | Fill with 0x0000 | Application code and data |
| 0x3F 7FF0 to 0x3F 7FF5 | | Reserved for data only |

Peripheral Frame 1, Peripheral Frame 2, and Peripheral Frame 3 are grouped together to enable these blocks to be write/read peripheral block protected. The protected mode makes sure that all accesses to these blocks happen as written. Because of the pipeline, a write immediately followed by a read to different memory locations, will appear in reverse order on the memory bus of the CPU. This can cause problems in certain peripheral applications where the user expected the write to occur first (as written). The CPU supports a block protection mode where a region of memory can be protected so that operations occur as written (the penalty is extra cycles are added to align the operations). This mode is programmable and by default, it protects the selected zones.

The wait states for the various spaces in the memory map area are listed in Table 7-7.

Table 7-7. Wait States

| AREA | WAIT STATES (CPU) | COMMENTS |
|--------------------|-------------------------------------|---|
| M0 and M1 SARAMs | 0-wait | Fixed |
| Peripheral Frame 0 | 0-wait | |
| Peripheral Frame 1 | 0-wait (writes) | Cycles can be extended by peripheral generated ready. |
| | 2-wait (reads) | Back-to-back write operations to Peripheral Frame 1 registers will incur a 1-cycle stall (1-cycle delay). |
| Peripheral Frame 2 | 0-wait (writes) | Fixed. Cycles cannot be extended by the peripheral. |
| | 2-wait (reads) | |
| Peripheral Frame 3 | 0-wait (writes) | Assumes no conflict between CPU and CLA. |
| | 2-wait (reads) | Cycles can be extended by peripheral-generated ready. |
| L0 SARAM | 0-wait data and program | Assumes no CPU conflicts |
| L1 SARAM | 0-wait data and program | Assumes no CPU conflicts |
| L2 SARAM | 0-wait data and program | Assumes no CPU conflicts |
| L3 SARAM | 0-wait data and program | Assumes no CPU conflicts |
| OTP | Programmable | Programmed through the Flash registers. |
| | 1-wait minimum | 1-wait is minimum number of wait states allowed. |
| FLASH | Programmable | Programmed through the Flash registers. |
| | 0-wait Paged min | |
| | 1-wait Random min Random ≥ Paged | |
| FLASH Password | 16-wait fixed | Wait states of password locations are fixed. |
| Boot-ROM | 0-wait | |

7.3 Register Maps

The devices contain four peripheral register spaces. The spaces are categorized as follows:

- Peripheral Frame 0: These are peripherals that are mapped directly to the CPU memory bus. See [Table 7-8](#).
- Peripheral Frame 1: These are peripherals that are mapped to the 32-bit peripheral bus. See [Table 7-9](#).
- Peripheral Frame 2: These are peripherals that are mapped to the 16-bit peripheral bus. See [Table 7-10](#).
- Peripheral Frame 3: These are peripherals that are mapped to the 32-bit peripheral bus and are accessible by the CLA. See [Table 7-11](#).

Table 7-8. Peripheral Frame 0 Registers

| NAME ⁽¹⁾ | ADDRESS RANGE | SIZE (×16) | EALLOW PROTECTED ⁽²⁾ |
|---|------------------------|------------|---------------------------------|
| Device Emulation Registers | 0x00 0880 to 0x00 0984 | 261 | Yes |
| System Power Control Registers | 0x00 0985 to 0x00 0987 | 3 | Yes |
| FLASH Registers ⁽³⁾ | 0x00 0A80 to 0x00 0ADF | 96 | Yes |
| Code Security Module Registers | 0x00 0AE0 to 0x00 0AEF | 16 | Yes |
| ADC registers (0 wait read only) | 0x00 0B00 to 0x00 0B0F | 16 | No |
| CPU–TIMER0/1/2 Registers | 0x00 0C00 to 0x00 0C3F | 64 | No |
| PIE Registers | 0x00 0CE0 to 0x00 0CFF | 32 | No |
| PIE Vector Table | 0x00 0D00 to 0x00 0DFF | 256 | No |
| CLA Registers | 0x00 1400 to 0x00 147F | 128 | Yes |
| CLA to CPU Message RAM (CPU writes ignored) | 0x00 1480 to 0x00 14FF | 128 | NA |
| CPU to CLA Message RAM (CLA writes ignored) | 0x00 1500 to 0x00 157F | 128 | NA |

- (1) Registers in Frame 0 support 16-bit and 32-bit accesses.
- (2) If registers are EALLOW protected, then writes cannot be performed until the EALLOW instruction is executed. The EDIS instruction disables writes to prevent stray code or pointers from corrupting register contents.
- (3) The Flash Registers are also protected by the Code Security Module (CSM).

Table 7-9. Peripheral Frame 1 Registers

| NAME | ADDRESS RANGE | SIZE (×16) | EALLOW PROTECTED |
|------------------|------------------------|------------|------------------|
| eCAN-A registers | 0x00 6000 to 0x00 61FF | 512 | (1) |
| eCAP1 registers | 0x00 6A00 to 0x00 6A1F | 32 | No |
| HRCAP1 registers | 0x00 6AC0 to 0x00 6ADF | 32 | (1) |
| HRCAP2 registers | 0x00 6AE0 to 0x00 6AFF | 32 | (1) |
| eQEP1 registers | 0x00 6B00 to 0x00 6B3F | 64 | (1) |
| LIN-A registers | 0x00 6C00 to 0x00 6C7F | 128 | (1) |
| GPIO registers | 0x00 6F80 to 0x00 6FFF | 128 | (1) |

- (1) Some registers are EALLOW protected. For more information, see the [TMS320F2803x Real-Time Microcontrollers Technical Reference Manual](#).

Table 7-10. Peripheral Frame 2 Registers

| NAME | ADDRESS RANGE | SIZE (×16) | EALLOW PROTECTED |
|----------------------------------|------------------------|------------|------------------|
| System Control Registers | 0x00 7010 to 0x00 702F | 32 | Yes |
| SPI-A Registers | 0x00 7040 to 0x00 704F | 16 | No |
| SCI-A Registers | 0x00 7050 to 0x00 705F | 16 | No |
| NMI Watchdog Interrupt Registers | 0x00 7060 to 0x00 706F | 16 | Yes |
| External Interrupt Registers | 0x00 7070 to 0x00 707F | 16 | Yes |
| ADC Registers | 0x00 7100 to 0x00 717F | 128 | (1) |
| I2C-A Registers | 0x00 7900 to 0x00 793F | 64 | (1) |
| SPI-B Registers | 0x00 7740 to 0x00 774F | 16 | No |

- (1) Some registers are EALLOW protected. For more information, see the [TMS320F2803x Real-Time Microcontrollers Technical Reference Manual](#).

Table 7-11. Peripheral Frame 3 Registers

| NAME | ADDRESS RANGE | SIZE (×16) | EALLOW PROTECTED |
|--------------------------|------------------------|------------|------------------|
| Comparator 1 registers | 0x00 6400 to 0x00 641F | 32 | (1) |
| Comparator 2 registers | 0x00 6420 to 0x00 643F | 32 | (1) |
| Comparator 3 registers | 0x00 6440 to 0x00 645F | 32 | (1) |
| ePWM1 + HRPWM1 registers | 0x00 6800 to 0x00 683F | 64 | (1) |
| ePWM2 + HRPWM2 registers | 0x00 6840 to 0x00 687F | 64 | (1) |
| ePWM3 + HRPWM3 registers | 0x00 6880 to 0x00 68BF | 64 | (1) |
| ePWM4 + HRPWM4 registers | 0x00 68C0 to 0x00 68FF | 64 | (1) |
| ePWM5 + HRPWM5 registers | 0x00 6900 to 0x00 693F | 64 | (1) |
| ePWM6 + HRPWM6 registers | 0x00 6940 to 0x00 697F | 64 | (1) |
| ePWM7 + HRPWM7 registers | 0x00 6980 to 0x00 69BF | 64 | (1) |

- (1) Some registers are EALLOW protected. For more information, see the [TMS320F2803x Real-Time Microcontrollers Technical Reference Manual](#).

7.4 Device Emulation Registers

These registers are used to control the protection mode of the C28x CPU and to monitor some critical device signals. The registers are defined in [Table 7-12](#).

Table 7-12. Device Emulation Registers

| NAME | ADDRESS RANGE | SIZE (x16) | DESCRIPTION | | | EALLOW PROTECTED |
|-----------------------|------------------|------------|-------------------------------|-------------------------------|--------|------------------|
| DEVICECNF | 0x0880 0x0881 | 2 | Device Configuration Register | | | Yes |
| PARTID ⁽¹⁾ | 0x3D 7E80 | 1 | Part ID Register | TMS320F28035PN | 0x00BF | No |
| | | | | TMS320F28035PAG | 0x00BE | |
| | | | | TMS320F28035RSH | 0x00BD | |
| | | | | TMS320F28034PN | 0x00BB | |
| | | | | TMS320F28034PAG | 0x00BA | |
| | | | | TMS320F28034RSH | 0x00B9 | |
| | | | | TMS320F28033PN | 0x00B7 | |
| | | | | TMS320F28033PAG | 0x00B6 | |
| | | | | TMS320F28033RSH | 0x00B5 | |
| | | | | TMS320F28032PN | 0x00B3 | |
| | | | | TMS320F28032PAG | 0x00B2 | |
| | | | | TMS320F28032RSH | 0x00B1 | |
| | | | | TMS320F28031PN | 0x00AF | |
| | | | | TMS320F28031PAG | 0x00AE | |
| | | | | TMS320F28031RSH | 0x00AD | |
| | | | | TMS320F28030PN | 0x00AB | |
| | | | | TMS320F28030PAG | 0x00AA | |
| | | | | TMS320F28030RSH | 0x00A9 | |
| CLASSID | 0x0882 | 1 | Class ID Register | TMS320F28035 | 0x00BF | No |
| | | | | TMS320F28034 | 0x00BB | |
| | | | | TMS320F28033 | 0x00B7 | |
| | | | | TMS320F28032 | 0x00B3 | |
| | | | | TMS320F28031 | 0x00AF | |
| | | | | TMS320F28030 | 0x00AB | |
| REVID | 0x0883 | 1 | Revision ID Register | 0x0000 - Silicon Rev. 0 - TMS | | No |
| | | | | 0x0001 - Silicon Rev. A - TMS | | |

(1) For TMS320F2803x devices, the PARTID register location differs from the TMS320F2802x devices' location of 0x3D7FFF.

7.5 VREG/BOR/POR

Although the core and I/O circuitry operate on two different voltages, these devices have an on-chip voltage regulator (VREG) to generate the V_{DD} voltage from the V_{DDIO} supply. This eliminates the cost and space of a second external regulator on an application board. Additionally, internal power-on reset (POR) and brown-out reset (BOR) circuits monitor both the V_{DD} and V_{DDIO} rails during power-up and run mode.

7.5.1 On-chip Voltage Regulator (VREG)

A linear regulator generates the core voltage (V_{DD}) from the V_{DDIO} supply. Therefore, although capacitors are required on each V_{DD} pin to stabilize the generated voltage, power need not be supplied to these pins to operate the device. Conversely, the VREG can be disabled, should power or redundancy be the primary concern of the application.

7.5.1.1 Using the On-chip VREG

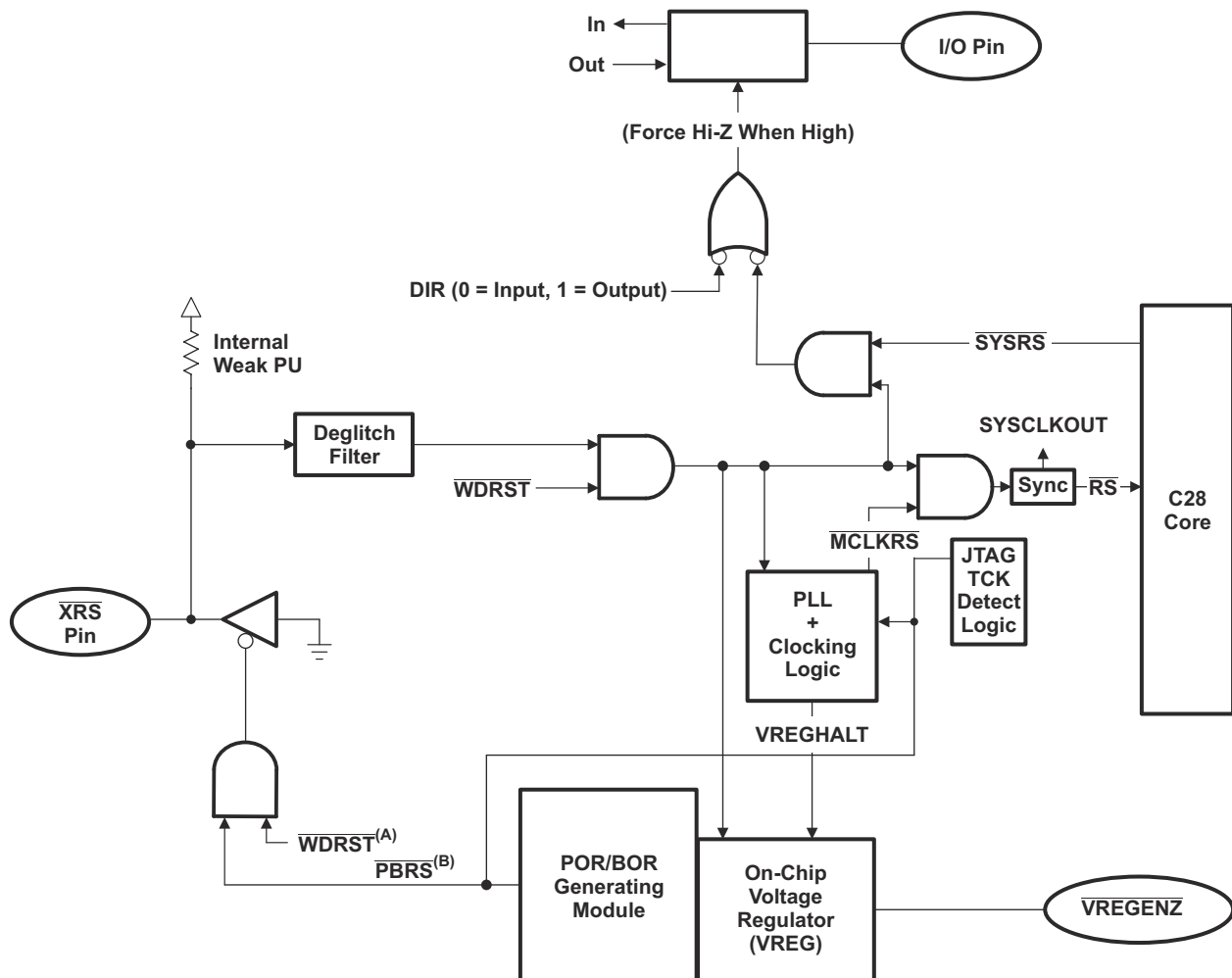
To use the on-chip VREG, the $\overline{\text{VREGENZ}}$ pin should be tied low and the appropriate recommended operating voltage should be supplied to the V_{DDIO} and V_{DDA} pins. In this case, the V_{DD} voltage needed by the core logic will be generated by the VREG. Each V_{DD} pin requires on the order of 1.2 μF (minimum) capacitance for proper regulation of the VREG. These capacitors should be located as close as possible to the V_{DD} pins. Driving an external load with the internal VREG is not supported.

7.5.1.2 Disabling the On-chip VREG

To conserve power, it is also possible to disable the on-chip VREG and supply the core logic voltage to the V_{DD} pins with a more efficient external regulator. To enable this option, the $\overline{\text{VREGENZ}}$ pin must be tied high.

7.5.2 On-chip Power-On Reset (POR) and Brown-Out Reset (BOR) Circuit

Two on-chip supervisory circuits, the power-on reset (POR) and the brown-out reset (BOR) remove the burden of monitoring the V_{DD} and V_{DDIO} supply rails from the application board. The purpose of the POR is to create a clean reset throughout the device during the entire power-up procedure. The trip point is a looser, lower trip point than the BOR, which watches for dips in the V_{DD} or V_{DDIO} rail during device operation. The POR function is present on both V_{DD} and V_{DDIO} rails at all times. After initial device power-up, the BOR function is present on V_{DDIO} at all times, and on V_{DD} when the internal VREG is enabled ($\overline{VREGENZ}$ pin is tied low). Both functions tie the \overline{XRS} pin low when one of the voltages is below their respective trip point. V_{DD} BOR and overvoltage trip points are outside of the recommended operating voltages. Proper device operation cannot be ensured. If overvoltage or undervoltage conditions affecting the system is a concern for an application, an external voltage supervisor should be added. Figure 7-5 shows the VREG, POR, and BOR. To disable both the V_{DD} and V_{DDIO} BOR functions, a bit is provided in the BORCFG register. For details, see the System Control chapter in the *TMS320F2803x Real-Time Microcontrollers Technical Reference Manual*.



- A. \overline{WDRST} is the reset signal from the CPU watchdog.
- B. \overline{PBRST} is the reset signal from the POR/BOR module.

Figure 7-5. VREG + POR + BOR + Reset Signal Connectivity

7.6 System Control

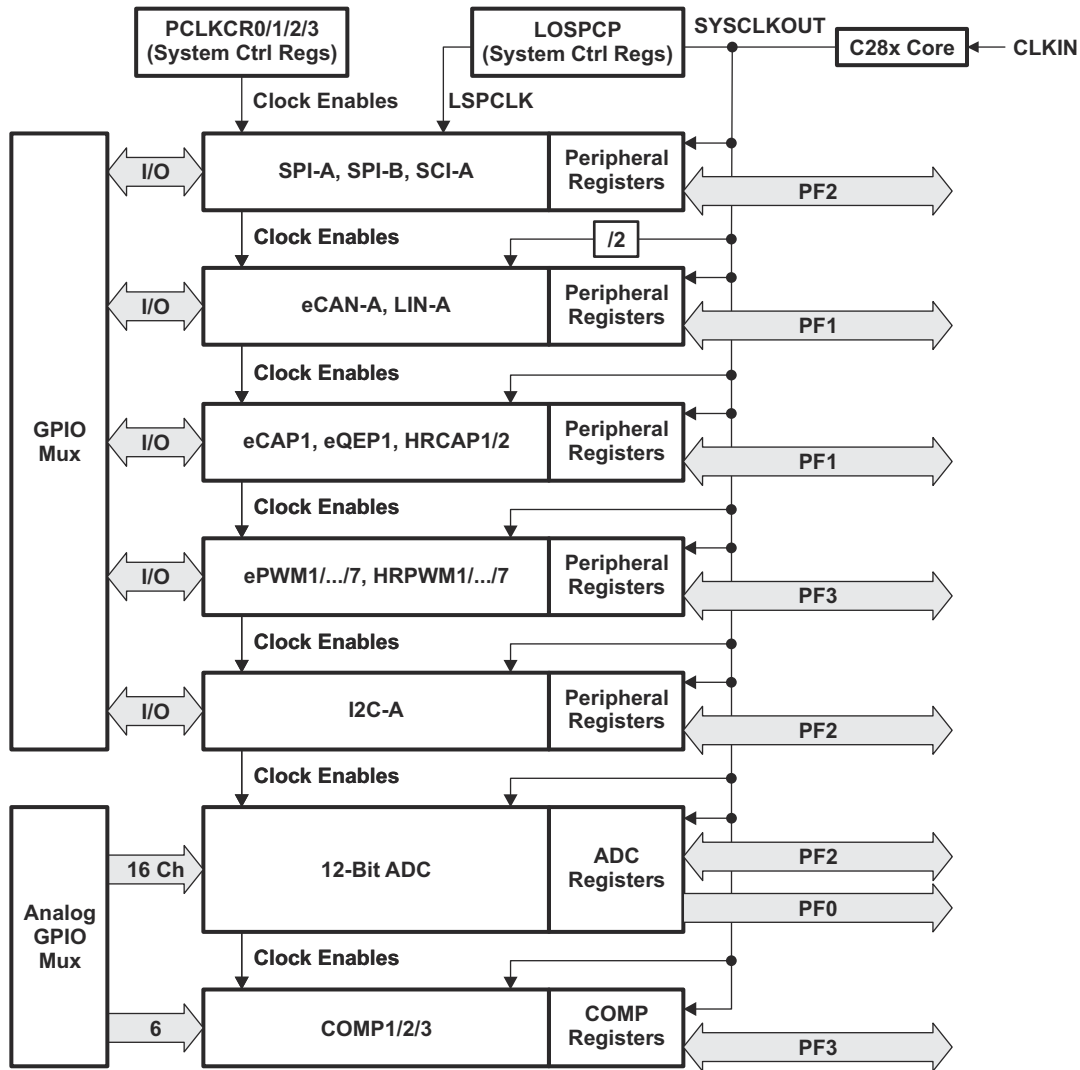
This section describes the oscillator and clocking mechanisms, the watchdog function and the low-power modes.

Table 7-13. PLL, Clocking, Watchdog, and Low-Power Mode Registers

| NAME | ADDRESS | SIZE (x16) | DESCRIPTION ⁽¹⁾ |
|-------------|-----------|------------|---|
| BORCFG | 0x00 0985 | 1 | BOR Configuration Register |
| XCLK | 0x00 7010 | 1 | XCLKOUT Control |
| PLLSTS | 0x00 7011 | 1 | PLL Status Register |
| CLKCTL | 0x00 7012 | 1 | Clock Control Register |
| PLLLOCKPRD | 0x00 7013 | 1 | PLL Lock Period |
| INTOSC1TRIM | 0x00 7014 | 1 | Internal Oscillator 1 Trim Register |
| INTOSC2TRIM | 0x00 7016 | 1 | Internal Oscillator 2 Trim Register |
| PCLKCR2 | 0x00 7019 | 1 | Peripheral Clock Control Register 2 |
| LOSPCP | 0x00 701B | 1 | Low-Speed Peripheral Clock Prescaler Register |
| PCLKCR0 | 0x00 701C | 1 | Peripheral Clock Control Register 0 |
| PCLKCR1 | 0x00 701D | 1 | Peripheral Clock Control Register 1 |
| LPMCR0 | 0x00 701E | 1 | Low-Power Mode Control Register 0 |
| PCLKCR3 | 0x00 7020 | 1 | Peripheral Clock Control Register 3 |
| PLLCR | 0x00 7021 | 1 | PLL Control Register |
| SCSR | 0x00 7022 | 1 | System Control and Status Register |
| WDCNTR | 0x00 7023 | 1 | Watchdog Counter Register |
| WDKEY | 0x00 7025 | 1 | Watchdog Reset Key Register |
| WDCR | 0x00 7029 | 1 | Watchdog Control Register |

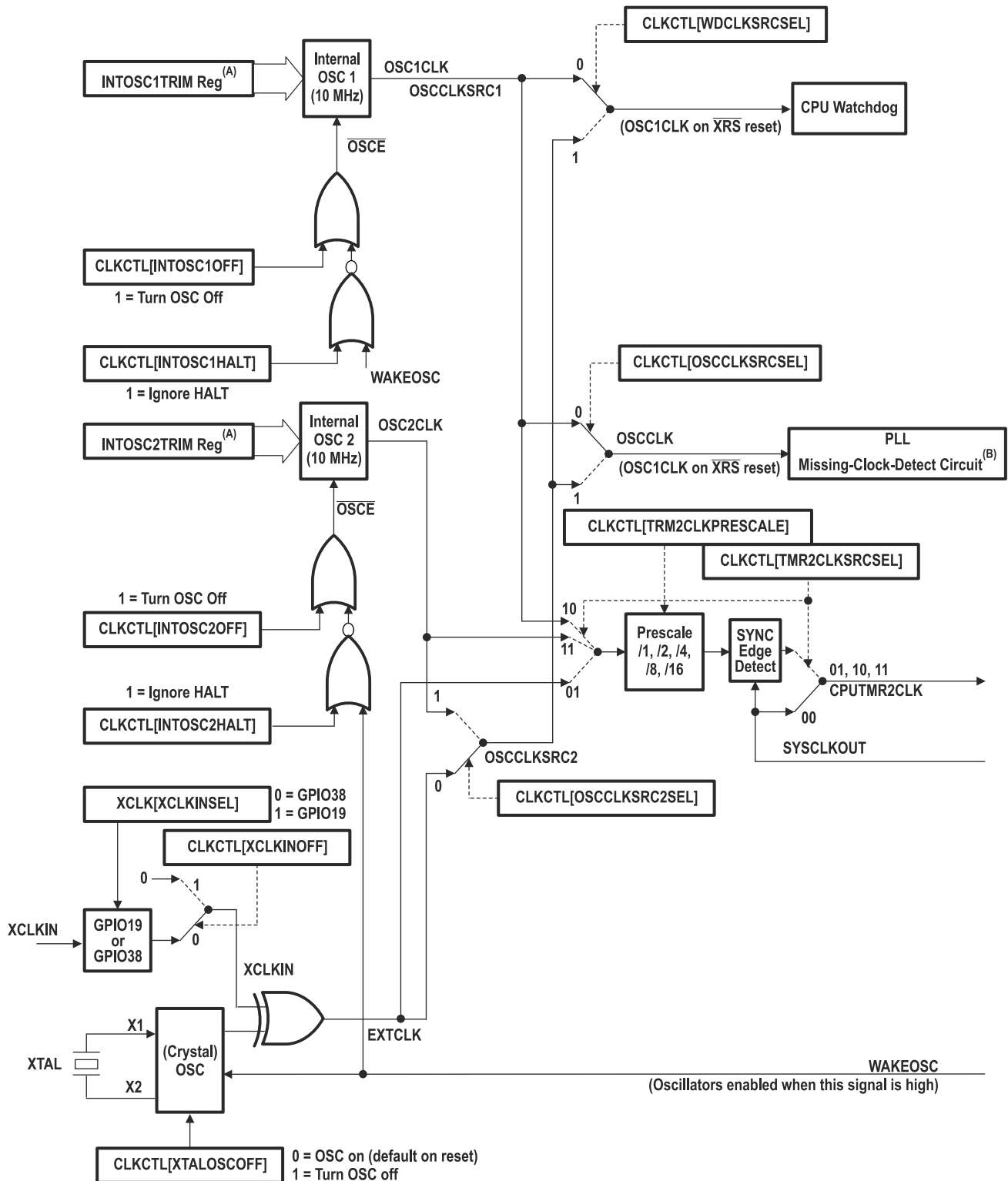
(1) All registers in this table are EALLOW protected.

Figure 7-6 shows the various clock domains that are discussed. Figure 7-7 shows the various clock sources (both internal and external) that can provide a clock for device operation.



A. CLKIN is the clock into the CPU. It is passed out of the CPU as SYSCLKOUT (that is, CLKIN is the same frequency as SYSCLKOUT).

Figure 7-6. Clock and Reset Domains



- A. Register loaded from TI OTP-based calibration function.
- B. See Section 7.6.4 for details on missing clock detection.

Figure 7-7. Clock Tree

7.6.1 Internal Zero Pin Oscillators

The F2803x devices contain two independent internal zero pin oscillators. By default both oscillators are turned on at power up, and internal oscillator 1 is the default clock source at this time. For power savings, unused oscillators may be powered down by the user. The center frequency of these oscillators is determined by their respective oscillator trim registers, written to in the calibration routine as part of the boot ROM execution. See [Section 6](#), Electrical Specifications, for more information on these oscillators.

7.6.2 Crystal Oscillator Option

The on-chip crystal oscillator X1 and X2 pins are 1.8-V level signals and must never have 3.3-V level signals applied to them. If a system 3.3-V external oscillator is to be used as a clock source, it should be connected to the XCLKIN pin only. The X1 pin is not intended to be used as a single-ended clock input, it should be used with X2 and a crystal.

The typical specifications for the external quartz crystal (fundamental mode, parallel resonant) are listed in [Table 7-14](#). Furthermore, ESR range = 30 to 150 Ω . For [Table 7-14](#), C_{shunt} should be less than or equal to 5 pF.

Table 7-14. Typical Specifications for External Quartz Crystal

| FREQUENCY (MHz) | R_d (Ω) | C_{L1} (pF) | C_{L2} (pF) |
|-----------------|--------------------|---------------|---------------|
| 5 | 2200 | 18 | 18 |
| 10 | 470 | 15 | 15 |
| 15 | 0 | 15 | 15 |
| 20 | 0 | 12 | 12 |

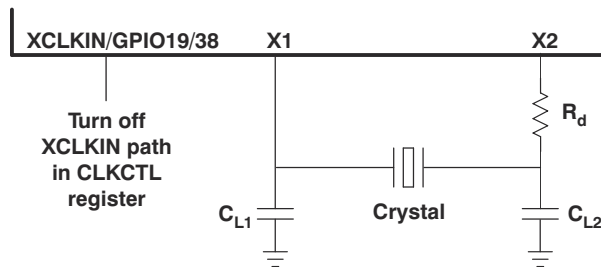


Figure 7-8. Using the On-chip Crystal Oscillator

Note

1. C_{L1} and C_{L2} are the total capacitance of the circuit board and components excluding the IC and crystal. The value is usually approximately twice the value of the crystal's load capacitance.
2. The load capacitance of the crystal is described in the crystal specifications of the manufacturers.
3. TI recommends that customers have the resonator/crystal vendor characterize the operation of their device with the MCU chip. The resonator/crystal vendor has the equipment and expertise to tune the tank circuit. The vendor can also advise the customer regarding the proper tank component values that will produce proper start-up and stability over the entire operating range.

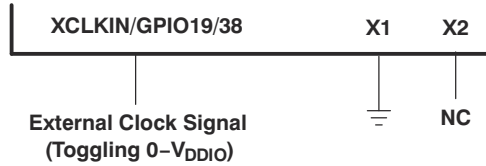


Figure 7-9. Using a 3.3-V External Oscillator

7.6.3 PLL-Based Clock Module

The devices have an on-chip, PLL-based clock module. This module provides all the necessary clocking signals for the device, as well as control for low-power mode entry. The PLL has a 4-bit ratio control PLLCR[DIV] to select different CPU clock rates. The watchdog module should be disabled before writing to the PLLCR register. It can be re-enabled (if need be) after the PLL module has stabilized, which takes 1 ms. The input clock and PLLCR[DIV] bits should be chosen in such a way that the output frequency of the PLL (VCOCLK) is at least 50 MHz.

Table 7-15. PLL Settings

| PLLCR[DIV] VALUE ⁽²⁾ ⁽³⁾ | SYSCLKOUT (CLKIN) | | |
|--|--|--------------------|--------------------|
| | PLLSTS[DIVSEL] = 0 or 1 ⁽¹⁾ | PLLSTS[DIVSEL] = 2 | PLLSTS[DIVSEL] = 3 |
| 0000 (PLL bypass) | OSCCLK/4 (Default) ⁽²⁾ | OSCCLK/2 | OSCCLK |
| 0001 | (OSCCLK * 1)/4 | (OSCCLK * 1)/2 | (OSCCLK * 1)/1 |
| 0010 | (OSCCLK * 2)/4 | (OSCCLK * 2)/2 | (OSCCLK * 2)/1 |
| 0011 | (OSCCLK * 3)/4 | (OSCCLK * 3)/2 | (OSCCLK * 3)/1 |
| 0100 | (OSCCLK * 4)/4 | (OSCCLK * 4)/2 | (OSCCLK * 4)/1 |
| 0101 | (OSCCLK * 5)/4 | (OSCCLK * 5)/2 | (OSCCLK * 5)/1 |
| 0110 | (OSCCLK * 6)/4 | (OSCCLK * 6)/2 | (OSCCLK * 6)/1 |
| 0111 | (OSCCLK * 7)/4 | (OSCCLK * 7)/2 | (OSCCLK * 7)/1 |
| 1000 | (OSCCLK * 8)/4 | (OSCCLK * 8)/2 | (OSCCLK * 8)/1 |
| 1001 | (OSCCLK * 9)/4 | (OSCCLK * 9)/2 | (OSCCLK * 9)/1 |
| 1010 | (OSCCLK * 10)/4 | (OSCCLK * 10)/2 | (OSCCLK * 10)/1 |
| 1011 | (OSCCLK * 11)/4 | (OSCCLK * 11)/2 | (OSCCLK * 11)/1 |
| 1100 | (OSCCLK * 12)/4 | (OSCCLK * 12)/2 | (OSCCLK * 12)/1 |

- (1) By default, PLLSTS[DIVSEL] is configured for /4. (The boot ROM changes this to /1.) PLLSTS[DIVSEL] must be 0 before writing to the PLLCR and should be changed only after PLLSTS[PLLLOCKS] = 1.
- (2) The PLL control register (PLLCR) and PLL Status Register (PLLSTS) are reset to their default state by the $\overline{\text{XRS}}$ signal or a watchdog reset only. A reset issued by the debugger or the missing clock detect logic has no effect.
- (3) This register is EALLOW protected. See the System Control chapter in the [TMS320F2803x Real-Time Microcontrollers Technical Reference Manual](#) for more information.

Table 7-16. CLKIN Divide Options

| PLLSTS [DIVSEL] | CLKIN DIVIDE |
|-----------------|--------------|
| 0 | /4 |
| 1 | /4 |
| 2 | /2 |
| 3 | /1 |

The PLL-based clock module provides four modes of operation:

- **INTOSC1 (Internal Zero-pin Oscillator 1):** This is the on-chip internal oscillator 1. This can provide the clock for the Watchdog block, core and CPU-Timer 2
- **INTOSC2 (Internal Zero-pin Oscillator 2):** This is the on-chip internal oscillator 2. This can provide the clock for the Watchdog block, core and CPU-Timer 2. Both INTOSC1 and INTOSC2 can be independently chosen for the Watchdog block, core and CPU-Timer 2.
- **Crystal/Resonator Operation:** The on-chip (crystal) oscillator enables the use of an external crystal/resonator attached to the device to provide the time base. The crystal/resonator is connected to the X1/X2 pins. Some devices may not have the X1/X2 pins. See [Table 5-1](#) for details.
- **External Clock Source Operation:** If the on-chip (crystal) oscillator is not used, this mode allows it to be bypassed. The device clocks are generated from an external clock source input on the XCLKIN pin. The XCLKIN is multiplexed with GPIO19 or GPIO38 pin. The XCLKIN input can be selected as GPIO19 or GPIO38 through the XCLKINSEL bit in XCLK register. The CLKCTL[XCLKINOFF] bit disables this clock input (forced low). If the clock source is not used or the respective pins are used as GPIOs, the user should disable at boot time.

Before changing clock sources, ensure that the target clock is present. If a clock is not present, then that clock source must be disabled (using the CLKCTL register) before switching clocks.

Table 7-17. Possible PLL Configuration Modes

| PLL MODE | REMARKS | PLLSTS[DIVSEL] | CLKIN AND SYSCLKOUT |
|------------|---|----------------|--|
| PLL Off | Invoked by the user setting the PLOFF bit in the PLLSTS register. The PLL block is disabled in this mode. This can be useful to reduce system noise and for low-power operation. The PLLCR register must first be set to 0x0000 (PLL Bypass) before entering this mode. The CPU clock (CLKIN) is derived directly from the input clock on either X1/X2, X1 or XCLKIN. | 0, 1 2 3 | OSCCLK/4 OSCCLK/2 OSCCLK/1 |
| PLL Bypass | PLL Bypass is the default PLL configuration upon power-up or after an external reset (XRS). This mode is selected when the PLLCR register is set to 0x0000 or while the PLL locks to a new frequency after the PLLCR register has been modified. In this mode, the PLL is bypassed but the PLL is not turned off. | 0, 1 2 3 | OSCCLK/4 OSCCLK/2 OSCCLK/1 |
| PLL Enable | Achieved by writing a nonzero value n into the PLLCR register. Upon writing to the PLLCR the device will switch to PLL Bypass mode until the PLL locks. | 0, 1 2 3 | OSCCLK * n/4 OSCCLK * n/2 OSCCLK * n/1 |

7.6.4 Loss of Input Clock (NMI Watchdog Function)

The 2803x devices may be clocked from either one of the internal zero-pin oscillators (INTOSC1/INTOSC2), the on-chip crystal oscillator, or from an external clock input. Regardless of the clock source, in PLL-enabled and PLL-bypass mode, if the input clock to the PLL vanishes, the PLL will issue a limp-mode clock at its output. This limp-mode clock continues to clock the CPU and peripherals at a typical frequency of 1–5 MHz.

When the limp mode is activated, a $\overline{\text{CLOCKFAIL}}$ signal is generated that is latched as an NMI interrupt. Depending on how the NMIRESETSEL bit has been configured, a reset to the device can be fired immediately or the NMI watchdog counter can issue a reset when it overflows. In addition to this, the Missing Clock Status (MCLKSTS) bit is set. The NMI interrupt could be used by the application to detect the input clock failure and initiate necessary corrective action such as switching over to an alternative clock source (if available) or initiate a shut-down procedure for the system.

If the software does not respond to the clock-fail condition, the NMI watchdog triggers a reset after a preprogrammed time interval. [Figure 7-10](#) shows the interrupt mechanisms involved.

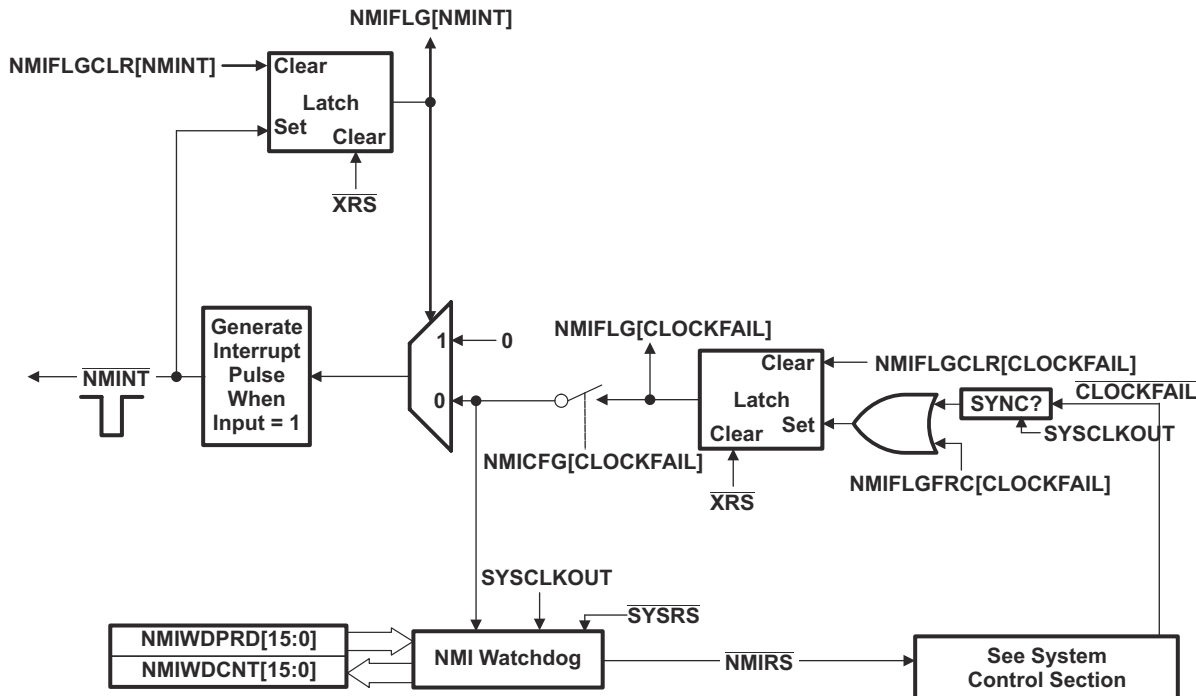


Figure 7-10. NMI Watchdog

7.6.5 CPU Watchdog Module

The CPU watchdog module on the 2803x device is similar to the one used on the 281x/280x/283xx devices. This module generates an output pulse, 512 oscillator clocks wide (OSCCLK), whenever the 8-bit watchdog up counter has reached its maximum value. To prevent this, the user must disable the counter or the software must periodically write a 0x55 + 0xAA sequence into the watchdog key register that resets the watchdog counter. [Figure 7-11](#) shows the various functional blocks within the watchdog module.

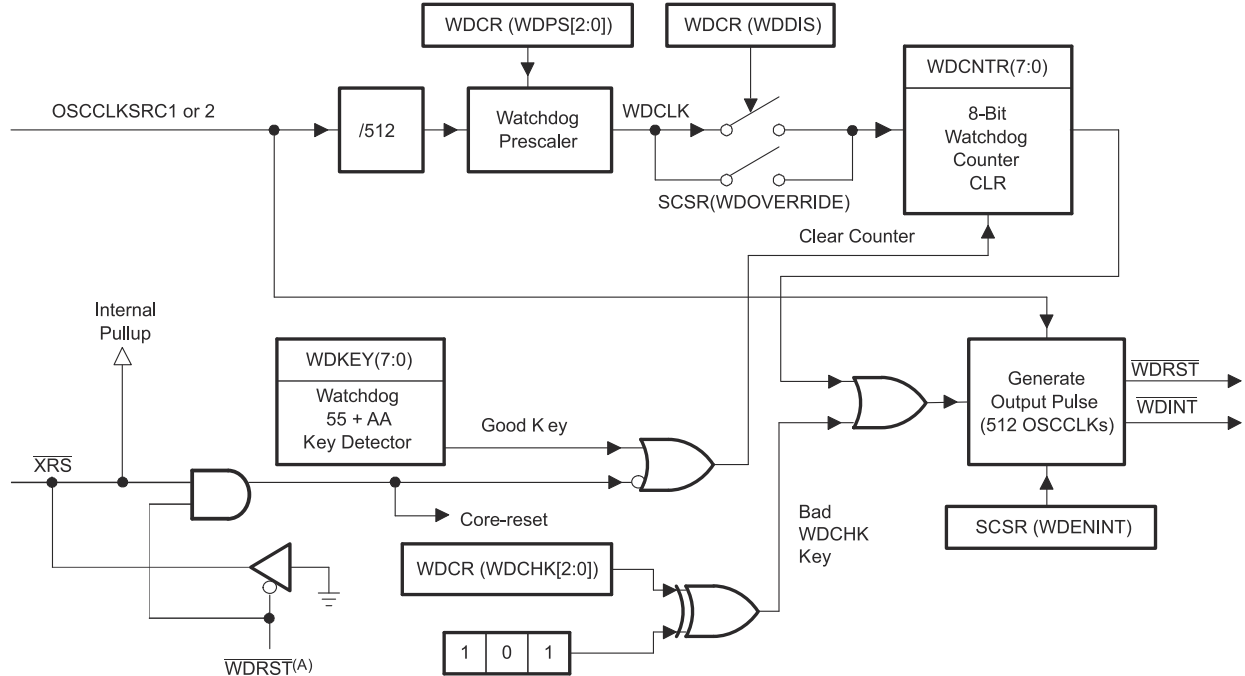
Normally, when the input clocks are present, the CPU watchdog counter decrements to initiate a CPU watchdog reset or WDINT interrupt. However, when the external input clock fails, the CPU watchdog counter stops decrementing (that is, the watchdog counter does not change with the limp-mode clock).

Note

The CPU watchdog is different from the NMI watchdog. It is the legacy watchdog that is present in all 28x devices.

Note

Applications in which the correct CPU operating frequency is absolutely critical should implement a mechanism by which the MCU will be held in reset, should the input clocks ever fail. For example, an R-C circuit may be used to trigger the \overline{XRS} pin of the MCU, should the capacitor ever get fully charged. An I/O pin may be used to discharge the capacitor on a periodic basis to prevent it from getting fully charged. Such a circuit would also help in detecting failure of the flash memory.



A. The \overline{WDRST} signal is driven low for 512 OSCCLK cycles.

Figure 7-11. CPU Watchdog Module

The \overline{WDINT} signal enables the watchdog to be used as a wakeup from IDLE/STANDBY mode.

In STANDBY mode, all peripherals are turned off on the device. The only peripheral that remains functional is the CPU watchdog. This module will run off OSCCLK. The \overline{WDINT} signal is fed to the LPM block so that it can wake the device from STANDBY (if enabled). See [Section 7.7](#), Low-power Modes Block, for more details.

In IDLE mode, the \overline{WDINT} signal can generate an interrupt to the CPU, through the PIE, to take the CPU out of IDLE mode.

In HALT mode, the CPU watchdog can be used to wake up the device through a device reset.

7.7 Low-power Modes Block

Table 7-18 summarizes the various modes.

Table 7-18. Low-power Modes

| MODE | LPMCR0(1:0) | OSCCLK | CLKIN | SYSCLKOUT | EXIT ⁽¹⁾ |
|---------------------|-------------|--|-------|-----------|--|
| IDLE | 00 | On | On | On | \overline{XRS} , CPU watchdog interrupt, any enabled interrupt |
| STANDBY | 01 | On (CPU watchdog still running) | Off | Off | \overline{XRS} , CPU watchdog interrupt, GPIO Port A signal, debugger ⁽²⁾ |
| HALT ⁽³⁾ | 1X | Off (on-chip crystal oscillator and PLL turned off, zero-pin oscillator and CPU watchdog state dependent on user code.) | Off | Off | \overline{XRS} , GPIO Port A signal, debugger ⁽²⁾ , CPU watchdog |

(1) The EXIT column lists which signals or under what conditions the low-power mode is exited. A low signal, on any of the signals, exits the low-power condition. This signal must be kept low long enough for an interrupt to be recognized by the device. Otherwise, the low-power mode will not be exited and the device will go back into the indicated low-power mode.

(2) The JTAG port can still function even if the CPU clock (CLKIN) is turned off.

(3) The WDCLK must be active for the device to go into HALT mode.

The various low-power modes operate as follows:

- IDLE Mode:** This mode is exited by any enabled interrupt that is recognized by the processor. The LPM block performs no tasks during this mode as long as the LPMCR0(LPM) bits are set to 0,0.
- STANDBY Mode:** Any GPIO port A signal (GPIO[31:0]) can wake the device from STANDBY mode. The user must select which signal(s) will wake the device in the GPIOLPMSEL register. The selected signal(s) are also qualified by the OSCCLK before waking the device. The number of OSCCLKs is specified in the LPMCR0 register.
- HALT Mode:** CPU watchdog, \overline{XRS} , and any GPIO port A signal (GPIO[31:0]) can wake the device from HALT mode. The user selects the signal in the GPIOLPMSEL register.

Note

The low-power modes do not affect the state of the output pins (PWM pins included). They will be in whatever state the code left them in when the IDLE instruction was executed. See the System Control chapter in the [TMS320F2803x Real-Time Microcontrollers Technical Reference Manual](#) for more details.

7.8 Interrupts

Figure 7-12 shows how the various interrupt sources are multiplexed.

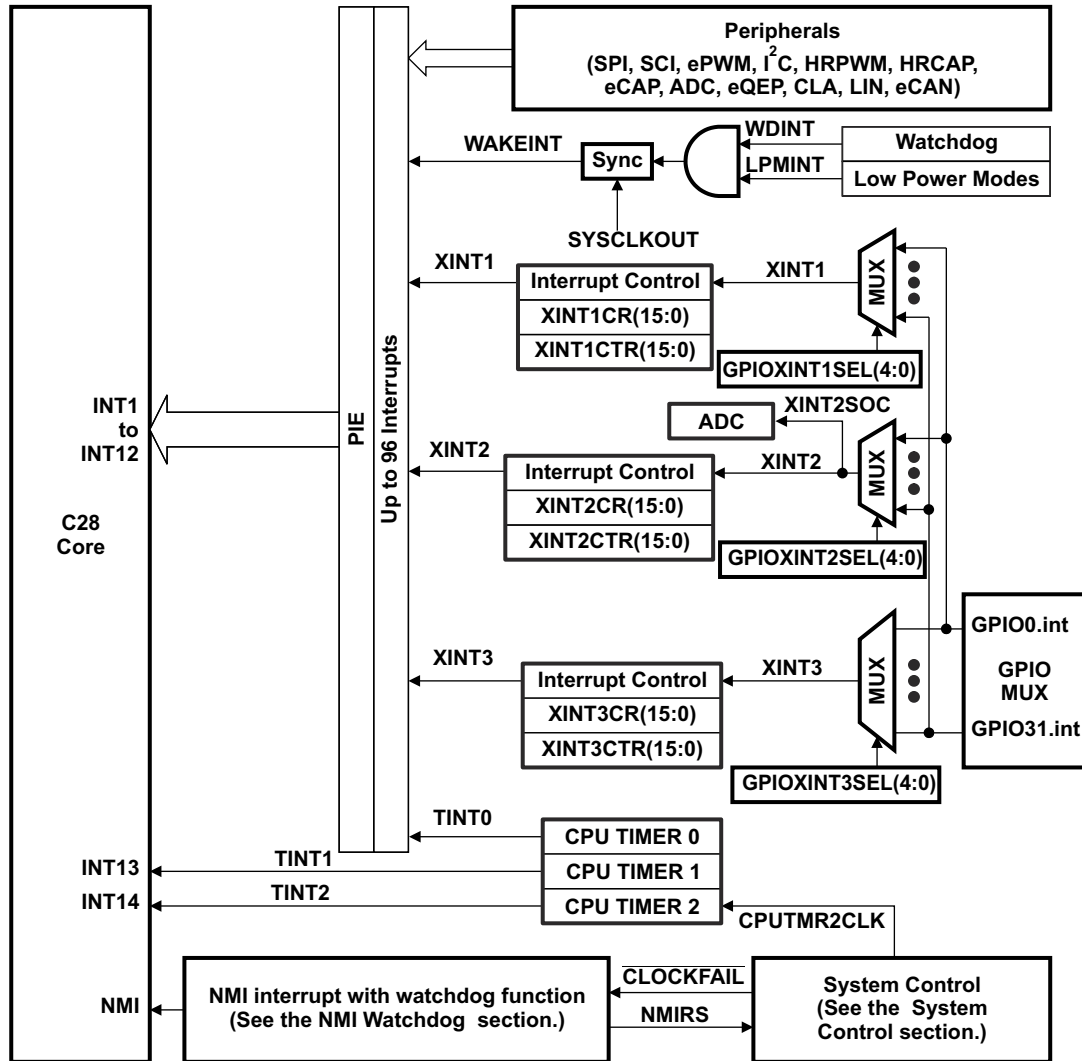


Figure 7-12. External and PIE Interrupt Sources

Eight PIE block interrupts are grouped into one CPU interrupt. In total, 12 CPU interrupt groups, with 8 interrupts per group equals 96 possible interrupts. Table 7-19 shows the interrupts used by 2803x devices.

The TRAP #VectorNumber instruction transfers program control to the interrupt service routine corresponding to the vector specified. The TRAP #0 instruction attempts to transfer program control to the address pointed to by the reset vector. The PIE vector table does not, however, include a reset vector. Therefore, the TRAP #0 instruction should not be used when the PIE is enabled. Doing so will result in undefined behavior.

When the PIE is enabled, the TRAP #1 to TRAP #12 instructions will transfer program control to the interrupt service routine corresponding to the first vector within the PIE group. For example: the TRAP #1 instruction fetches the vector from INT1.1, the TRAP #2 instruction fetches the vector from INT2.1, and so forth.

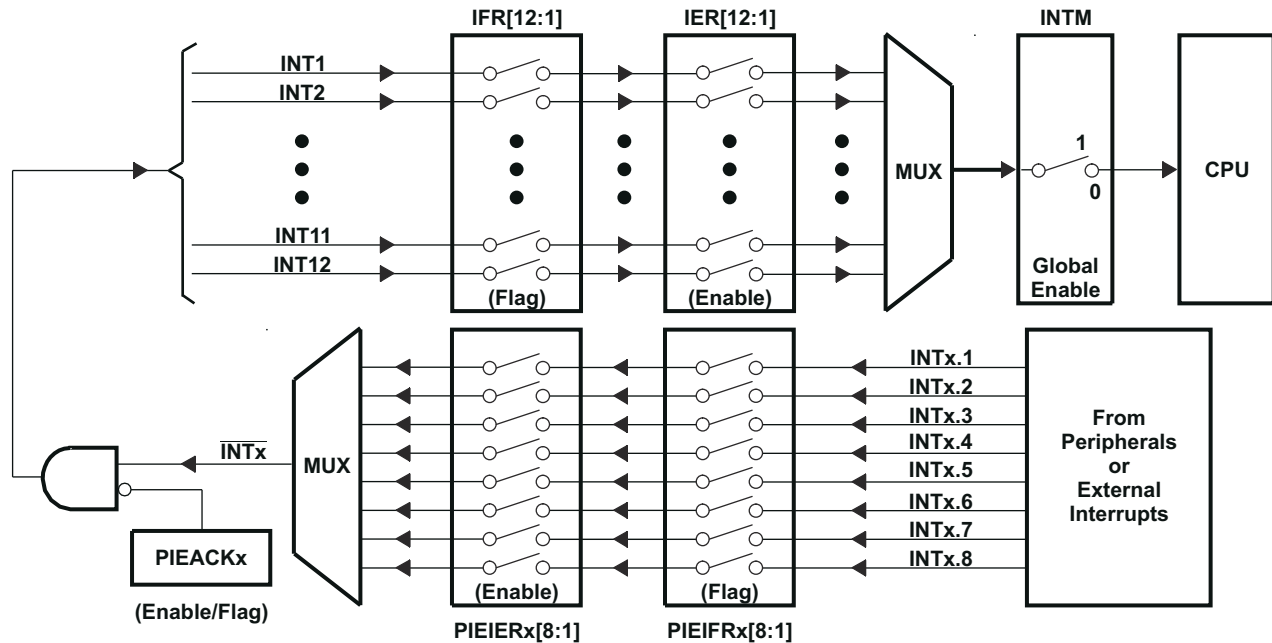


Figure 7-13. Multiplexing of Interrupts Using the PIE Block

In Table 7-19, out of 96 possible interrupts, some interrupts are not used. These interrupts are reserved for future devices. These interrupts can be used as software interrupts if they are enabled at the PIEIFRx level, provided none of the interrupts within the group is being used by a peripheral. Otherwise, interrupts coming in from peripherals may be lost by accidentally clearing their flag while modifying the PIEIFR. To summarize, there are two safe cases when the reserved interrupts could be used as software interrupts:

1. No peripheral within the group is asserting interrupts.
2. No peripheral interrupts are assigned to the group (for example, PIE group 7).

Table 7-19. PIE MUXed Peripheral Interrupt Vector Table

| | INTx.8 | INTx.7 | INTx.6 | INTx.5 | INTx.4 | INTx.3 | INTx.2 | INTx.1 |
|---------|---------------------------------|---------------------------------|---------------------------------|---------------------------------|---------------------------------|---------------------------------|---------------------------------|---------------------------------|
| INT1.y | WAKEINT (LPM/WVD) 0xD4E | TINT0 (TIMER 0) 0xD4C | ADCINT9 (ADC) 0xD4A | XINT2 Ext. int. 2 0xD48 | XINT1 Ext. int. 1 0xD46 | Reserved – 0xD44 | ADCINT2 (ADC) 0xD42 | ADCINT1 (ADC) 0xD40 |
| INT2.y | Reserved – 0xD5E | EPWM7_TZINT (ePWM7) 0xD5C | EPWM6_TZINT (ePWM6) 0xD5A | EPWM5_TZINT (ePWM5) 0xD58 | EPWM4_TZINT (ePWM4) 0xD56 | EPWM3_TZINT (ePWM3) 0xD54 | EPWM2_TZINT (ePWM2) 0xD52 | EPWM1_TZINT (ePWM1) 0xD50 |
| INT3.y | Reserved – 0xD6E | EPWM7_INT (ePWM7) 0xD6C | EPWM6_INT (ePWM6) 0xD6A | EPWM5_INT (ePWM5) 0xD68 | EPWM4_INT (ePWM4) 0xD66 | EPWM3_INT (ePWM3) 0xD64 | EPWM2_INT (ePWM2) 0xD62 | EPWM1_INT (ePWM1) 0xD60 |
| INT4.y | HRCAP2_INT (HRCAP2) 0xD7E | HRCAP1_INT (HRCAP1) 0xD7C | Reserved – 0xD7A | Reserved – 0xD78 | Reserved – 0xD76 | Reserved – 0xD74 | Reserved – 0xD72 | ECAP1_INT (eCAP1) 0xD70 |
| INT5.y | Reserved – 0xD8E | Reserved – 0xD8C | Reserved – 0xD8A | Reserved – 0xD88 | Reserved – 0xD86 | Reserved – 0xD84 | Reserved – 0xD82 | EQEP1_INT (eQEP1) 0xD80 |
| INT6.y | Reserved – 0xD9E | Reserved – 0xD9C | Reserved – 0xD9A | Reserved – 0xD98 | SPITXINTB (SPI-B) 0xD96 | SPIRXINTB (SPI-B) 0xD94 | SPITXINTA (SPI-A) 0xD92 | SPIRXINTA (SPI-A) 0xD90 |
| INT7.y | Reserved – 0xDAE | Reserved – 0xDAC | Reserved – 0xDAA | Reserved – 0xDA8 | Reserved – 0xDA6 | Reserved – 0xDA4 | Reserved – 0xDA2 | Reserved – 0xDA0 |
| INT8.y | Reserved – 0xDBE | Reserved – 0xDBC | Reserved – 0xDBA | Reserved – 0xDB8 | Reserved – 0xDB6 | Reserved – 0xDB4 | I2CINT2A (I2C-A) 0xDB2 | I2CINT1A (I2C-A) 0xDB0 |
| INT9.y | Reserved – 0xDCE | Reserved – 0xDCC | ECAN1_INTA (CAN-A) 0xDCA | ECAN0_INTA (CAN-A) 0xDC8 | LIN1_INTA (LIN-A) 0xDC6 | LIN0_INTA (LIN-A) 0xDC4 | SCITXINTA (SCI-A) 0xDC2 | SCIRXINTA (SCI-A) 0xDC0 |
| INT10.y | ADCINT8 (ADC) 0xDDE | ADCINT7 (ADC) 0xDDC | ADCINT6 (ADC) 0xDDA | ADCINT5 (ADC) 0xDD8 | ADCINT4 (ADC) 0xDD6 | ADCINT3 (ADC) 0xDD4 | ADCINT2 (ADC) 0xDD2 | ADCINT1 (ADC) 0xDD0 |
| INT11.y | CLA1_INT8 (CLA) 0xDEE | CLA1_INT7 (CLA) 0xDEC | CLA1_INT6 (CLA) 0xDEA | CLA1_INT5 (CLA) 0xDE8 | CLA1_INT4 (CLA) 0xDE6 | CLA1_INT3 (CLA) 0xDE4 | CLA1_INT2 (CLA) 0xDE2 | CLA1_INT1 (CLA) 0xDE0 |
| INT12.y | LUF (CLA) 0xDFE | LVF (CLA) 0xDFC | Reserved – 0xDFA | Reserved – 0xDF8 | Reserved – 0xDF6 | Reserved – 0xDF4 | Reserved – 0xDF2 | XINT3 Ext. Int. 3 0xDF0 |

Table 7-20. PIE Configuration and Control Registers

| NAME | ADDRESS | SIZE (x16) | DESCRIPTION ⁽¹⁾ |
|----------|--------------------|------------|----------------------------------|
| PIECTRL | 0x0CE0 | 1 | PIE, Control Register |
| PIEACK | 0x0CE1 | 1 | PIE, Acknowledge Register |
| PIEIER1 | 0x0CE2 | 1 | PIE, INT1 Group Enable Register |
| PIEIFR1 | 0x0CE3 | 1 | PIE, INT1 Group Flag Register |
| PIEIER2 | 0x0CE4 | 1 | PIE, INT2 Group Enable Register |
| PIEIFR2 | 0x0CE5 | 1 | PIE, INT2 Group Flag Register |
| PIEIER3 | 0x0CE6 | 1 | PIE, INT3 Group Enable Register |
| PIEIFR3 | 0x0CE7 | 1 | PIE, INT3 Group Flag Register |
| PIEIER4 | 0x0CE8 | 1 | PIE, INT4 Group Enable Register |
| PIEIFR4 | 0x0CE9 | 1 | PIE, INT4 Group Flag Register |
| PIEIER5 | 0x0CEA | 1 | PIE, INT5 Group Enable Register |
| PIEIFR5 | 0x0CEB | 1 | PIE, INT5 Group Flag Register |
| PIEIER6 | 0x0CEC | 1 | PIE, INT6 Group Enable Register |
| PIEIFR6 | 0x0CED | 1 | PIE, INT6 Group Flag Register |
| PIEIER7 | 0x0CEE | 1 | PIE, INT7 Group Enable Register |
| PIEIFR7 | 0x0CEF | 1 | PIE, INT7 Group Flag Register |
| PIEIER8 | 0x0CF0 | 1 | PIE, INT8 Group Enable Register |
| PIEIFR8 | 0x0CF1 | 1 | PIE, INT8 Group Flag Register |
| PIEIER9 | 0x0CF2 | 1 | PIE, INT9 Group Enable Register |
| PIEIFR9 | 0x0CF3 | 1 | PIE, INT9 Group Flag Register |
| PIEIER10 | 0x0CF4 | 1 | PIE, INT10 Group Enable Register |
| PIEIFR10 | 0x0CF5 | 1 | PIE, INT10 Group Flag Register |
| PIEIER11 | 0x0CF6 | 1 | PIE, INT11 Group Enable Register |
| PIEIFR11 | 0x0CF7 | 1 | PIE, INT11 Group Flag Register |
| PIEIER12 | 0x0CF8 | 1 | PIE, INT12 Group Enable Register |
| PIEIFR12 | 0x0CF9 | 1 | PIE, INT12 Group Flag Register |
| Reserved | 0x0CFA – 0x0CFF | 6 | Reserved |

(1) The PIE configuration and control registers are not protected by EALLOW mode. The PIE vector table is protected.

7.8.1 External Interrupts

Table 7-21. External Interrupt Registers

| NAME | ADDRESS | SIZE (x16) | DESCRIPTION |
|----------|-----------|------------|------------------------------|
| XINT1CR | 0x00 7070 | 1 | XINT1 configuration register |
| XINT2CR | 0x00 7071 | 1 | XINT2 configuration register |
| XINT3CR | 0x00 7072 | 1 | XINT3 configuration register |
| XINT1CTR | 0x00 7078 | 1 | XINT1 counter register |
| XINT2CTR | 0x00 7079 | 1 | XINT2 counter register |
| XINT3CTR | 0x00 707A | 1 | XINT3 counter register |

Each external interrupt can be enabled/disabled or qualified using positive, negative, or both positive and negative edge. For more information, see the System Control chapter in the [TMS320F2803x Real-Time Microcontrollers Technical Reference Manual](#).

7.8.1.1 External Interrupt Electrical Data/Timing

7.8.1.1.1 External Interrupt Timing Requirements

| | | MIN | MAX | UNIT |
|--|----------------|-----------------------------|-----|--------|
| $t_{w(INT)}$ ^{(1) (2)} Pulse duration, INT input low/high | Synchronous | $1t_{c(SCO)}$ | | cycles |
| | With qualifier | $1t_{c(SCO)} + t_{w(IQSW)}$ | | cycles |

(1) For an explanation of the input qualifier parameters, see [Section 7.9.15.1.2.1](#).

(2) This timing is applicable to any GPIO pin configured for ADCSOC functionality.

7.8.1.1.2 External Interrupt Switching Characteristics

over recommended operating conditions (unless otherwise noted)

| PARAMETER | MIN | MAX | UNIT |
|--|-----|------------------------------|--------|
| $t_{d(INT)}$ ⁽¹⁾ Delay time, INT low/high to interrupt-vector fetch | | $t_{w(IQSW)} + 12t_{c(SCO)}$ | cycles |

(1) For an explanation of the input qualifier parameters, see [Section 7.9.15.1.2.1](#).

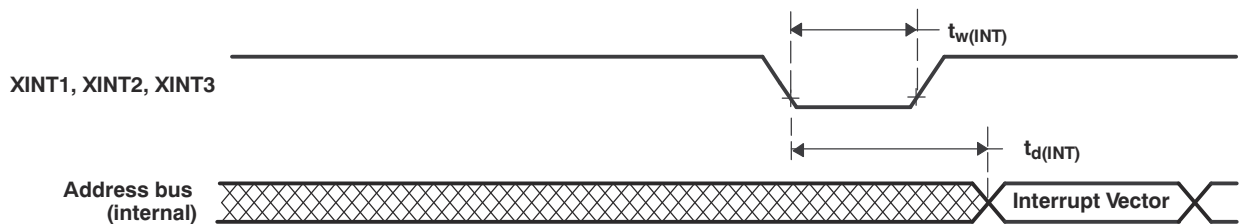


Figure 7-14. External Interrupt Timing

7.9 Peripherals

7.9.1 Control Law Accelerator (CLA) Overview

The control law accelerator extends the capabilities of the C28x CPU by adding parallel processing. Time-critical control loops serviced by the CLA can achieve low ADC sample to output delay. Thus, the CLA enables faster system response and higher frequency control loops. Utilizing the CLA for time-critical tasks frees up the main CPU to perform other system and communication functions concurrently. The following is a list of major features of the CLA.

- Clocked at the same rate as the main CPU (SYSCLKOUT).
- An independent architecture allowing CLA algorithm execution independent of the main C28x CPU.
 - Complete bus architecture:
 - Program address bus and program data bus
 - Data address bus, data read bus, and data write bus
 - Independent eight-stage pipeline.
 - 12-bit program counter (MPC)
 - Four 32-bit result registers (MR0–MR3)
 - Two 16-bit auxiliary registers (MAR0, MAR1)
 - Status register (MSTF)
- Instruction set includes:
 - IEEE single-precision (32-bit) floating-point math operations
 - Floating-point math with parallel load or store
 - Floating-point multiply with parallel add or subtract
 - 1/X and 1/sqrt(X) estimations
 - Data type conversions.
 - Conditional branch and call
 - Data load/store operations
- The CLA program code can consist of up to eight tasks or interrupt service routines.
 - The start address of each task is specified by the MVECT registers.
 - No limit on task size as long as the tasks fit within the CLA program memory space.
 - One task is serviced at a time through to completion. There is no nesting of tasks.
 - Upon task completion, a task-specific interrupt is flagged within the PIE.
 - When a task finishes, the next highest-priority pending task is automatically started.
- Task trigger mechanisms:
 - C28x CPU through the IACK instruction
 - Task1 to Task7: the corresponding ADC or ePWM module interrupt. For example:
 - Task1: ADCINT1 or EPWM1_INT
 - Task2: ADCINT2 or EPWM2_INT
 - Task7: ADCINT7 or EPWM7_INT
 - Task8: ADCINT8 or by CPU Timer 0.
- Memory and Shared Peripherals:
 - Two dedicated message RAMs for communication between the CLA and the main CPU.
 - The C28x CPU can map CLA program and data memory to the main CPU space or CLA space.
 - The CLA has direct access to the ADC Result registers, comparator registers, and the ePWM+HRPWM registers.

For more information on the CLA, see the Control Law Accelerator (CLA) chapter in the [TMS320F2803x Real-Time Microcontrollers Technical Reference Manual](#).

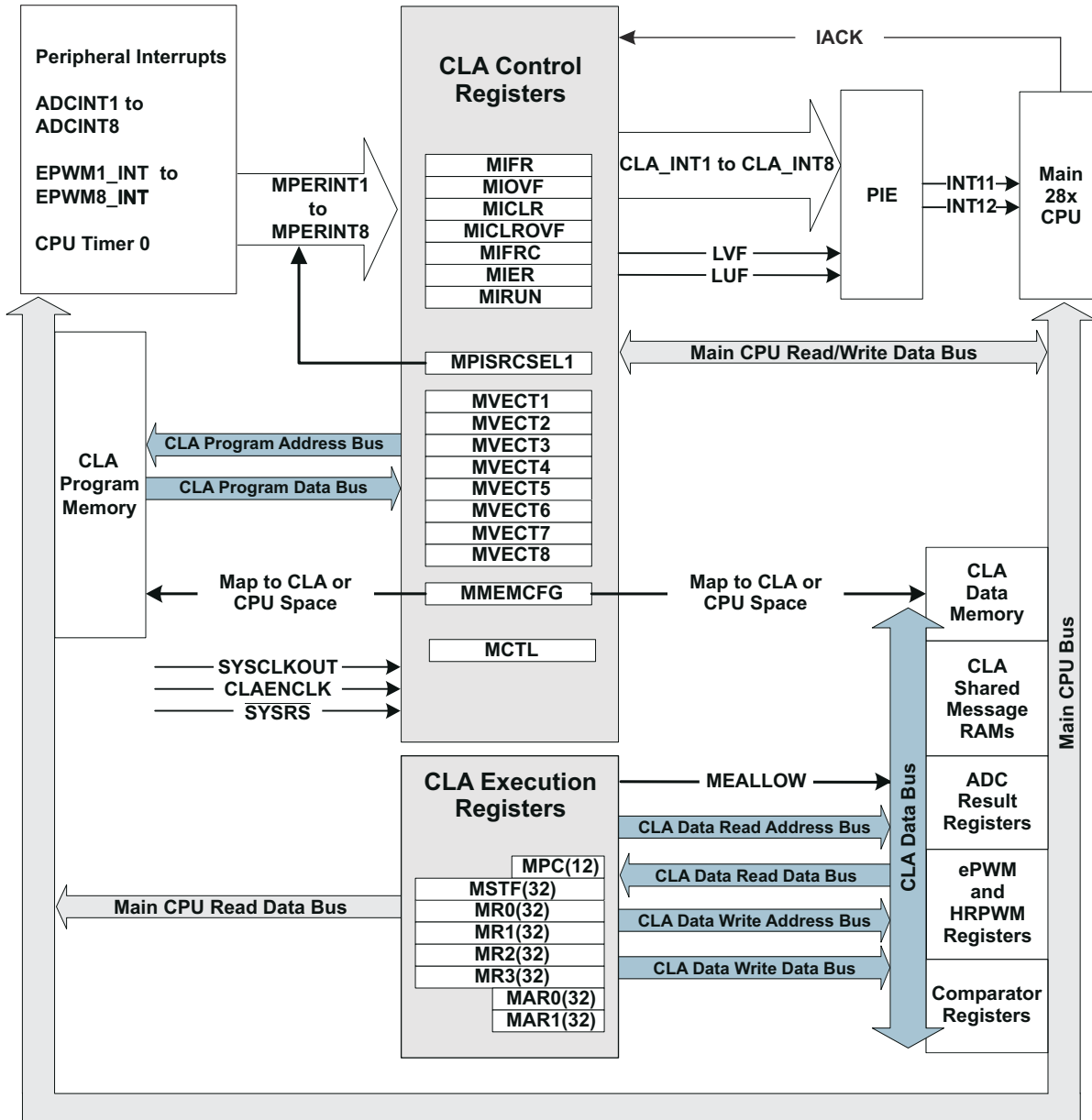


Figure 7-15. CLA Block Diagram

Table 7-22. CLA Control Registers

| REGISTER NAME | CLA1 ADDRESS | SIZE (x16) | EALLOW PROTECTED | DESCRIPTION ⁽¹⁾ |
|---------------------|--------------|------------|------------------|---|
| MVECT1 | 0x1400 | 1 | Yes | CLA Interrupt/Task 1 Start Address |
| MVECT2 | 0x1401 | 1 | Yes | CLA Interrupt/Task 2 Start Address |
| MVECT3 | 0x1402 | 1 | Yes | CLA Interrupt/Task 3 Start Address |
| MVECT4 | 0x1403 | 1 | Yes | CLA Interrupt/Task 4 Start Address |
| MVECT5 | 0x1404 | 1 | Yes | CLA Interrupt/Task 5 Start Address |
| MVECT6 | 0x1405 | 1 | Yes | CLA Interrupt/Task 6 Start Address |
| MVECT7 | 0x1406 | 1 | Yes | CLA Interrupt/Task 7 Start Address |
| MVECT8 | 0x1407 | 1 | Yes | CLA Interrupt/Task 8 Start Address |
| MCTL | 0x1410 | 1 | Yes | CLA Control Register |
| MMEMCFG | 0x1411 | 1 | Yes | CLA Memory Configure Register |
| MPISRCSEL1 | 0x1414 | 2 | Yes | Peripheral Interrupt Source Select Register 1 |
| MIFR | 0x1420 | 1 | Yes | Interrupt Flag Register |
| MIOVF | 0x1421 | 1 | Yes | Interrupt Overflow Register |
| MIFRC | 0x1422 | 1 | Yes | Interrupt Force Register |
| MICLR | 0x1423 | 1 | Yes | Interrupt Clear Register |
| MICLROVF | 0x1424 | 1 | Yes | Interrupt Overflow Clear Register |
| MIER | 0x1425 | 1 | Yes | Interrupt Enable Register |
| MIRUN | 0x1426 | 1 | Yes | Interrupt RUN Register |
| MIPCTL | 0x1427 | 1 | Yes | Interrupt Priority Control Register |
| MPC ⁽²⁾ | 0x1428 | 1 | – | CLA Program Counter |
| MAR0 ⁽²⁾ | 0x142A | 1 | – | CLA Aux Register 0 |
| MAR1 ⁽²⁾ | 0x142B | 1 | – | CLA Aux Register 1 |
| MSTF ⁽²⁾ | 0x142E | 2 | – | CLA STF Register |
| MR0 ⁽²⁾ | 0x1430 | 2 | – | CLA R0H Register |
| MR1 ⁽²⁾ | 0x1434 | 2 | – | CLA R1H Register |
| MR2 ⁽²⁾ | 0x1438 | 2 | – | CLA R2H Register |
| MR3 ⁽²⁾ | 0x143C | 2 | – | CLA R3H Register |

(1) All registers in this table are CSM protected

(2) The main C28x CPU has read only access to this register for debug purposes. The main CPU cannot perform CPU or debugger writes to this register.

Table 7-23. CLA Message RAM

| ADDRESS RANGE | SIZE (x16) | DESCRIPTION |
|-----------------|------------|------------------------|
| 0x1480 – 0x14FF | 128 | CLA to CPU Message RAM |
| 0x1500 – 0x157F | 128 | CPU to CLA Message RAM |

7.9.2 Analog Block

A 12-bit ADC core is implemented that has different timings than the 12-bit ADC used on F280x/F2833x. The ADC wrapper is modified to incorporate the new timings and also other enhancements to improve the timing control of start of conversions. Figure 7-16 shows the interaction of the analog module with the rest of the F2803x system.

For more information on the ADC, see the Analog-to-Digital Converter and Comparator chapter in the *TMS320F2803x Real-Time Microcontrollers Technical Reference Manual*.

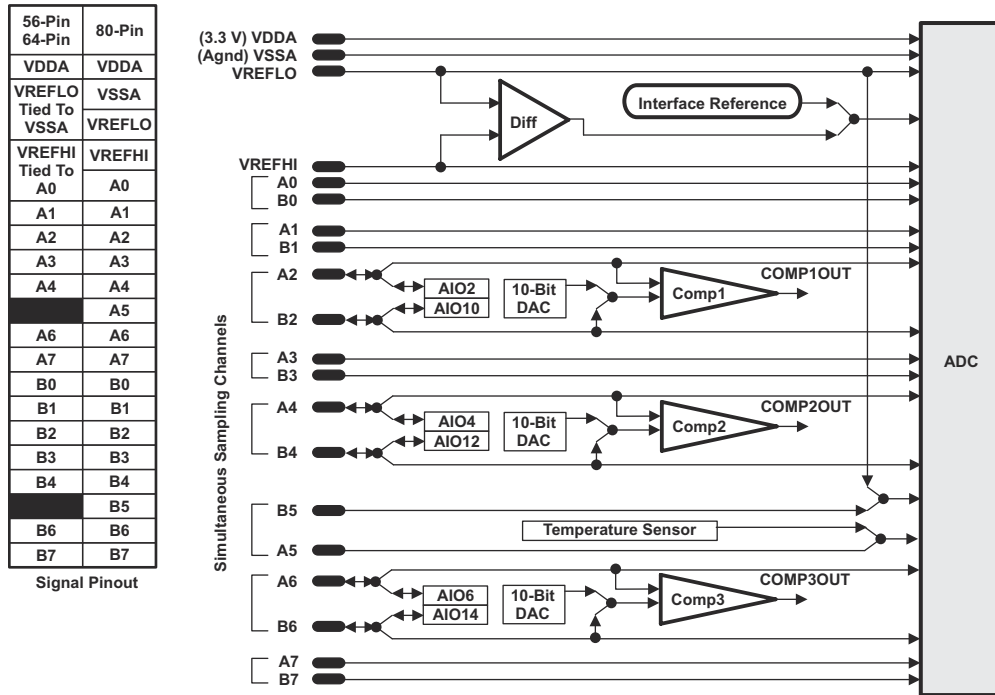


Figure 7-16. Analog Pin Configurations

7.9.2.1 Analog-to-Digital Converter (ADC)

7.9.2.1.1 Features

The core of the ADC contains a single 12-bit converter fed by two sample-and-hold circuits. The sample-and-hold circuits can be sampled simultaneously or sequentially. These, in turn, are fed by a total of up to 16 analog input channels. The converter can be configured to run with an internal band-gap reference to create true-voltage based conversions or with a pair of external voltage references (V_{REFHI}/V_{REFLO}) to create ratiometric-based conversions.

Contrary to previous ADC types, this ADC is not sequencer-based. It is easy for the user to create a series of conversions from a single trigger. However, the basic principle of operation is centered around the configurations of individual conversions, called SOCs, or Start-Of-Conversions.

Functions of the ADC module include:

- 12-bit ADC core with built-in dual sample-and-hold (S/H)
- Simultaneous sampling or sequential sampling modes
- Full range analog input: 0 V to 3.3 V fixed, or V_{REFHI}/V_{REFLO} ratiometric. The digital value of the input analog voltage is derived by:
 - Internal Reference ($V_{REFLO} = V_{SSA}$. V_{REFHI} must not exceed V_{DDA} when using either internal or external reference modes.)

Digital Value = 0, when input ≤ 0 V

Digital Value = $4096 \times \frac{\text{Input Analog Voltage} - V_{REFLO}}{3.3}$ when $0 \text{ V} < \text{input} < 3.3 \text{ V}$

Digital Value = 4095, when input ≥ 3.3 V

- External Reference (V_{REFHI}/V_{REFLO} connected to external references. V_{REFHI} must not exceed V_{DDA} when using either internal or external reference modes.)

Digital Value = 0, when input ≤ 0 V

Digital Value = $4096 \times \frac{\text{Input Analog Voltage} - V_{REFLO}}{V_{REFHI} - V_{REFLO}}$ when $0 \text{ V} < \text{input} < V_{REFHI}$

Digital Value = 4095, when input $\geq V_{REFHI}$

- Up to 16-channel, multiplexed inputs
- 16 SOCs, configurable for trigger, sample window, and channel
- 16 result registers (individually addressable) to store conversion values
- Multiple trigger sources
 - S/W – software immediate start
 - ePWM 1–7
 - GPIO XINT2
 - CPU Timers 0/1/2
 - ADCINT1/2
- 9 flexible PIE interrupts, can configure interrupt request after any conversion

Table 7-24. ADC Configuration and Control Registers

| REGISTER NAME | ADDRESS | SIZE (x16) | EALLOW PROTECTED | DESCRIPTION |
|---------------------------|-----------------|------------|------------------|--|
| ADCCTL1 | 0x7100 | 1 | Yes | Control 1 Register |
| ADCCTL2 | 0x7101 | 1 | Yes | Control 2 Register |
| ADCINTFLG | 0x7104 | 1 | No | Interrupt Flag Register |
| ADCINTFLGCLR | 0x7105 | 1 | No | Interrupt Flag Clear Register |
| ADCINTOVF | 0x7106 | 1 | No | Interrupt Overflow Register |
| ADCINTOVFCLR | 0x7107 | 1 | No | Interrupt Overflow Clear Register |
| INTSEL1N2 | 0x7108 | 1 | Yes | Interrupt 1 and 2 Selection Register |
| INTSEL3N4 | 0x7109 | 1 | Yes | Interrupt 3 and 4 Selection Register |
| INTSEL5N6 | 0x710A | 1 | Yes | Interrupt 5 and 6 Selection Register |
| INTSEL7N8 | 0x710B | 1 | Yes | Interrupt 7 and 8 Selection Register |
| INTSEL9N10 | 0x710C | 1 | Yes | Interrupt 9 Selection Register (reserved Interrupt 10 Selection) |
| SOCPRCTL | 0x7110 | 1 | Yes | SOC Priority Control Register |
| ADCSAMPLEMODE | 0x7112 | 1 | Yes | Sampling Mode Register |
| ADCINTSOCSEL1 | 0x7114 | 1 | Yes | Interrupt SOC Selection 1 Register (for 8 channels) |
| ADCINTSOCSEL2 | 0x7115 | 1 | Yes | Interrupt SOC Selection 2 Register (for 8 channels) |
| ADCSOCFLG1 | 0x7118 | 1 | No | SOC Flag 1 Register (for 16 channels) |
| ADCSOCFRC1 | 0x711A | 1 | No | SOC Force 1 Register (for 16 channels) |
| ADCSOCOVF1 | 0x711C | 1 | No | SOC Overflow 1 Register (for 16 channels) |
| ADCSOCOVFCLR1 | 0x711E | 1 | No | SOC Overflow Clear 1 Register (for 16 channels) |
| ADCSOC0CTL to ADCSOC15CTL | 0x7120 – 0x712F | 1 | Yes | SOC0 Control Register to SOC15 Control Register |
| ADCREFTRIM | 0x7140 | 1 | Yes | Reference Trim Register |
| ADCOFFTRIM | 0x7141 | 1 | Yes | Offset Trim Register |
| COMPHYSTCTL | 0x714C | 1 | Yes | Comparator Hysteresis Control Register |
| ADCREV | 0x714F | 1 | No | Revision Register |

Table 7-25. ADC Result Registers (Mapped to PF0)

| REGISTER NAME | ADDRESS | SIZE (x16) | EALLOW PROTECTED | DESCRIPTION |
|---------------------------|----------------|------------|------------------|---|
| ADCRESULT0 to ADCRESULT15 | 0xB00 to 0xB0F | 1 | No | ADC Result 0 Register to ADC Result 15 Register |

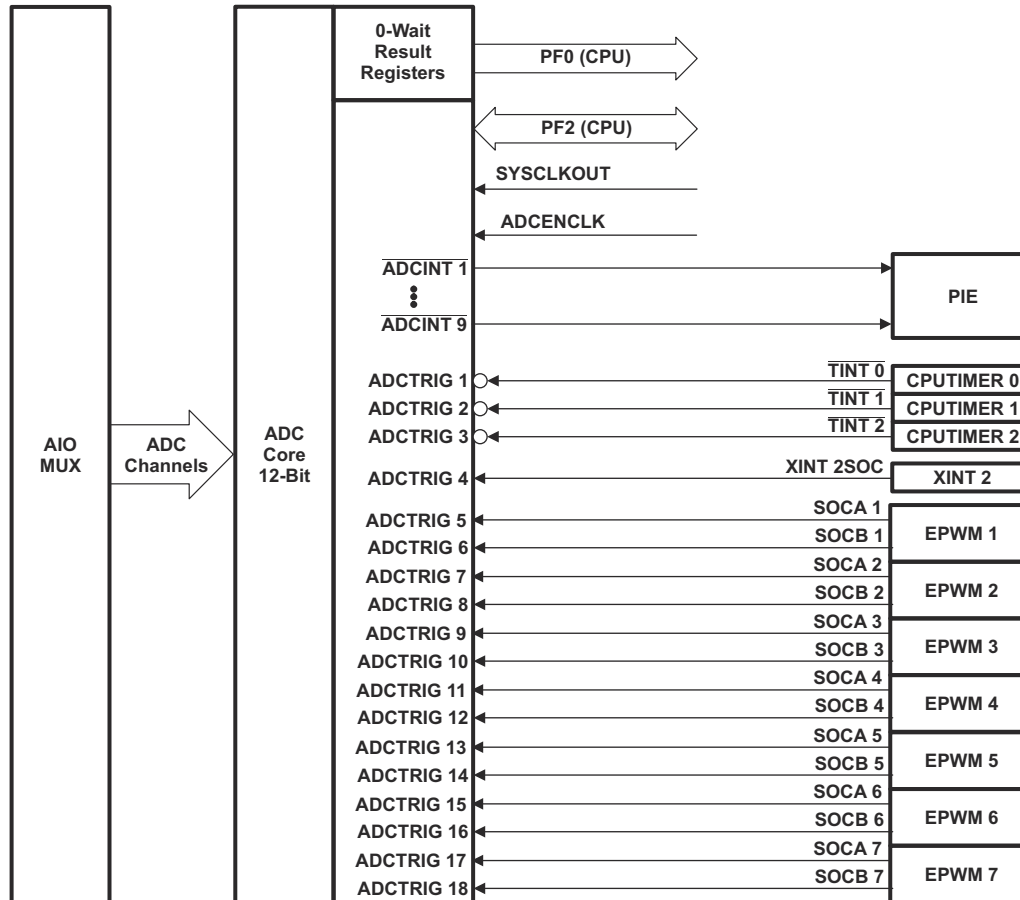


Figure 7-17. ADC Connections

ADC Connections if the ADC is Not Used

TI recommends keeping the connections for the analog power pins, even if the ADC is not used. Following is a summary of how the ADC pins should be connected, if the ADC is not used in an application:

- V_{DDA} – Connect to V_{DDIO}
- V_{SSA} – Connect to V_{SS}
- V_{REFLO} – Connect to V_{SS}
- $ADCINAn$, $ADCINBn$, V_{REFHI} – Connect to V_{SSA}

When the ADC module is used in an application, unused ADC input pins should be connected to analog ground (V_{SSA}).

Note

Unused ADCIN pins that are multiplexed with AIO function should not be directly connected to analog ground. They should be grounded through a 1-k Ω resistor. This is to prevent an errant code from configuring these pins as AIO outputs and driving grounded pins to a logic-high state.

When the ADC is not used, be sure that the clock to the ADC module is not turned on to realize power savings.

7.9.2.1.2 ADC Start-of-Conversion Electrical Data/Timing

7.9.2.1.2.1 External ADC Start-of-Conversion Switching Characteristics

over recommended operating conditions (unless otherwise noted)

| PARAMETER | | MIN | MAX | UNIT |
|------------------|---|----------------|-----|--------|
| $t_{w(ADCSOCL)}$ | Pulse duration, $\overline{ADCSOCxO}$ low | $32t_{c(HCO)}$ | | cycles |

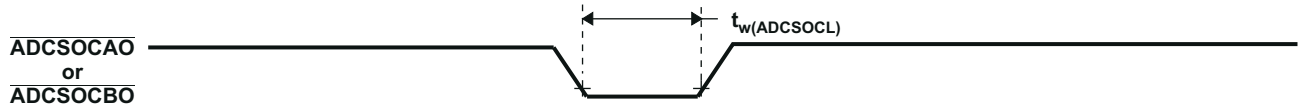


Figure 7-18. $\overline{ADCSOCAO}$ or $\overline{ADCSOCBO}$ Timing

7.9.2.1.3 On-Chip Analog-to-Digital Converter (ADC) Electrical Data/Timing

7.9.2.1.3.1 ADC Electrical Characteristics

| PARAMETER | | MIN | TYP | MAX | UNIT |
|--|--|--------------------|------|--------------------|---------------|
| DC SPECIFICATIONS | | | | | |
| Resolution | | 12 | | | Bits |
| ADC clock | 60-MHz device | 0.001 | | 60 | MHz |
| Sample Window | 28035/34/33/32 | 7 | | 64 | ADC Clocks |
| | 28031/30 | 24 | | 64 | |
| ACCURACY | | | | | |
| INL (Integral nonlinearity) at ADC Clock \leq 30 MHz ⁽¹⁾ | | -4 | | 4 | LSB |
| DNL (Differential nonlinearity) at ADC Clock \leq 30 MHz, no missing codes | | -1 | | 1 | LSB |
| Offset error ⁽²⁾ | Executing a single self-recalibration ⁽³⁾ | -20 | 0 | 20 | LSB |
| | Executing periodic self-recalibration ⁽⁴⁾ | -4 | 0 | 4 | |
| Overall gain error with internal reference | | -60 | | 60 | LSB |
| Overall gain error with external reference | | -40 | | 40 | LSB |
| Channel-to-channel offset variation | | -4 | | 4 | LSB |
| Channel-to-channel gain variation | | -4 | | 4 | LSB |
| ADC temperature coefficient with internal reference | | | -50 | | ppm/°C |
| ADC temperature coefficient with external reference | | | -20 | | ppm/°C |
| V _{REFLO} | | | -100 | | μA |
| V _{REFHI} | | | 100 | | μA |
| ANALOG INPUT | | | | | |
| Analog input voltage with internal reference | | 0 | | 3.3 | V |
| Analog input voltage with external reference | | V _{REFLO} | | V _{REFHI} | V |
| V _{REFLO} input voltage ⁽⁵⁾ | | V _{SSA} | | 0.66 | V |
| V _{REFHI} input voltage ⁽⁶⁾ | | 2.64 | | V _{DDA} | V |
| | with V _{REFLO} = V _{SSA} | 1.98 | | V _{DDA} | |
| Input capacitance | | | 5 | | pF |
| Input leakage current | | | ±2 | | μA |

- (1) INL will degrade when the ADC input voltage goes above V_{DDA}.
- (2) 1 LSB has the weighted value of full-scale range (FSR)/4096. FSR is 3.3 V with internal reference and V_{REFHI} - V_{REFLO} for external reference.
- (3) For more details, see the [TMS320F2803x Real-Time MCUs Silicon Errata](#).
- (4) Periodic self-recalibration will remove system-level and temperature dependencies on the ADC zero offset error. This can be performed as needed in the application without sacrificing an ADC channel by using the procedure listed in the "ADC Zero Offset Calibration" section of the Analog-to-Digital Converter and Comparator chapter in the [TMS320F2803x Real-Time Microcontrollers Technical Reference Manual](#).
- (5) V_{REFLO} is always connected to V_{SSA} on the 64-pin PAG device.
- (6) V_{REFHI} must not exceed V_{DDA} when using either internal or external reference modes. Because V_{REFHI} is tied to ADCINA0 on the 64-pin PAG device, the input signal on ADCINA0 must not exceed V_{DDA}.

7.9.2.1.3.2 ADC Power Modes

| ADC OPERATING MODE | CONDITIONS | I _{DDA} | UNITS |
|-------------------------------|---|------------------|-------|
| Mode A – Operating Mode | ADC Clock Enabled Band gap On (ADCBGPWD = 1) Reference On (ADCREFPWD = 1) ADC Powered Up (ADCPWDN = 1) | 13 | mA |
| Mode B – Quick Wake Mode | ADC Clock Enabled Band gap On (ADCBGPWD = 1) Reference On (ADCREFPWD = 1) ADC Powered Up (ADCPWDN = 0) | 4 | mA |
| Mode C – Comparator-Only Mode | ADC Clock Enabled Band gap On (ADCBGPWD = 1) Reference On (ADCREFPWD = 0) ADC Powered Up (ADCPWDN = 0) | 1.5 | mA |
| Mode D – Off Mode | ADC Clock Enabled Band gap On (ADCBGPWD = 0) Reference On (ADCREFPWD = 0) ADC Powered Up (ADCPWDN = 0) | 0.075 | mA |

7.9.2.1.3.3 Internal Temperature Sensor

7.9.2.1.3.3.1 Temperature Sensor Coefficient

| PARAMETER ⁽¹⁾ | | MIN | TYP | MAX | UNIT |
|--------------------------|---|-----|------------------------------------|-----|--------|
| T _{SLOPE} | Degrees C of temperature movement per measured ADC LSB change of the temperature sensor | | 0.18 ⁽²⁾ ⁽³⁾ | | °C/LSB |
| T _{OFFSET} | ADC output at 0°C of the temperature sensor | | 1750 | | LSB |

- (1) The temperature sensor slope and offset are given in terms of ADC LSBs using the internal reference of the ADC. Values must be adjusted accordingly in external reference mode to the external reference voltage.
- (2) Output of the temperature sensor (in terms of LSBs) is sign-consistent with the direction of the temperature movement. Increasing temperatures will give increasing ADC values relative to an initial value; decreasing temperatures will give decreasing ADC values relative to an initial value.
- (3) ADC temperature coefficient is accounted for in this specification

7.9.2.1.3.4 ADC Power-Up Control Bit Timing

7.9.2.1.3.4.1 ADC Power-Up Delays

| PARAMETER ⁽¹⁾ | | MIN | MAX | UNIT |
|--------------------------|--|-----|-----|------|
| t _{d(PWD)} | Delay time for the ADC to be stable after power up | | 1 | ms |

- (1) Timings maintain compatibility to the ADC module. The 2803x ADC supports driving all 3 bits at the same time t_{d(PWD)} ms before first conversion.

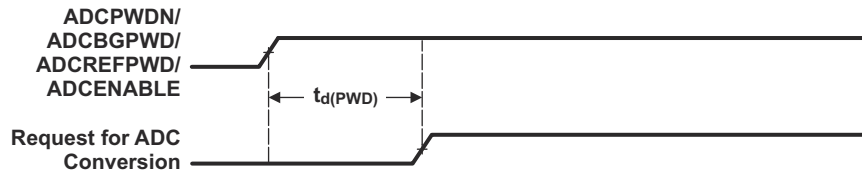
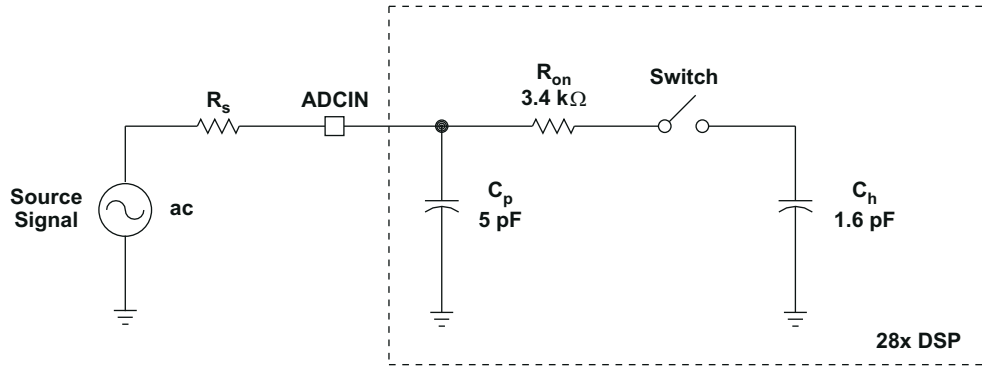


Figure 7-19. ADC Conversion Timing



Typical Values of the Input Circuit Components:

- Switch Resistance (R_{on}): 3.4 kΩ
- Sampling Capacitor (C_h): 1.6 pF
- Parasitic Capacitance (C_p): 5 pF
- Source Resistance (R_s): 50 Ω

Figure 7-20. ADC Input Impedance Model

7.9.2.1.3.5 ADC Sequential and Simultaneous Timings

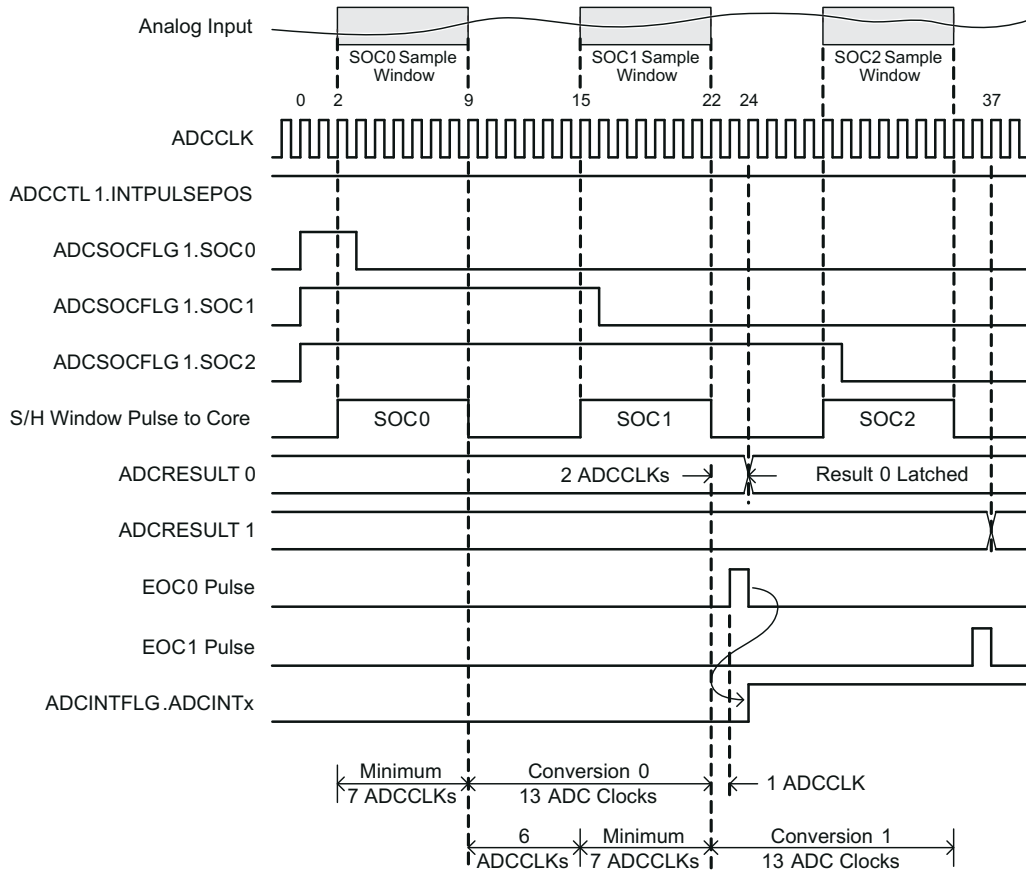


Figure 7-21. Timing Example for Sequential Mode / Late Interrupt Pulse

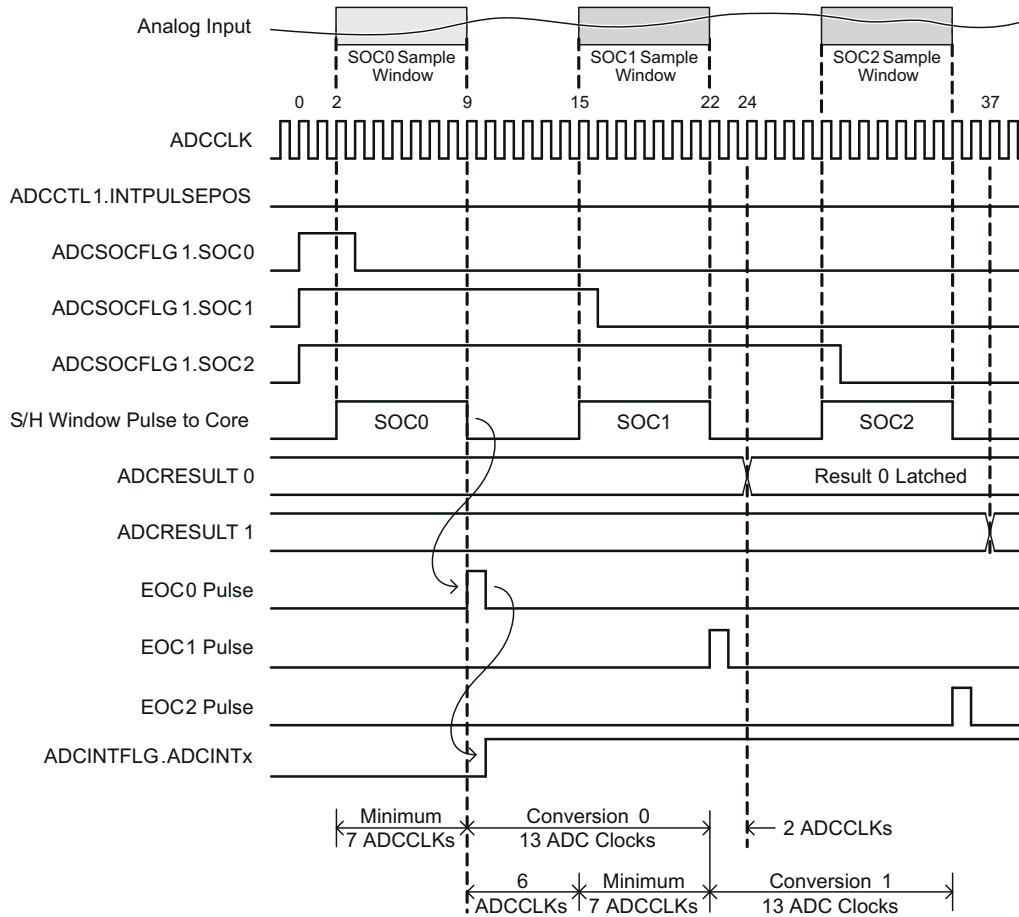


Figure 7-22. Timing Example for Sequential Mode / Early Interrupt Pulse

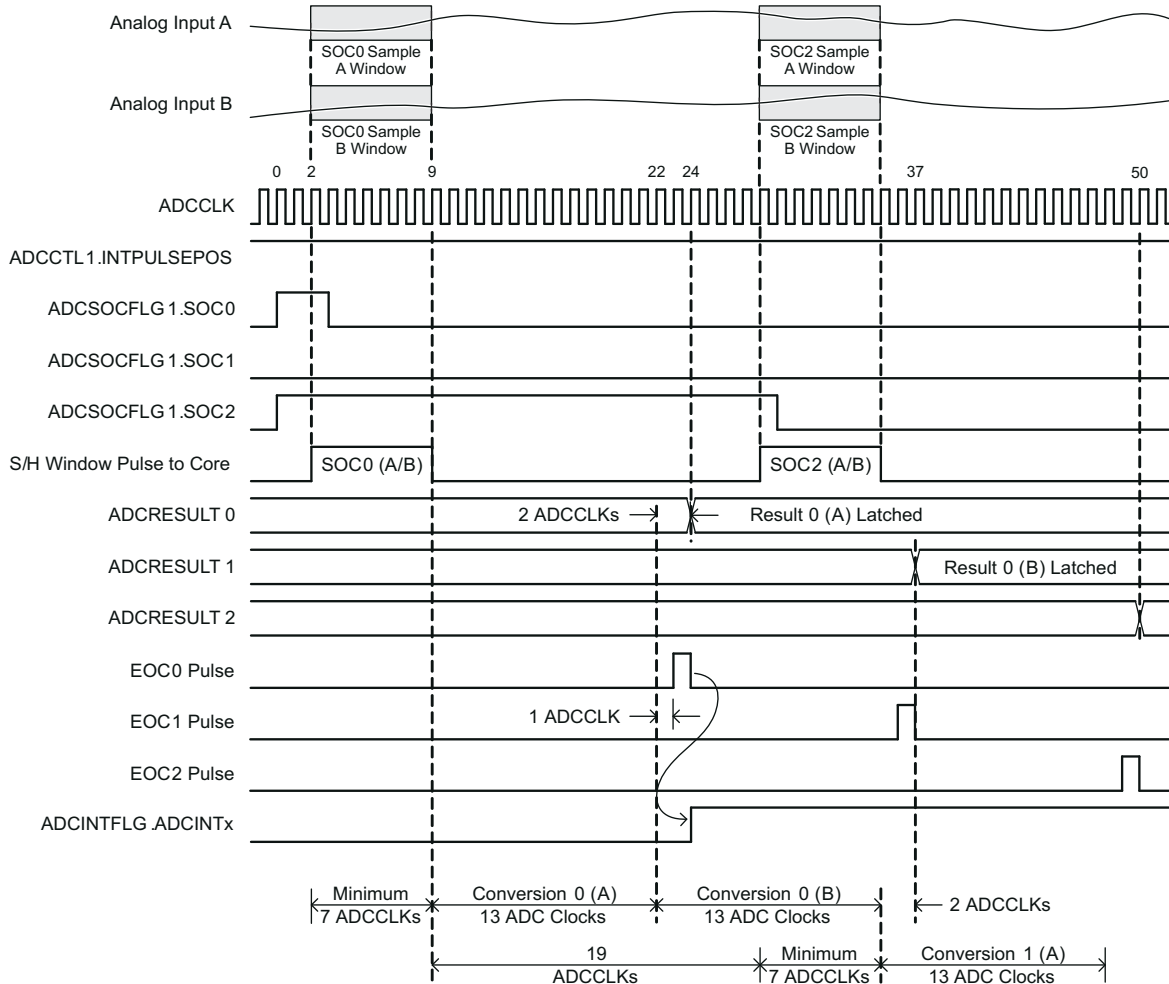


Figure 7-23. Timing Example for Simultaneous Mode / Late Interrupt Pulse

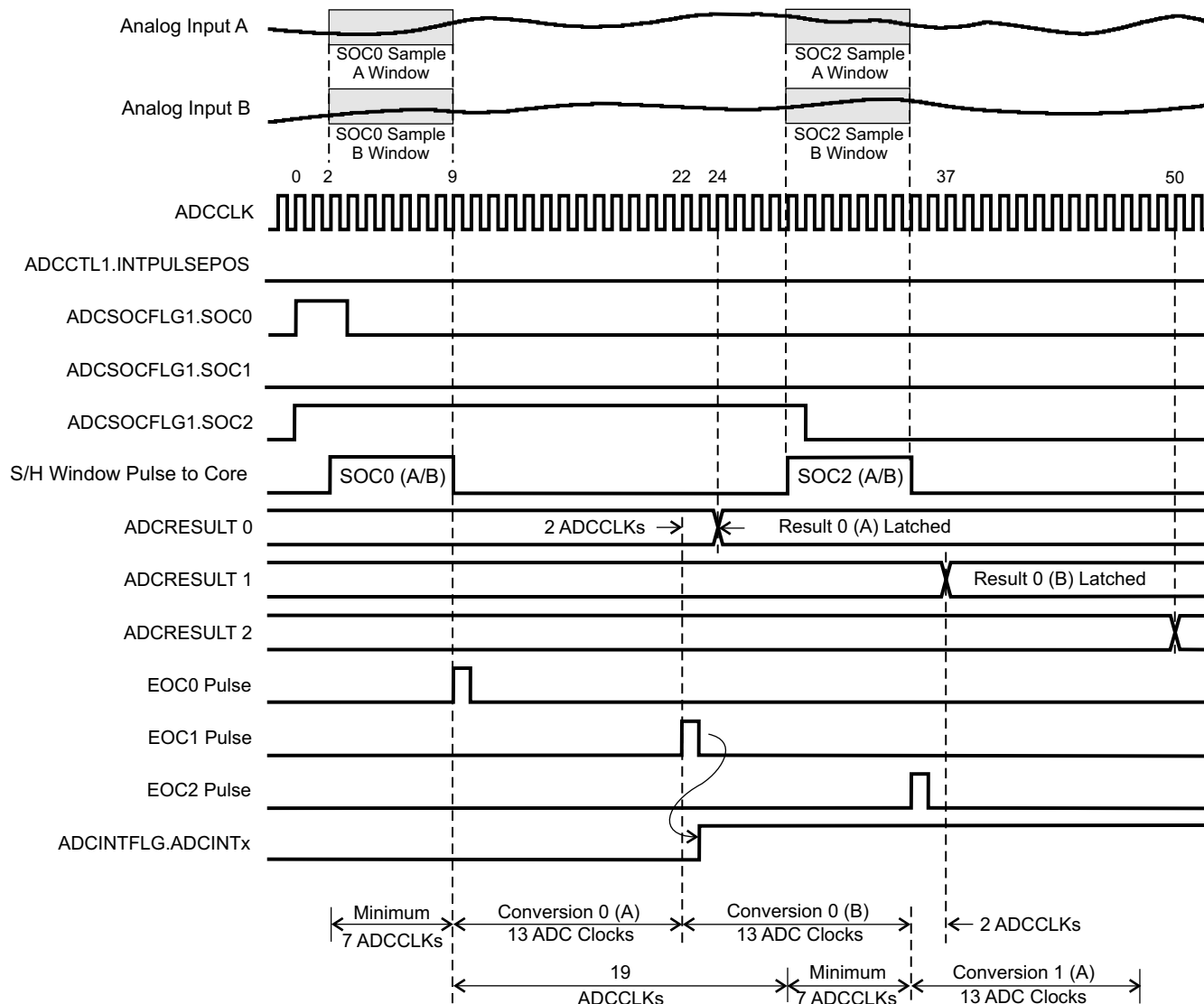


Figure 7-24. Timing Example for Simultaneous Mode / Early Interrupt Pulse

7.9.2.2 ADC MUX

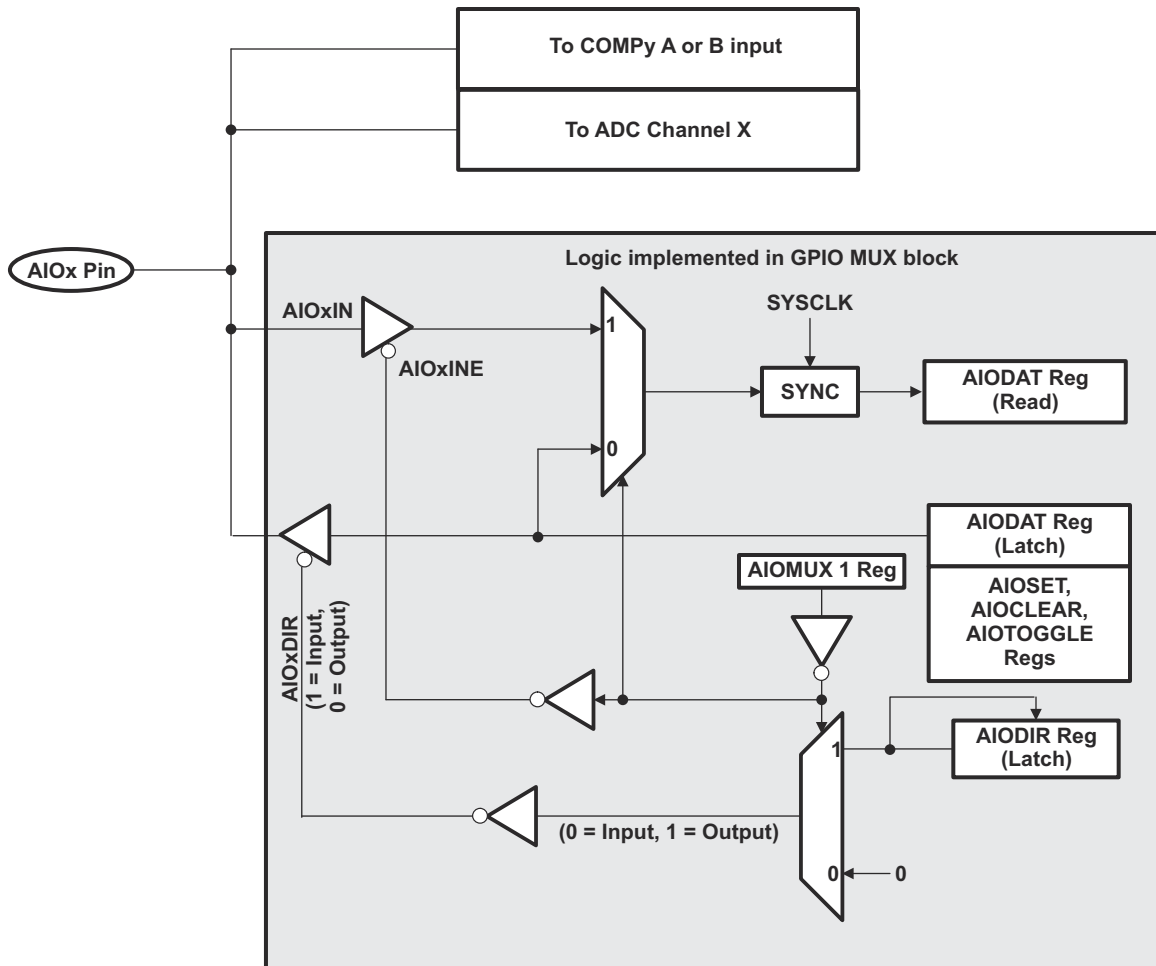


Figure 7-25. AIOx Pin Multiplexing

The ADC channel and Comparator functions are always available. The digital I/O function is available only when the respective bit in the AIOMUX1 register is 0. In this mode, reading the AIODAT register reflects the actual pin state.

The digital I/O function is disabled when the respective bit in the AIOMUX1 register is 1. In this mode, reading the AIODAT register reflects the output latch of the AIODAT register and the input digital I/O buffer is disabled to prevent analog signals from generating noise.

On reset, the digital function is disabled. If the pin is used as an analog input, users should keep the AIO function disabled for that pin.

7.9.2.3 Comparator Block

Figure 7-26 shows the interaction of the Comparator modules with the rest of the system.

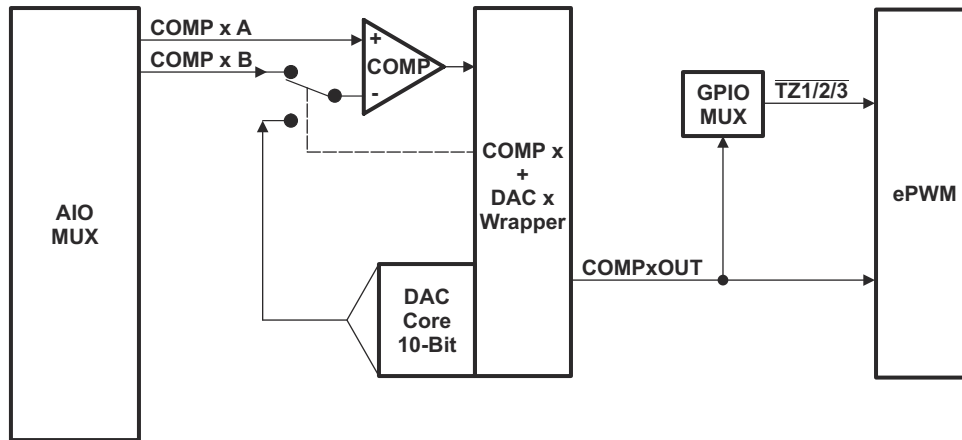


Figure 7-26. Comparator Block Diagram

Table 7-26. Comparator Control Registers

| REGISTER NAME | COMP1 ADDRESS | COMP2 ADDRESS | COMP3 ADDRESS | SIZE (x16) | EALLOW PROTECTED | DESCRIPTION |
|-------------------|---------------|---------------|---------------|------------|------------------|--|
| COMPCTL | 0x6400 | 0x6420 | 0x6440 | 1 | Yes | Comparator Control Register |
| COMPSTS | 0x6402 | 0x6422 | 0x6442 | 1 | No | Comparator Status Register |
| DACCTL | 0x6404 | 0x6424 | 0x6444 | 1 | Yes | DAC Control Register |
| DACVAL | 0x6406 | 0x6426 | 0x6446 | 1 | No | DAC Value Register |
| RAMPMAXREF_ACTIVE | 0x6408 | 0x6428 | 0x6448 | 1 | No | Ramp Generator Maximum Reference (Active) Register |
| RAMPMAXREF_SHDW | 0x640A | 0x642A | 0x644A | 1 | No | Ramp Generator Maximum Reference (Shadow) Register |
| RAMPDECVAL_ACTIVE | 0x640C | 0x642C | 0x644C | 1 | No | Ramp Generator Decrement Value (Active) Register |
| RAMPDECVAL_SHDW | 0x640E | 0x642E | 0x644E | 1 | No | Ramp Generator Decrement Value (Shadow) Register |
| RAMPSTS | 0x6410 | 0x6430 | 0x6450 | 1 | No | Ramp Generator Status Register |

7.9.2.3.1 On-Chip Comparator/DAC Electrical Data/Timing

7.9.2.3.1.1 Electrical Characteristics of the Comparator/DAC

| PARAMETER | MIN | TYP | MAX | UNITS |
|---|-----|---------------------|-----|-------|
| Comparator | | | | |
| Comparator Input Range | | $V_{SSA} - V_{DDA}$ | | V |
| Comparator response time to PWM Trip Zone (Async) | | 30 | | ns |
| Input Offset | | ±5 | | mV |
| Input Hysteresis ⁽¹⁾ | | 35 | | mV |
| DAC | | | | |
| DAC Output Range | | $V_{SSA} - V_{DDA}$ | | V |
| DAC resolution | | 10 | | bits |
| DAC settling time | | See Figure 7-27 | | |
| DAC Gain | | -1.5% | | |
| DAC Offset | | 10 | | mV |
| Monotonic | | Yes | | |
| INL | | ±3 | | LSB |

- (1) Hysteresis on the comparator inputs is achieved with a Schmidt trigger configuration. This results in an effective 100-kΩ feedback resistance between the output of the comparator and the noninverting input of the comparator. There is an option to disable the hysteresis and, with it, the feedback resistance; see the Analog-to-Digital Converter and Comparator chapter in the [TMS320F2803x Real-Time Microcontrollers Technical Reference Manual](#) for more information on this option if needed in your system.

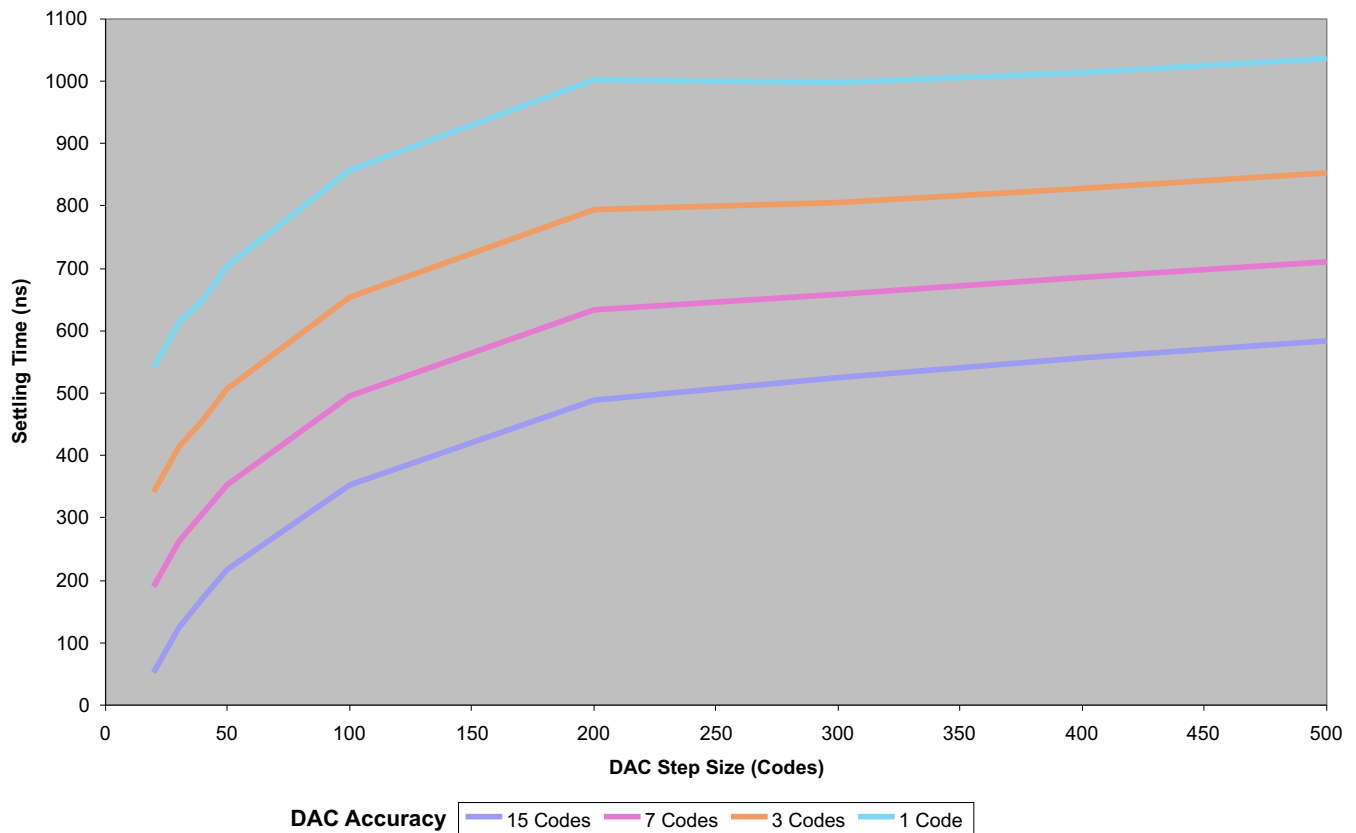


Figure 7-27. DAC Settling Time

7.9.3 Detailed Descriptions

Integral Nonlinearity

Integral nonlinearity refers to the deviation of each individual code from a line drawn from zero to full scale. The point used as zero occurs one-half LSB before the first code transition. The full-scale point is defined as level one-half LSB beyond the last code transition. The deviation is measured from the center of each particular code to the true straight line between these two points.

Differential Nonlinearity

An ideal ADC exhibits code transitions that are exactly 1 LSB apart. DNL is the deviation from this ideal value. A differential nonlinearity error of less than ± 1 LSB ensures no missing codes.

Zero Offset

The major carry transition should occur when the analog input is at zero volts. Zero error is defined as the deviation of the actual transition from that point.

Gain Error

The first code transition should occur at an analog value one-half LSB above negative full scale. The last transition should occur at an analog value one and one-half LSB below the nominal full scale. Gain error is the deviation of the actual difference between first and last code transitions and the ideal difference between first and last code transitions.

Signal-to-Noise Ratio + Distortion (SINAD)

SINAD is the ratio of the rms value of the measured input signal to the rms sum of all other spectral components below the Nyquist frequency, including harmonics but excluding dc. The value for SINAD is expressed in decibels.

Effective Number of Bits (ENOB)

For a sine wave, SINAD can be expressed in terms of the number of bits. Using the following formula, $N = \frac{(\text{SINAD} - 1.76)}{6.02}$ it is possible to get a measure of performance expressed as N, the effective number of bits. Thus, effective number of bits for a device for sine wave inputs at a given input frequency can be calculated directly from its measured SINAD.

Total Harmonic Distortion (THD)

THD is the ratio of the rms sum of the first nine harmonic components to the rms value of the measured input signal and is expressed as a percentage or in decibels.

Spurious Free Dynamic Range (SFDR)

SFDR is the difference in dB between the rms amplitude of the input signal and the peak spurious signal.

7.9.4 Serial Peripheral Interface (SPI) Module

The device includes the four-pin serial peripheral interface (SPI) module. Up to two SPI modules are available. The SPI is a high-speed, synchronous serial I/O port that allows a serial bit stream of programmed length (1 to 16 bits) to be shifted into and out of the device at a programmable bit-transfer rate. Normally, the SPI is used for communications between the MCU and external peripherals or another processor. Typical applications include external I/O or peripheral expansion through devices such as shift registers, display drivers, and ADCs. Multidevice communications are supported by the master/slave operation of the SPI.

The SPI module features include:

- Four external pins:
 - SPISOMI: SPI slave-output/master-input pin
 - SPISIMO: SPI slave-input/master-output pin
 - SPISTE: SPI slave transmit-enable pin
 - SPICLK: SPI serial-clock pin

Note

All four pins can be used as GPIO if the SPI module is not used.

- Two operational modes: master and slave

Baud rate: 125 different programmable rates.

$$\text{Baud rate} = \frac{\text{LSPCLK}}{(\text{SPIBRR} + 1)} \quad \text{when SPIBRR} = 3 \text{ to } 127$$

$$\text{Baud rate} = \frac{\text{LSPCLK}}{4} \quad \text{when SPIBRR} = 0, 1, 2$$

- Data word length: 1 to 16 data bits
- Four clocking schemes (controlled by clock polarity and clock phase bits) include:
 - Falling edge without phase delay: SPICLK active-high. SPI transmits data on the falling edge of the SPICLK signal and receives data on the rising edge of the SPICLK signal.
 - Falling edge with phase delay: SPICLK active-high. SPI transmits data one half-cycle ahead of the falling edge of the SPICLK signal and receives data on the falling edge of the SPICLK signal.
 - Rising edge without phase delay: SPICLK inactive-low. SPI transmits data on the rising edge of the SPICLK signal and receives data on the falling edge of the SPICLK signal.
 - Rising edge with phase delay: SPICLK inactive-low. SPI transmits data one half-cycle ahead of the rising edge of the SPICLK signal and receives data on the rising edge of the SPICLK signal.
- Simultaneous receive and transmit operation (transmit function can be disabled in software)
- Transmitter and receiver operations are accomplished through either interrupt-driven or polled algorithms.
- Nine SPI module control registers: In control register frame beginning at address 7040h.

Note

All registers in this module are 16-bit registers that are connected to Peripheral Frame 2. When a register is accessed, the register data is in the lower byte (7–0), and the upper byte (15–8) is read as zeros. Writing to the upper byte has no effect.

Enhanced feature:

- 4-level transmit/receive FIFO
- Delayed transmit control
- Bidirectional 3 wire SPI mode support
- Audio data receive support through SPISTE inversion

The SPI port operation is configured and controlled by the registers listed in [Table 7-27](#) and [Table 7-28](#).

Table 7-27. SPI-A Registers

| NAME | ADDRESS | SIZE (x16) | EALLOW PROTECTED | DESCRIPTION ⁽¹⁾ |
|----------|---------|------------|------------------|---|
| SPICCR | 0x7040 | 1 | No | SPI-A Configuration Control Register |
| SPICTL | 0x7041 | 1 | No | SPI-A Operation Control Register |
| SPISTS | 0x7042 | 1 | No | SPI-A Status Register |
| SPIBRR | 0x7044 | 1 | No | SPI-A Baud Rate Register |
| SPIRXEMU | 0x7046 | 1 | No | SPI-A Receive Emulation Buffer Register |
| SPIRXBUF | 0x7047 | 1 | No | SPI-A Serial Input Buffer Register |
| SPITXBUF | 0x7048 | 1 | No | SPI-A Serial Output Buffer Register |
| SPIDAT | 0x7049 | 1 | No | SPI-A Serial Data Register |
| SPIFFTX | 0x704A | 1 | No | SPI-A FIFO Transmit Register |
| SPIFFRX | 0x704B | 1 | No | SPI-A FIFO Receive Register |
| SPIFFCT | 0x704C | 1 | No | SPI-A FIFO Control Register |
| SPIPRI | 0x704F | 1 | No | SPI-A Priority Control Register |

(1) Registers in this table are mapped to Peripheral Frame 2. This space only allows 16-bit accesses. 32-bit accesses produce undefined results.

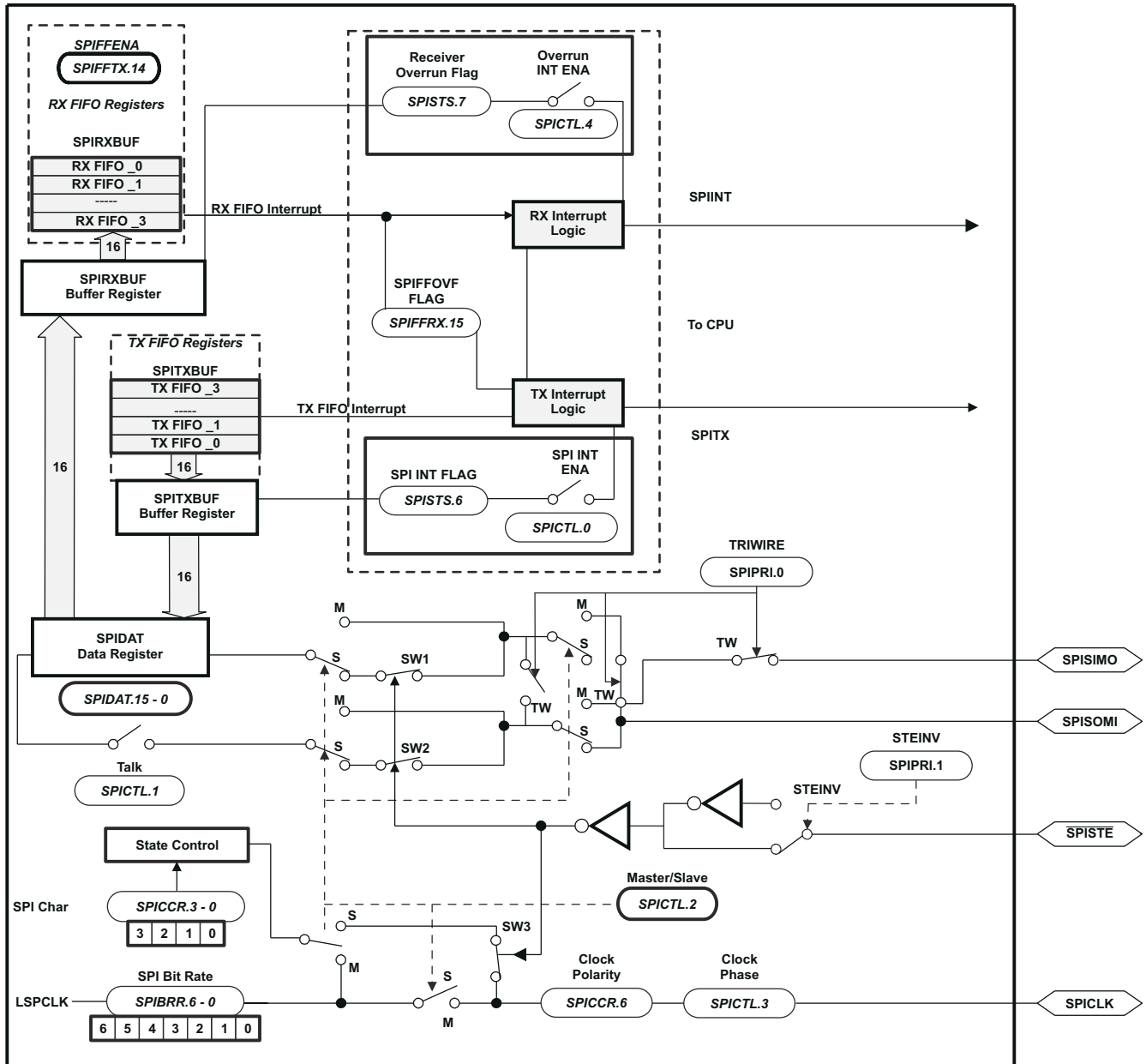
Table 7-28. SPI-B Registers

| NAME | ADDRESS | SIZE (x16) | EALLOW PROTECTED | DESCRIPTION ⁽¹⁾ |
|----------|---------|------------|------------------|---|
| SPICCR | 0x7740 | 1 | No | SPI-B Configuration Control Register |
| SPICTL | 0x7741 | 1 | No | SPI-B Operation Control Register |
| SPISTS | 0x7742 | 1 | No | SPI-B Status Register |
| SPIBRR | 0x7744 | 1 | No | SPI-B Baud Rate Register |
| SPIRXEMU | 0x7746 | 1 | No | SPI-B Receive Emulation Buffer Register |
| SPIRXBUF | 0x7747 | 1 | No | SPI-B Serial Input Buffer Register |
| SPITXBUF | 0x7748 | 1 | No | SPI-B Serial Output Buffer Register |
| SPIDAT | 0x7749 | 1 | No | SPI-B Serial Data Register |
| SPIFFTX | 0x774A | 1 | No | SPI-B FIFO Transmit Register |
| SPIFFRX | 0x774B | 1 | No | SPI-B FIFO Receive Register |
| SPIFFCT | 0x774C | 1 | No | SPI-B FIFO Control Register |
| SPIPRI | 0x774F | 1 | No | SPI-B Priority Control Register |

(1) Registers in this table are mapped to Peripheral Frame 2. This space only allows 16-bit accesses. 32-bit accesses produce undefined results.

For more information on the SPI, see the Serial Peripheral Interface (SPI) chapter in the [TMS320F2803x Real-Time Microcontrollers Technical Reference Manual](#).

Figure 7-28 is a block diagram of the SPI in slave mode.



A. $\overline{\text{SPISTE}}$ is driven low by the master for a slave device.

Figure 7-28. SPI Module Block Diagram (Slave Mode)

7.9.4.1 SPI Master Mode Electrical Data/Timing

Section 7.9.4.1.1 lists the master mode timing (clock phase = 0) and Section 7.9.4.1.2 lists the master mode timing (clock phase = 1). Figure 7-29 and Figure 7-30 show the timing waveforms.

7.9.4.1.1 SPI Master Mode External Timing (Clock Phase = 0)

| NO. | PARAMETER ^{(1) (2) (3) (4) (5)} | BRR EVEN | | BRR ODD | | UNIT |
|-----|---|--|-----------------------|--|--|------|
| | | MIN | MAX | MIN | MAX | |
| 1 | $t_{c(SPC)M}$ Cycle time, SPICLK | $4t_{c(LSPCLK)}$ | $128t_{c(LSPCLK)}$ | $5t_{c(LSPCLK)}$ | $127t_{c(LSPCLK)}$ | ns |
| 2 | $t_{w(SPC1)M}$ Pulse duration, SPICLK first pulse | $0.5t_{c(SPC)M} - 10$ | $0.5t_{c(SPC)M} + 10$ | $0.5t_{c(SPC)M} + 0.5t_{c(LSPCLK)} - 10$ | $0.5t_{c(SPC)M} + 0.5t_{c(LSPCLK)} + 10$ | ns |
| 3 | $t_{w(SPC2)M}$ Pulse duration, SPICLK second pulse | $0.5t_{c(SPC)M} - 10$ | $0.5t_{c(SPC)M} + 10$ | $0.5t_{c(SPC)M} - 0.5t_{c(LSPCLK)} - 10$ | $0.5t_{c(SPC)M} - 0.5t_{c(LSPCLK)} + 10$ | ns |
| 4 | $t_{d(SIMO)M}$ Delay time, SPICLK to SPISIMO valid | | 10 | | 10 | ns |
| 5 | $t_{v(SIMO)M}$ Valid time, SPISIMO valid after SPICLK | $0.5t_{c(SPC)M} - 10$ | | $0.5t_{c(SPC)M} - 0.5t_{c(LSPCLK)} - 10$ | | ns |
| 8 | $t_{su(SOMI)M}$ Setup time, SPISOMI before SPICLK | 26 | | 26 | | ns |
| 9 | $t_{h(SOMI)M}$ Hold time, SPISOMI valid after SPICLK | 0 | | 0 | | ns |
| 23 | $t_{d(SPC)M}$ Delay time, SPISTE active to SPICLK | $1.5t_{c(SPC)M} - 3t_{c(SYSCLK)} - 10$ | | $1.5t_{c(SPC)M} - 3t_{c(SYSCLK)} - 10$ | | ns |
| 24 | $t_{d(STE)M}$ Delay time, SPICLK to SPISTE inactive | $0.5t_{c(SPC)M} - 10$ | | $0.5t_{c(SPC)M} - 0.5t_{c(LSPCLK)} - 10$ | | ns |

- (1) The MASTER / SLAVE bit (SPICTL.2) is set and the CLOCK PHASE bit (SPICTL.3) is cleared.
- (2) $t_{c(SPC)} = \text{SPI clock cycle time} = \text{LSPCLK}/4$ or $\text{LSPCLK}/(\text{SPIBRR} + 1)$
- (3) $t_{c(LCO)} = \text{LSPCLK cycle time}$
- (4) Internal clock prescalers must be adjusted such that the SPI clock speed is limited to the following SPI clock rate:
 Master mode transmit 25-MHz MAX, master mode receive 12.5-MHz MAX
 Slave mode transmit 12.5-MHz MAX, slave mode receive 12.5-MHz MAX.
- (5) The active edge of the SPICLK signal referenced is controlled by the clock polarity bit (SPICCR.6).

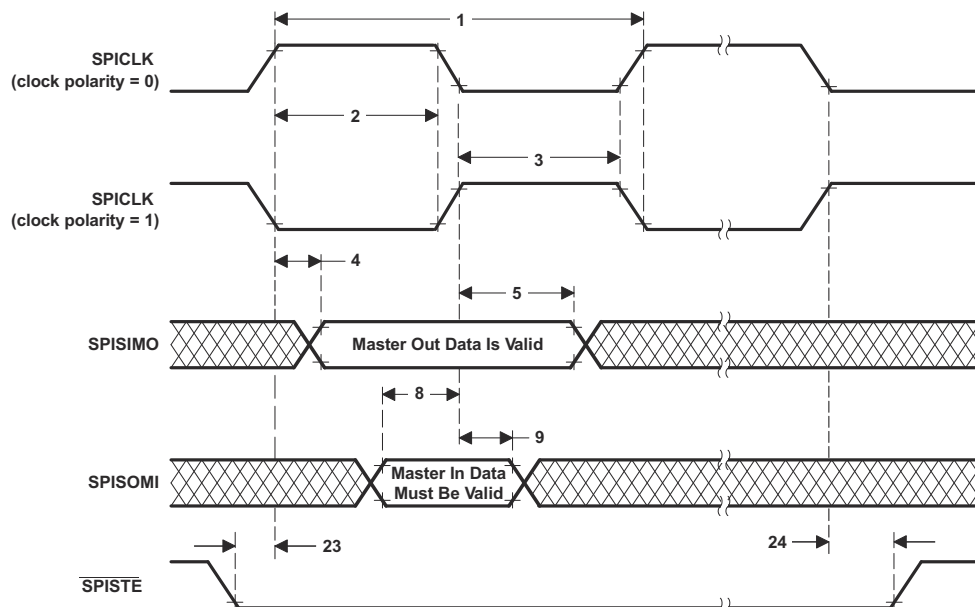


Figure 7-29. SPI Master Mode External Timing (Clock Phase = 0)

7.9.4.1.2 SPI Master Mode External Timing (Clock Phase = 1)

| NO. | PARAMETER ^{(1) (2) (3) (4) (5)} | BRR EVEN | | BRR ODD | | UNIT |
|-----|---|--------------------------------------|-----------------------|--|--|------|
| | | MIN | MAX | MIN | MAX | |
| 1 | $t_{c(SPC)M}$ Cycle time, SPICLK | $4t_{c(LSPCLK)}$ | $128t_{c(LSPCLK)}$ | $5t_{c(LSPCLK)}$ | $127t_{c(LSPCLK)}$ | ns |
| 2 | $t_{w(SPC1)M}$ Pulse duration, SPICLK first pulse | $0.5t_{c(SPC)M} - 10$ | $0.5t_{c(SPC)M} + 10$ | $0.5t_{c(SPC)M} - 0.5t_{c(LSPCLK)} - 10$ | $0.5t_{c(SPC)M} - 0.5t_{c(LSPCLK)} + 10$ | ns |
| 3 | $t_{w(SPC2)M}$ Pulse duration, SPICLK second pulse | $0.5t_{c(SPC)M} - 10$ | $0.5t_{c(SPC)M} + 10$ | $0.5t_{c(SPC)M} + 0.5t_{c(LSPCLK)} - 10$ | $0.5t_{c(SPC)M} + 0.5t_{c(LSPCLK)} + 10$ | ns |
| 6 | $t_{d(SIMO)M}$ Delay time, SPISIMO valid to SPICLK | $0.5t_{c(SPC)M} - 10$ | | $0.5t_{c(SPC)M} + 0.5t_{c(LSPCLK)} - 10$ | | ns |
| 7 | $t_{v(SIMO)M}$ Valid time, SPISIMO valid after SPICLK | $0.5t_{c(SPC)M} - 10$ | | $0.5t_{c(SPC)M} - 0.5t_{c(LSPCLK)} - 10$ | | ns |
| 10 | $t_{su(SOMI)M}$ Setup time, SPISOMI before SPICLK | 26 | | 26 | | ns |
| 11 | $t_{h(SOMI)M}$ Hold time, SPISOMI valid after SPICLK | 0 | | 0 | | ns |
| 23 | $t_{d(SPC)M}$ Delay time, SPIS $\overline{T}E$ active to SPICLK | $2t_{c(SPC)M} - 3t_{c(SYSCLK)} - 10$ | | $2t_{c(SPC)M} - 3t_{c(SYSCLK)} - 10$ | | ns |
| 24 | $t_{d(STE)M}$ Delay time, SPICLK to SPIS $\overline{T}E$ inactive | $0.5t_{c(SPC)} - 10$ | | $0.5t_{c(SPC)} - 0.5t_{c(LSPCLK)} - 10$ | | ns |

- (1) The MASTER/SLAVE bit (SPICTL.2) is set and the CLOCK PHASE bit (SPICTL.3) is set.
- (2) $t_{c(SPC)} = \text{SPI clock cycle time} = \text{LSPCLK}/4$ or $\text{LSPCLK}/(\text{SPIBRR} + 1)$
- (3) Internal clock prescalers must be adjusted such that the SPI clock speed is limited to the following SPI clock rate:
Master mode transmit 25 MHz MAX, master mode receive 12.5 MHz MAX
Slave mode transmit 12.5 MHz MAX, slave mode receive 12.5 MHz MAX.
- (4) $t_{c(LCO)} = \text{LSPCLK cycle time}$
- (5) The active edge of the SPICLK signal referenced is controlled by the CLOCK POLARITY bit (SPICCR.6).

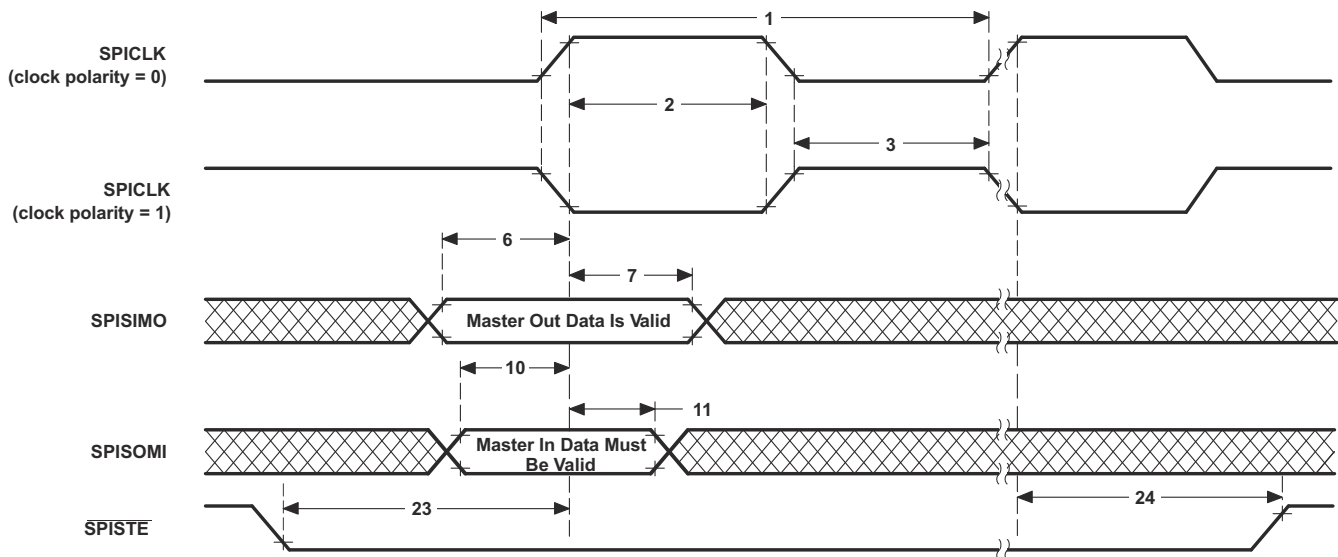


Figure 7-30. SPI Master Mode External Timing (Clock Phase = 1)

7.9.4.2 SPI Slave Mode Electrical Data/Timing

Section 7.9.4.2.1 lists the slave mode timing (clock phase = 0) and Section 7.9.4.2.2 lists the slave mode timing (clock phase = 1). Figure 7-31 and Figure 7-32 show the timing waveforms.

7.9.4.2.1 SPI Slave Mode External Timing (Clock Phase = 0)

| NO. | PARAMETER ^{(1) (2) (4) (3) (5)} | MIN | MAX | UNIT |
|-----|---|----------------------|-----|------|
| 12 | $t_{c(SPC)}S$ Cycle time, SPICLK | $4t_{c(SYSCLK)}$ | | ns |
| 13 | $t_{w(SPC1)}S$ Pulse duration, SPICLK first pulse | $2t_{c(SYSCLK)} - 1$ | | ns |
| 14 | $t_{w(SPC2)}S$ Pulse duration, SPICLK second pulse | $2t_{c(SYSCLK)} - 1$ | | ns |
| 15 | $t_{d(SOMI)}S$ Delay time, SPICLK to SPISOMI valid | | 21 | ns |
| 16 | $t_{v(SOMI)}S$ Valid time, SPISOMI data valid after SPICLK | 0 | | ns |
| 19 | $t_{su(SIMO)}S$ Setup time, SPISIMO valid before SPICLK | $1.5t_{c(SYSCLK)}$ | | ns |
| 20 | $t_{h(SIMO)}S$ Hold time, SPISIMO data valid after SPICLK | $1.5t_{c(SYSCLK)}$ | | ns |
| 25 | $t_{su(STE)}S$ Setup time, \overline{SPISTE} active before SPICLK | $1.5t_{c(SYSCLK)}$ | | ns |
| 26 | $t_{h(STE)}S$ Hold time, \overline{SPISTE} inactive after SPICLK | $1.5t_{c(SYSCLK)}$ | | ns |

- (1) The MASTER / SLAVE bit (SPICTL.2) is cleared and the CLOCK PHASE bit (SPICTL.3) is cleared.
- (2) $t_{c(SPC)} = \text{SPI clock cycle time} = \text{LSPCLK}/4$ or $\text{LSPCLK}/(\text{SPIBRR} + 1)$
- (3) $t_{c(LCO)} = \text{LSPCLK cycle time}$
- (4) Internal clock prescalers must be adjusted such that the SPI clock speed is limited to the following SPI clock rate:
 Master mode transmit 25-MHz MAX, master mode receive 12.5-MHz MAX
 Slave mode transmit 12.5-MHz MAX, slave mode receive 12.5-MHz MAX.
- (5) The active edge of the SPICLK signal referenced is controlled by the CLOCK POLARITY bit (SPICCR.6).

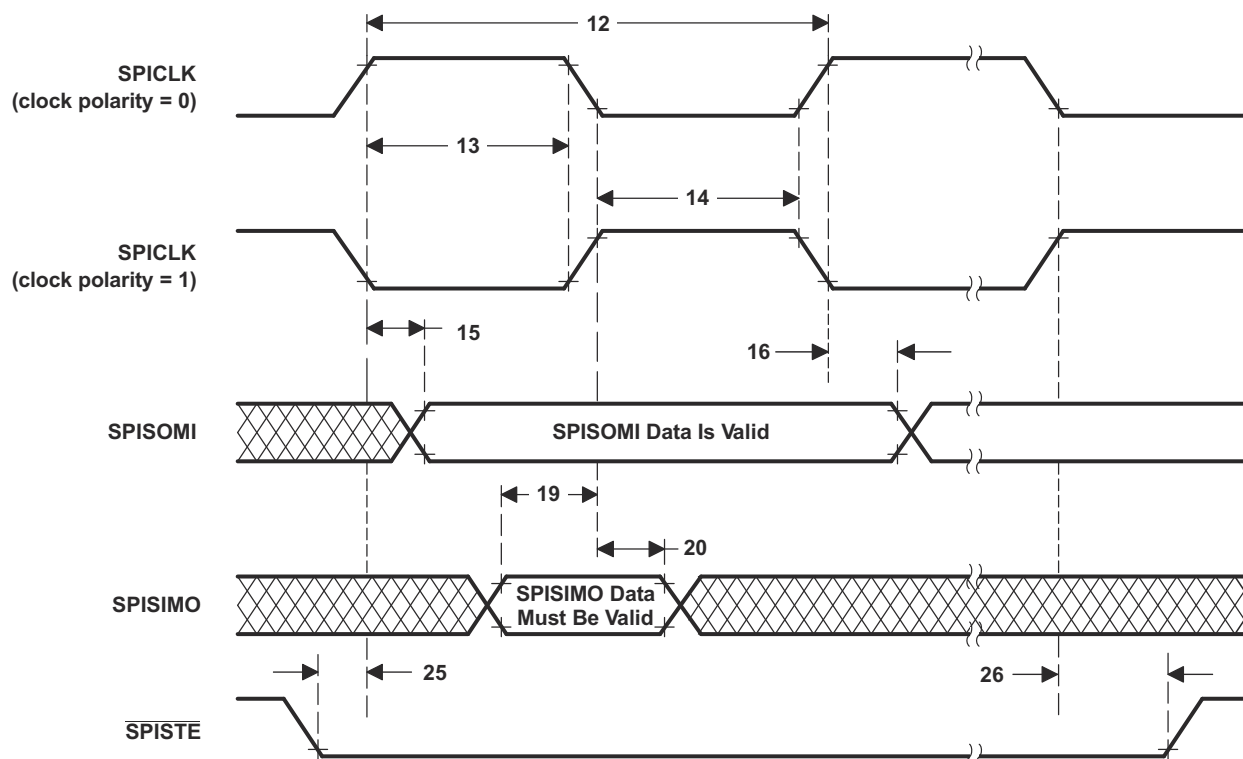


Figure 7-31. SPI Slave Mode External Timing (Clock Phase = 0)

7.9.4.2.2 SPI Slave Mode External Timing (Clock Phase = 1)

| NO. | PARAMETER ^{(1) (2) (3) (4)} | | MIN | MAX | UNIT |
|-----|--------------------------------------|--|----------------------|-----|------|
| 12 | $t_{c(SPC)}$ S | Cycle time, SPICLK | $4t_{c(SYSCLK)}$ | | ns |
| 13 | $t_{w(SPC1)}$ S | Pulse duration, SPICLK first pulse | $2t_{c(SYSCLK)} - 1$ | | ns |
| 14 | $t_{w(SPC2)}$ S | Pulse duration, SPICLK second pulse | $2t_{c(SYSCLK)} - 1$ | | ns |
| 17 | $t_{d(SOMI)}$ S | Delay time, SPICLK to SPISOMI valid | | 21 | ns |
| 18 | $t_{v(SOMI)}$ S | Valid time, SPISOMI data valid after SPICLK | 0 | | ns |
| 21 | $t_{su(SIMO)}$ S | Setup time, SPISIMO valid before SPICLK | $1.5t_{c(SYSCLK)}$ | | ns |
| 22 | $t_{h(SIMO)}$ S | Hold time, SPISIMO data valid after SPICLK | $1.5t_{c(SYSCLK)}$ | | ns |
| 25 | $t_{su(STE)}$ S | Setup time, \overline{SPISTE} active before SPICLK | $1.5t_{c(SYSCLK)}$ | | ns |
| 26 | $t_{h(STE)}$ S | Hold time, \overline{SPISTE} inactive after SPICLK | $1.5t_{c(SYSCLK)}$ | | ns |

- (1) The MASTER / SLAVE bit (SPICTL.2) is cleared and the CLOCK PHASE bit (SPICTL.3) is cleared.
- (2) $t_{c(SPC)}$ = SPI clock cycle time = LSPCLK/4 or LSPCLK/(SPIBRR + 1)
- (3) Internal clock prescalers must be adjusted such that the SPI clock speed is limited to the following SPI clock rate:
Master mode transmit 25-MHz MAX, master mode receive 12.5-MHz MAX
Slave mode transmit 12.5-MHz MAX, slave mode receive 12.5-MHz MAX.
- (4) The active edge of the SPICLK signal referenced is controlled by the CLOCK POLARITY bit (SPICCR.6).

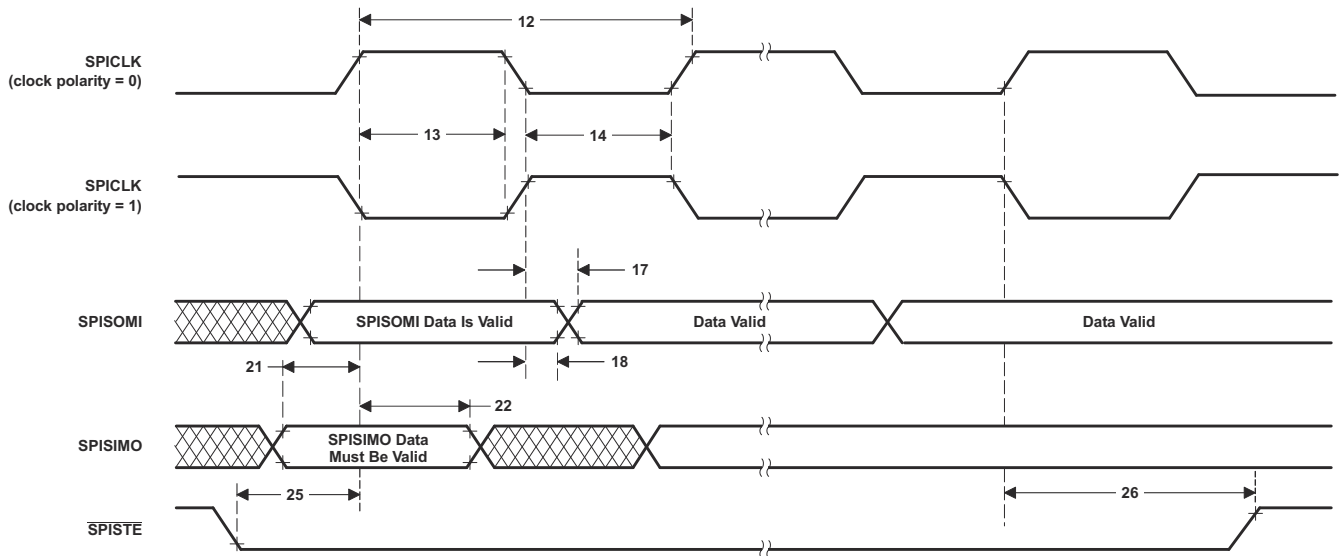


Figure 7-32. SPI Slave Mode External Timing (Clock Phase = 1)

7.9.5 Serial Communications Interface (SCI) Module

The devices include one serial communications interface (SCI) module (SCI-A). The SCI module supports digital communications between the CPU and other asynchronous peripherals that use the standard nonreturn-to-zero (NRZ) format. The SCI receiver and transmitter are double-buffered, and each has its own separate enable and interrupt bits. Both can be operated independently or simultaneously in the full-duplex mode. To ensure data integrity, the SCI checks received data for break detection, parity, overrun, and framing errors. The bit rate is programmable to over 65000 different speeds through a 16-bit baud-select register.

Features of each SCI module include:

- Two external pins:
 - SCITXD: SCI transmit-output pin
 - SCIRXD: SCI receive-input pin

Note

Both pins can be used as GPIO if not used for SCI.

- Baud rate programmable to 64K different rates:

$$\text{Baud rate} = \frac{\text{LSPCLK}}{(\text{BRR} + 1) * 8} \quad \text{when BRR} \neq 0$$

$$\text{Baud rate} = \frac{\text{LSPCLK}}{16} \quad \text{when BRR} = 0$$

- Data-word format
 - One start bit
 - Data-word length programmable from 1 to 8 bits
 - Optional even/odd/no parity bit
 - One or 2 stop bits
- Four error-detection flags: parity, overrun, framing, and break detection
- Two wake-up multiprocessor modes: idle-line and address bit
- Half- or full-duplex operation
- Double-buffered receive and transmit functions
- Transmitter and receiver operations can be accomplished through interrupt-driven or polled algorithms with status flags.
 - Transmitter: TXRDY flag (transmitter-buffer register is ready to receive another character) and TX EMPTY flag (transmitter-shift register is empty)
 - Receiver: RXRDY flag (receiver-buffer register is ready to receive another character), BRKDT flag (break condition occurred), and RX ERROR flag (monitoring four interrupt conditions)
- Separate enable bits for transmitter and receiver interrupts (except BRKDT)
- NRZ (nonreturn-to-zero) format

Note

All registers in this module are 8-bit registers that are connected to Peripheral Frame 2. When a register is accessed, the register data is in the lower byte (7–0), and the upper byte (15–8) is read as zeros. Writing to the upper byte has no effect.

Enhanced features:

- Auto baud-detect hardware logic
- 4-level transmit/receive FIFO

The SCI port operation is configured and controlled by the registers listed in [Table 7-29](#).

Table 7-29. SCI-A Registers

| NAME ⁽¹⁾ | ADDRESS | SIZE (x16) | EALLOW PROTECTED | DESCRIPTION |
|-------------------------|---------|------------|---------------------|--|
| SCICCRA | 0x7050 | 1 | No | SCI-A Communications Control Register |
| SCICTL1A | 0x7051 | 1 | No | SCI-A Control Register 1 |
| SCIHBAUDA | 0x7052 | 1 | No | SCI-A Baud Register, High Bits |
| SCILBAUDA | 0x7053 | 1 | No | SCI-A Baud Register, Low Bits |
| SCICTL2A | 0x7054 | 1 | No | SCI-A Control Register 2 |
| SCIRXSTA | 0x7055 | 1 | No | SCI-A Receive Status Register |
| SCIRXEMUA | 0x7056 | 1 | No | SCI-A Receive Emulation Data Buffer Register |
| SCIRXBUFA | 0x7057 | 1 | No | SCI-A Receive Data Buffer Register |
| SCITXBUFA | 0x7059 | 1 | No | SCI-A Transmit Data Buffer Register |
| SCIFFTXA ⁽²⁾ | 0x705A | 1 | No | SCI-A FIFO Transmit Register |
| SCIFFRXA ⁽²⁾ | 0x705B | 1 | No | SCI-A FIFO Receive Register |
| SCIFFCTA ⁽²⁾ | 0x705C | 1 | No | SCI-A FIFO Control Register |
| SCIPRIA | 0x705F | 1 | No | SCI-A Priority Control Register |

- (1) Registers in this table are mapped to Peripheral Frame 2 space. This space only allows 16-bit accesses. 32-bit accesses produce undefined results.
- (2) These registers are new registers for the FIFO mode.

For more information on the SCI, see the Serial Communications Interface (SCI) chapter in the [TMS320F2803x Real-Time Microcontrollers Technical Reference Manual](#).

[Figure 7-33](#) shows the SCI module block diagram.

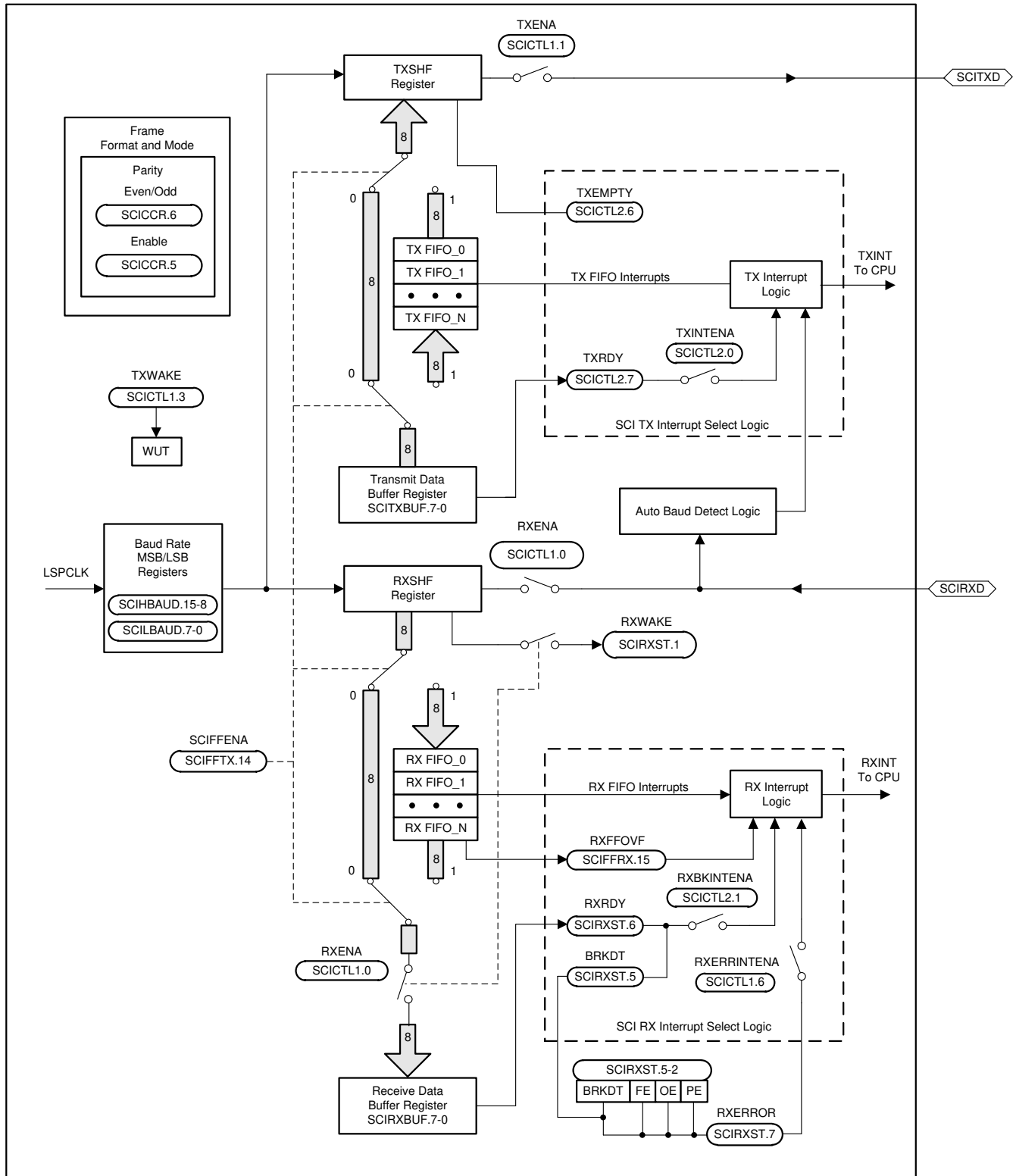


Figure 7-33. Serial Communications Interface (SCI) Module Block Diagram

7.9.6 Local Interconnect Network (LIN)

The device contains one LIN controller. The LIN standard is based on the SCI (UART) serial data link format. The LIN module can be configured to work as a SCI as well.

The LIN module has the following features:

- Compatible to LIN 1.3 or 2.0 protocols
- Two external pins: LINRX and LINTX
- Multibuffered receive and transmit units
- Identification masks for message filtering
- Automatic master header generation
 - Programmable sync break field
 - Sync field
 - Identifier field
- Slave automatic synchronization
 - Sync break detection
 - Optional baud rate update
 - Synchronization validation
- 2³¹ programmable transmission rates with 7 fractional bits
- Wakeup on LINRX dominant level from transceiver
- Automatic wakeup support
 - Wakeup signal generation
 - Expiration times on wakeup signals
- Automatic bus idle detection
- Error detection
 - Bit error
 - Bus error
 - No-response error
 - Checksum error
 - Sync field error
 - Parity error
- 2 Interrupt lines with priority encoding for:
 - Receive
 - Transmit
 - ID, error and status

Note

The 2803x devices have passed LIN 2.0 conformance tests (master and slave). Contact TI for details.

For more information on the LIN, see the Local Interconnect Network (LIN) Module chapter in the [TMS320F2803x Real-Time Microcontrollers Technical Reference Manual](#).

The registers in [Table 7-30](#) configure and control the operation of the LIN module.

Table 7-30. LIN-A Registers

| NAME ⁽¹⁾ | ADDRESS | SIZE (x16) | DESCRIPTION |
|---------------------|---------|------------|--|
| SCIGCR0 | 0x6C00 | 2 | Global Control Register 0 |
| SCIGCR1 | 0x6C02 | 2 | Global Control Register 1 |
| SCIGCR2 | 0x6C04 | 2 | Global Control Register 2 |
| SCISSETINT | 0x6C06 | 2 | Interrupt Enable Register |
| SCICLEARINT | 0x6C08 | 2 | Interrupt Disable Register |
| SCISSETINTLVL | 0x6C0A | 2 | Set Interrupt Level Register |
| SCICLEARINTLVL | 0x6C0C | 2 | Clear Interrupt Level Register |
| SCIFLR | 0x6C0E | 2 | Flag Register |
| SCIINTVECT0 | 0x6C10 | 2 | Interrupt Vector Offset Register 0 |
| SCIINTVECT1 | 0x6C12 | 2 | Interrupt Vector Offset Register 1 |
| SCIFORMAT | 0x6C14 | 2 | Length Control register |
| BRSR | 0x6C16 | 2 | Baud Rate Selection Register |
| SCIED | 0x6C18 | 2 | Emulation buffer register |
| SCIRD | 0x6C1A | 2 | Receiver data buffer register |
| SCITD | 0x6C1C | 2 | Transmit data buffer register |
| Reserved | 0x6C1E | 4 | RSVD |
| SIPIO2 | 0x6C22 | 2 | Pin control register 2 |
| Reserved | 0x6C24 | 10 | RSVD |
| LINCOMP | 0x6C30 | 2 | Compare register |
| LINRD0 | 0x6C32 | 2 | Receive data register 0 |
| LINRD1 | 0x6C34 | 2 | Receive data register 1 |
| LINMASK | 0x6C36 | 2 | Acceptance mask register |
| LINID | 0x6C38 | 2 | Register containing ID- byte, ID-SlaveTask byte, and ID received fields. |
| LINTD0 | 0x6C3A | 2 | Transmit Data Register 0 |
| LINTD1 | 0x6C3C | 2 | Transmit Data Register 1 |
| MBSR | 0x6C3E | 2 | Baud Rate Selection Register |
| Reserved | 0x6C40 | 8 | RSVD |
| IODFTCTRL | 0x6C48 | 2 | IODFT for BLIN |

(1) Some registers and some bits in other registers are EALLOW-protected. For more details, see the Local Interconnect Network (LIN) Module chapter in the [TMS320F2803x Real-Time Microcontrollers Technical Reference Manual](#).

Figure 7-34 shows the LIN module block diagram.

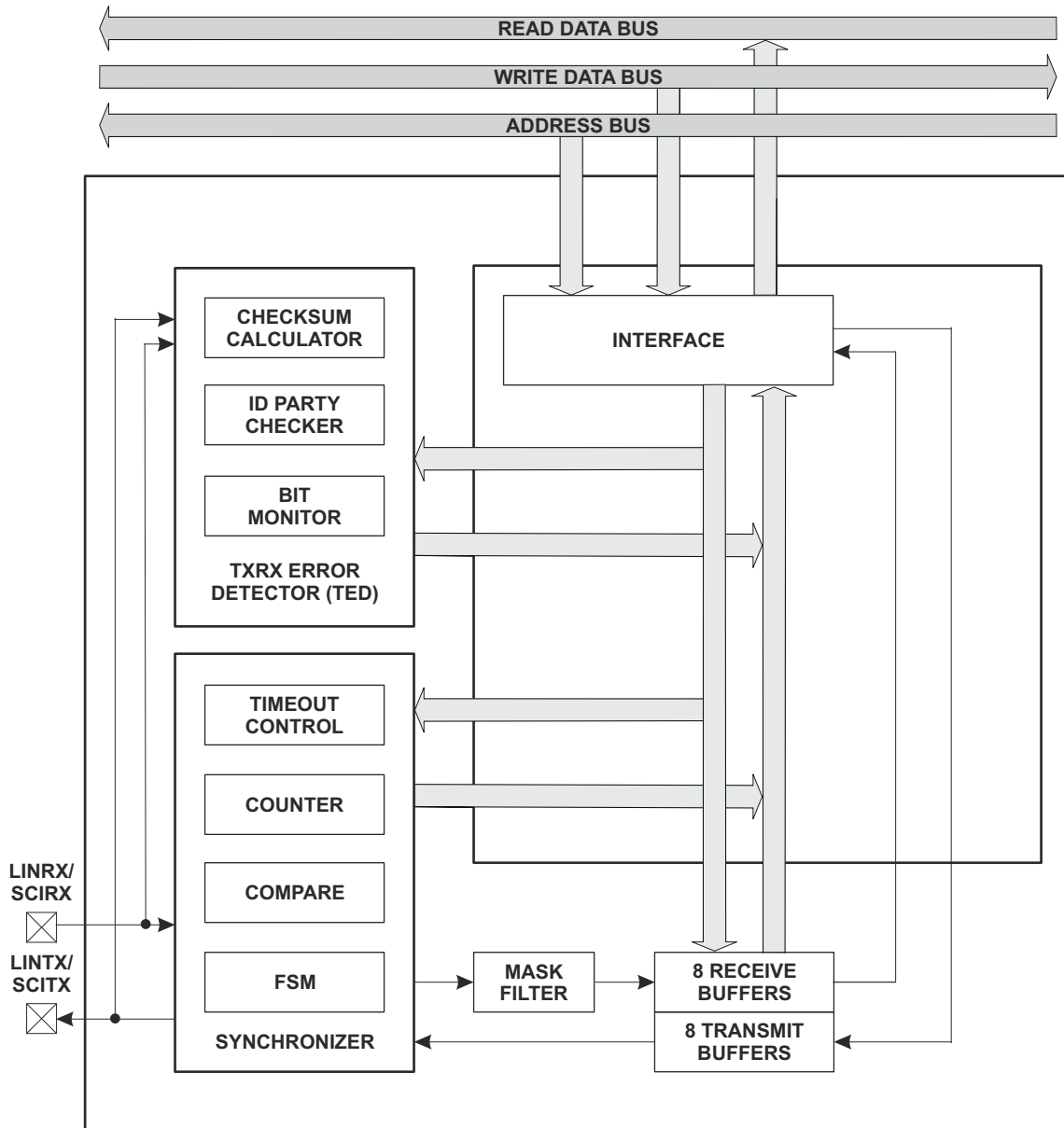


Figure 7-34. LIN Block Diagram

7.9.7 Enhanced Controller Area Network (eCAN) Module

The CAN module (eCAN-A) has the following features:

- Fully compliant with ISO11898-1 (CAN 2.0B)
- Supports data rates up to 1 Mbps
- Thirty-two mailboxes, each with the following properties:
 - Configurable as receive or transmit
 - Configurable with standard or extended identifier
 - Has a programmable receive mask
 - Supports data and remote frame
 - Composed of 0 to 8 bytes of data
 - Uses a 32-bit time stamp on receive and transmit message
 - Protects against reception of new message
 - Holds the dynamically programmable priority of transmit message
 - Employs a programmable interrupt scheme with two interrupt levels
 - Employs a programmable alarm on transmission or reception time-out
- Low-power mode
- Programmable wake-up on bus activity
- Automatic reply to a remote request message
- Automatic retransmission of a frame in case of loss of arbitration or error
- 32-bit local network time counter synchronized by a specific message (communication in conjunction with mailbox 16)
- Self-test mode
 - Operates in a loopback mode receiving its own message. A "dummy" acknowledge is provided, thereby eliminating the need for another node to provide the acknowledge bit.

Note

For a SYSCLKOUT of 60 MHz, the smallest bit rate possible is 4.6875 kbps.

The F2803x CAN has passed the conformance test per ISO/DIS 16845. Contact TI for test report and exceptions.

For information on using the CAN module with the on-chip zero-pin oscillators, see [MCU CAN Module Operation Using the On-Chip Zero-Pin Oscillator](#).

For more information on the CAN, see the Controller Area Network (CAN) chapter in the [TMS320F2803x Real-Time Microcontrollers Technical Reference Manual](#).

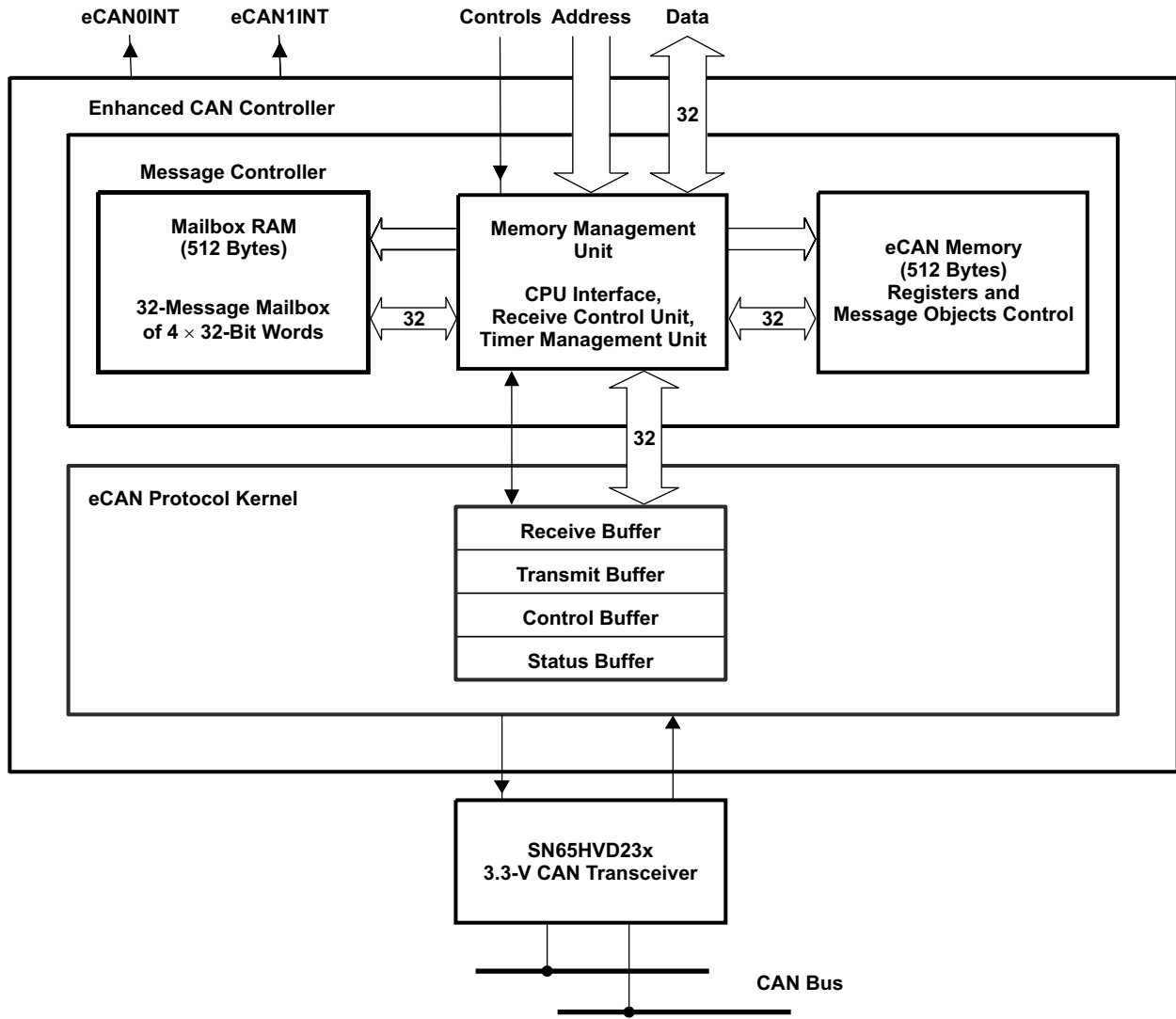


Figure 7-35. eCAN Block Diagram and Interface Circuit

Table 7-31. 3.3-V eCAN Transceivers

| PART NUMBER | SUPPLY VOLTAGE | LOW-POWER MODE | SLOPE CONTROL | VREF | OTHER | T _A |
|-------------|----------------|-------------------|---------------|------|---|----------------|
| SN65HVD230 | 3.3 V | Standby | Adjustable | Yes | – | –40°C to 85°C |
| SN65HVD230Q | 3.3 V | Standby | Adjustable | Yes | – | –40°C to 125°C |
| SN65HVD231 | 3.3 V | Sleep | Adjustable | Yes | – | –40°C to 85°C |
| SN65HVD231Q | 3.3 V | Sleep | Adjustable | Yes | – | –40°C to 125°C |
| SN65HVD232 | 3.3 V | None | None | None | – | –40°C to 85°C |
| SN65HVD232Q | 3.3 V | None | None | None | – | –40°C to 125°C |
| SN65HVD233 | 3.3 V | Standby | Adjustable | None | Diagnostic Loopback | –40°C to 125°C |
| SN65HVD234 | 3.3 V | Standby and Sleep | Adjustable | None | – | –40°C to 125°C |
| SN65HVD235 | 3.3 V | Standby | Adjustable | None | Autobaud Loopback | –40°C to 125°C |
| ISO1050 | 3–5.5 V | None | None | None | Built-in Isolation Low Prop Delay Thermal Shutdown Failsafe Operation Dominant Time-Out | –55°C to 105°C |

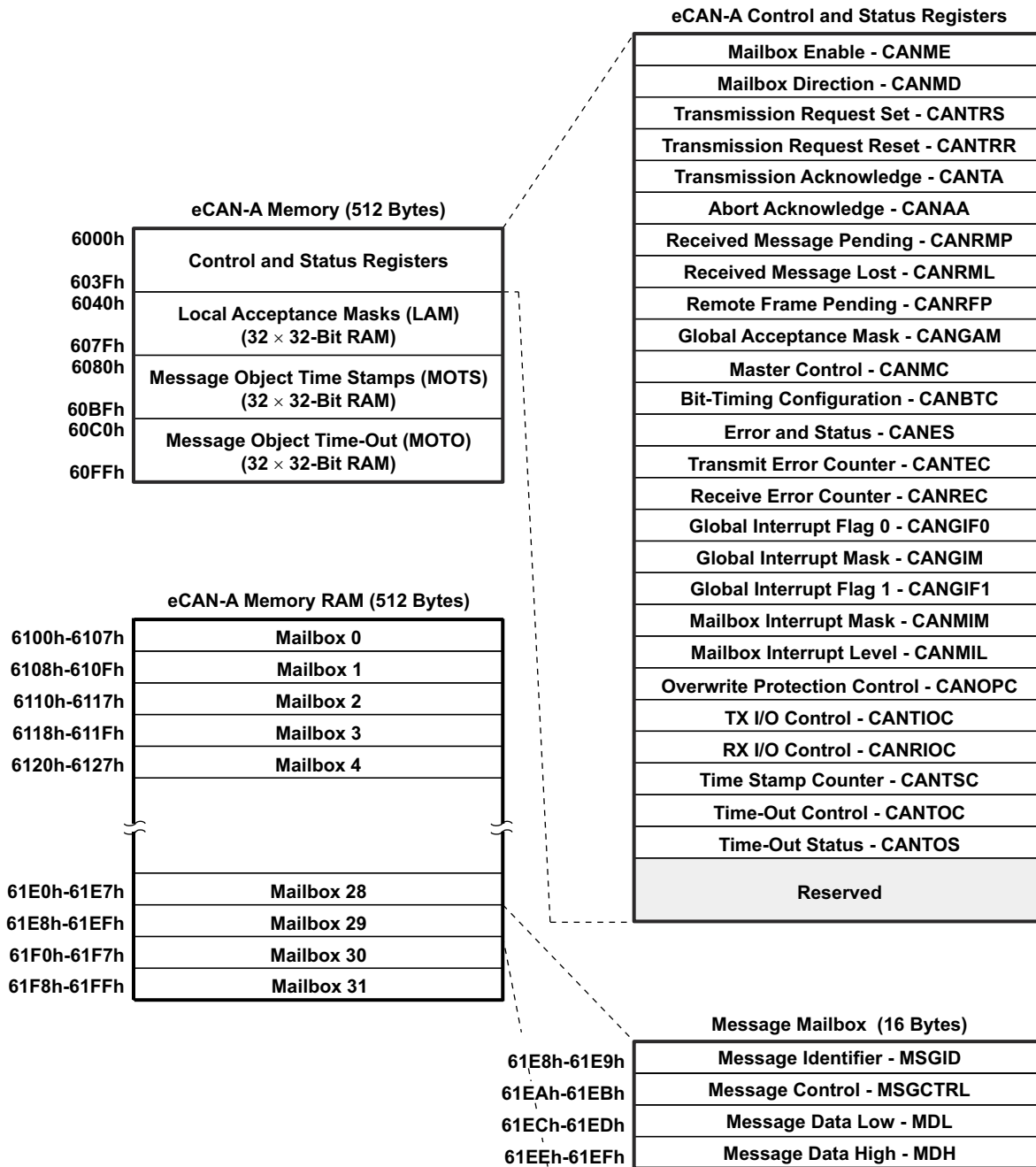


Figure 7-36. eCAN-A Memory Map

Note

If the eCAN module is not used in an application, the RAM available (LAM, MOTS, MOTO, and mailbox RAM) can be used as general-purpose RAM. The CAN module clock should be enabled for this.

The CAN registers listed in [Table 7-32](#) are used by the CPU to configure and control the CAN controller and the message objects. eCAN control registers only support 32-bit read/write operations. Mailbox RAM can be accessed as 16 bits or 32 bits. 32-bit accesses are aligned to an even boundary.

Table 7-32. CAN Register Map

| REGISTER NAME ⁽¹⁾ | eCAN-A ADDRESS | SIZE (x32) | DESCRIPTION |
|------------------------------|----------------|------------|---|
| CANME | 0x6000 | 1 | Mailbox enable |
| CANMD | 0x6002 | 1 | Mailbox direction |
| CANTRS | 0x6004 | 1 | Transmit request set |
| CANTRR | 0x6006 | 1 | Transmit request reset |
| CANTA | 0x6008 | 1 | Transmission acknowledge |
| CANAA | 0x600A | 1 | Abort acknowledge |
| CANRMP | 0x600C | 1 | Receive message pending |
| CANRML | 0x600E | 1 | Receive message lost |
| CANRFP | 0x6010 | 1 | Remote frame pending |
| CANGAM | 0x6012 | 1 | Global acceptance mask |
| CANMC | 0x6014 | 1 | Master control |
| CANBTC | 0x6016 | 1 | Bit-timing configuration |
| CANES | 0x6018 | 1 | Error and status |
| CANTEC | 0x601A | 1 | Transmit error counter |
| CANREC | 0x601C | 1 | Receive error counter |
| CANGIF0 | 0x601E | 1 | Global interrupt flag 0 |
| CANGIM | 0x6020 | 1 | Global interrupt mask |
| CANGIF1 | 0x6022 | 1 | Global interrupt flag 1 |
| CANMIM | 0x6024 | 1 | Mailbox interrupt mask |
| CANMIL | 0x6026 | 1 | Mailbox interrupt level |
| CANOPC | 0x6028 | 1 | Overwrite protection control |
| CANTIOC | 0x602A | 1 | TX I/O control |
| CANRIOC | 0x602C | 1 | RX I/O control |
| CANTSC | 0x602E | 1 | Time stamp counter (Reserved in SCC mode) |
| CANTOC | 0x6030 | 1 | Time-out control (Reserved in SCC mode) |
| CANTOS | 0x6032 | 1 | Time-out status (Reserved in SCC mode) |

(1) These registers are mapped to Peripheral Frame 1.

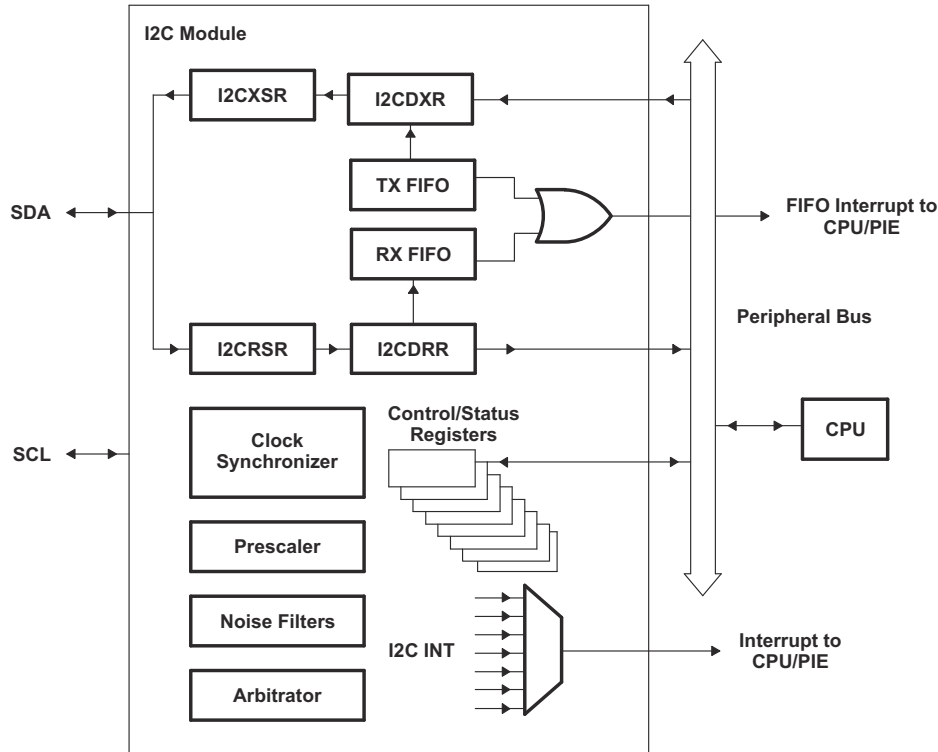
7.9.8 Inter-Integrated Circuit (I2C)

The device contains one I2C Serial Port. [Figure 7-37](#) shows how the I2C peripheral module interfaces within the device.

The I2C module has the following features:

- Compliance with the Philips Semiconductors I²C-bus specification (version 2.1):
 - Support for 1-bit to 8-bit format transfers
 - 7-bit and 10-bit addressing modes
 - General call
 - START byte mode
 - Support for multiple master-transmitters and slave-receivers
 - Support for multiple slave-transmitters and master-receivers
 - Combined master transmit/receive and receive/transmit mode
 - Data transfer rate of from 10 kbps up to 400 kbps (I2C Fast-mode rate)
- One 4-word receive FIFO and one 4-word transmit FIFO
- One interrupt that can be used by the CPU. This interrupt can be generated as a result of one of the following conditions:
 - Transmit-data ready
 - Receive-data ready
 - Register-access ready
 - No-acknowledgment received
 - Arbitration lost
 - Stop condition detected
 - Addressed as slave
- An additional interrupt that can be used by the CPU when in FIFO mode
- Module enable/disable capability
- Free data format mode

For more information on the I2C, see the Inter-Integrated Circuit Module (I2C) chapter in the [TMS320F2803x Real-Time Microcontrollers Technical Reference Manual](#).



- A. The I2C registers are accessed at the SYSCLKOUT rate. The internal timing and signal waveforms of the I2C port are also at the SYSCLKOUT rate.
- B. The clock enable bit (I2CAENCLK) in the PCLKCRO register turns off the clock to the I2C port for low-power operation. Upon reset, I2CAENCLK is clear, which indicates the peripheral internal clocks are off.

Figure 7-37. I2C Peripheral Module Interfaces

The registers in [Table 7-33](#) configure and control the I2C port operation.

Table 7-33. I2C-A Registers

| NAME | ADDRESS | EALLOW PROTECTED | DESCRIPTION |
|---------|---------|------------------|---|
| I2COAR | 0x7900 | No | I2C own address register |
| I2CIER | 0x7901 | No | I2C interrupt enable register |
| I2CSTR | 0x7902 | No | I2C status register |
| I2CCLKL | 0x7903 | No | I2C clock low-time divider register |
| I2CCLKH | 0x7904 | No | I2C clock high-time divider register |
| I2CCNT | 0x7905 | No | I2C data count register |
| I2CDRR | 0x7906 | No | I2C data receive register |
| I2CSAR | 0x7907 | No | I2C slave address register |
| I2CDXR | 0x7908 | No | I2C data transmit register |
| I2CMDR | 0x7909 | No | I2C mode register |
| I2CISRC | 0x790A | No | I2C interrupt source register |
| I2CPSC | 0x790C | No | I2C prescaler register |
| I2CFFTX | 0x7920 | No | I2C FIFO transmit register |
| I2CFFRX | 0x7921 | No | I2C FIFO receive register |
| I2CRSR | – | No | I2C receive shift register (not accessible to the CPU) |
| I2CXSR | – | No | I2C transmit shift register (not accessible to the CPU) |

7.9.8.1 I2C Electrical Data/Timing

Section 7.9.8.1.1 shows the I2C timing requirements. Section 7.9.8.1.2 shows the I2C switching characteristics.

7.9.8.1.1 I2C Timing Requirements

| | | MIN | MAX | UNIT |
|------------------------|--|-----------------|------|---------|
| $t_{h(SDA-SCL)START}$ | Hold time, START condition, SCL fall delay after SDA fall | 0.6 | | μs |
| $t_{su(SCL-SDA)START}$ | Setup time, Repeated START, SCL rise before SDA fall delay | 0.6 | | μs |
| $t_{h(SCL-DAT)}$ | Hold time, data after SCL fall | 0 | | μs |
| $t_{su(DAT-SCL)}$ | Setup time, data before SCL rise | 100 | | ns |
| $t_{r(SDA)}$ | Rise time, SDA | Input tolerance | 20 | 300 ns |
| $t_{r(SCL)}$ | Rise time, SCL | Input tolerance | 20 | 300 ns |
| $t_{f(SDA)}$ | Fall time, SDA | Input tolerance | 11.4 | 300 ns |
| $t_{f(SCL)}$ | Fall time, SCL | Input tolerance | 11.4 | 300 ns |
| $t_{su(SCL-SDA)STOP}$ | Setup time, STOP condition, SCL rise before SDA rise delay | 0.6 | | μs |

7.9.8.1.2 I2C Switching Characteristics

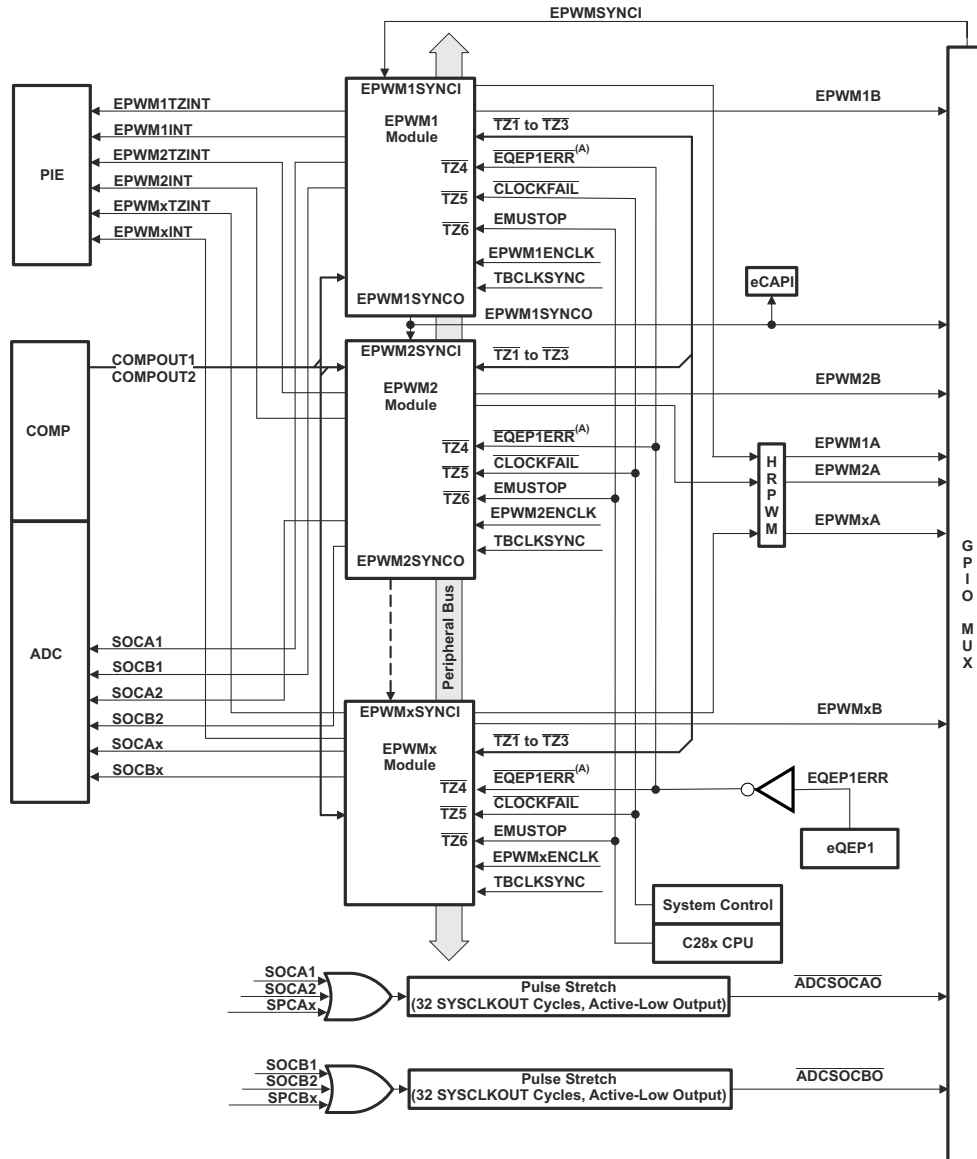
over recommended operating conditions (unless otherwise noted)

| PARAMETER | TEST CONDITIONS | MIN | MAX | UNIT |
|---|--|-----------------|----------------|---------|
| f_{SCL} SCL clock frequency | I2C clock module frequency is from 7 MHz to 12 MHz and I2C prescaler and clock divider registers are configured appropriately. | | 400 | kHz |
| V_{il} Low level input voltage | | | $0.3 V_{DDIO}$ | V |
| V_{ih} High level input voltage | | $0.7 V_{DDIO}$ | | V |
| V_{hys} Input hysteresis | | $0.05 V_{DDIO}$ | | V |
| V_{ol} Low level output voltage | 3-mA sink current | 0 | 0.4 | V |
| t_{LOW} Low period of SCL clock | I2C clock module frequency is from 7 MHz to 12 MHz and I2C prescaler and clock divider registers are configured appropriately. | 1.3 | | μs |
| t_{HIGH} High period of SCL clock | I2C clock module frequency is from 7 MHz to 12 MHz and I2C prescaler and clock divider registers are configured appropriately. | 0.6 | | μs |
| I_I Input current with an input voltage from $0.1 V_{DDIO}$ to $0.9 V_{DDIO} MAX$ | | -10 | 10 | μA |

7.9.9 Enhanced PWM Modules (ePWM1/2/3/4/5/6/7)

The devices contain up to seven enhanced PWM Modules (ePWM). Figure 7-38 shows a block diagram of multiple ePWM modules. Figure 7-39 shows the signal interconnections with the ePWM. For more details, see the Enhanced Pulse Width Modulator (ePWM) chapter in the *TMS320F2803x Real-Time Microcontrollers Technical Reference Manual*.

Table 7-34 and Table 7-35 show the complete ePWM register set per module.



Copyright © 2017, Texas Instruments Incorporated

A. This signal exists only on devices with an eQEP1 module.

Figure 7-38. ePWM

Table 7-34. ePWM1–ePWM4 Control and Status Registers

| NAME | ePWM1 | ePWM2 | ePWM3 | ePWM4 | SIZE (x16) / #SHADOW | DESCRIPTION |
|-----------|--------|--------|--------|--------|----------------------|--|
| TBCTL | 0x6800 | 0x6840 | 0x6880 | 0x68C0 | 1 / 0 | Time Base Control Register |
| TBSTS | 0x6801 | 0x6841 | 0x6881 | 0x68C1 | 1 / 0 | Time Base Status Register |
| TBPHSHR | 0x6802 | 0x6842 | 0x6882 | 0x68C2 | 1 / 0 | Time Base Phase HRPWM Register |
| TBPHS | 0x6803 | 0x6843 | 0x6883 | 0x68C3 | 1 / 0 | Time Base Phase Register |
| TBCTR | 0x6804 | 0x6844 | 0x6884 | 0x68C4 | 1 / 0 | Time Base Counter Register |
| TBPRD | 0x6805 | 0x6845 | 0x6885 | 0x68C5 | 1 / 1 | Time Base Period Register Set |
| TBPRDHR | 0x6806 | 0x6846 | 0x6886 | 0x68C6 | 1 / 1 | Time Base Period High Resolution Register ⁽¹⁾ |
| CMPCTL | 0x6807 | 0x6847 | 0x6887 | 0x68C7 | 1 / 0 | Counter Compare Control Register |
| CMPAHR | 0x6808 | 0x6848 | 0x6888 | 0x68C8 | 1 / 1 | Time Base Compare A HRPWM Register |
| CMPA | 0x6809 | 0x6849 | 0x6889 | 0x68C9 | 1 / 1 | Counter Compare A Register Set |
| CMPB | 0x680A | 0x684A | 0x688A | 0x68CA | 1 / 1 | Counter Compare B Register Set |
| AQCTLA | 0x680B | 0x684B | 0x688B | 0x68CB | 1 / 0 | Action Qualifier Control Register For Output A |
| AQCTLB | 0x680C | 0x684C | 0x688C | 0x68CC | 1 / 0 | Action Qualifier Control Register For Output B |
| AQSFRC | 0x680D | 0x684D | 0x688D | 0x68CD | 1 / 0 | Action Qualifier Software Force Register |
| AQCSFRC | 0x680E | 0x684E | 0x688E | 0x68CE | 1 / 1 | Action Qualifier Continuous S/W Force Register Set |
| DBCTL | 0x680F | 0x684F | 0x688F | 0x68CF | 1 / 1 | Dead-Band Generator Control Register |
| DBRED | 0x6810 | 0x6850 | 0x6890 | 0x68D0 | 1 / 0 | Dead-Band Generator Rising Edge Delay Count Register |
| DBFED | 0x6811 | 0x6851 | 0x6891 | 0x68D1 | 1 / 0 | Dead-Band Generator Falling Edge Delay Count Register |
| TZSEL | 0x6812 | 0x6852 | 0x6892 | 0x68D2 | 1 / 0 | Trip Zone Select Register ⁽¹⁾ |
| TZDCSEL | 0x6813 | 0x6853 | 0x6893 | 0x98D3 | 1 / 0 | Trip Zone Digital Compare Register |
| TZCTL | 0x6814 | 0x6854 | 0x6894 | 0x68D4 | 1 / 0 | Trip Zone Control Register ⁽¹⁾ |
| TZEINT | 0x6815 | 0x6855 | 0x6895 | 0x68D5 | 1 / 0 | Trip Zone Enable Interrupt Register ⁽¹⁾ |
| TZFLG | 0x6816 | 0x6856 | 0x6896 | 0x68D6 | 1 / 0 | Trip Zone Flag Register ⁽¹⁾ |
| TZCLR | 0x6817 | 0x6857 | 0x6897 | 0x68D7 | 1 / 0 | Trip Zone Clear Register ⁽¹⁾ |
| TZFRC | 0x6818 | 0x6858 | 0x6898 | 0x68D8 | 1 / 0 | Trip Zone Force Register ⁽¹⁾ |
| ETSEL | 0x6819 | 0x6859 | 0x6899 | 0x68D9 | 1 / 0 | Event Trigger Selection Register |
| ETPS | 0x681A | 0x685A | 0x689A | 0x68DA | 1 / 0 | Event Trigger Prescale Register |
| ETFLG | 0x681B | 0x685B | 0x689B | 0x68DB | 1 / 0 | Event Trigger Flag Register |
| ETCLR | 0x681C | 0x685C | 0x689C | 0x68DC | 1 / 0 | Event Trigger Clear Register |
| ETFRC | 0x681D | 0x685D | 0x689D | 0x68DD | 1 / 0 | Event Trigger Force Register |
| PCCTL | 0x681E | 0x685E | 0x689E | 0x68DE | 1 / 0 | PWM Chopper Control Register |
| HRCNFG | 0x6820 | 0x6860 | 0x68A0 | 0x68E0 | 1 / 0 | HRPWM Configuration Register ⁽¹⁾ |
| HRPWR | 0x6821 | - | - | - | 1 / 0 | HRPWM Power Register |
| HRMSTEP | 0x6826 | - | - | - | 1 / 0 | HRPWM MEP Step Register |
| HRPCTL | 0x6828 | 0x6868 | 0x68A8 | 0x68E8 | 1 / 0 | High resolution Period Control Register ⁽¹⁾ |
| TBPRDHRM | 0x682A | 0x686A | 0x68AA | 0x68EA | 1 / W ⁽²⁾ | Time Base Period HRPWM Register Mirror |
| TBPRDM | 0x682B | 0x686B | 0x68AB | 0x68EB | 1 / W ⁽²⁾ | Time Base Period Register Mirror |
| CMPAHRM | 0x682C | 0x686C | 0x68AC | 0x68EC | 1 / W ⁽²⁾ | Compare A HRPWM Register Mirror |
| CMPAM | 0x682D | 0x686D | 0x68AD | 0x68ED | 1 / W ⁽²⁾ | Compare A Register Mirror |
| DCTRIPSEL | 0x6830 | 0x6870 | 0x68B0 | 0x68F0 | 1 / 0 | Digital Compare Trip Select Register ⁽¹⁾ |
| DCACTL | 0x6831 | 0x6871 | 0x68B1 | 0x68F1 | 1 / 0 | Digital Compare A Control Register ⁽¹⁾ |
| DCBCTL | 0x6832 | 0x6872 | 0x68B2 | 0x68F2 | 1 / 0 | Digital Compare B Control Register ⁽¹⁾ |

Table 7-34. ePWM1–ePWM4 Control and Status Registers (continued)

| NAME | ePWM1 | ePWM2 | ePWM3 | ePWM4 | SIZE (x16) / #SHADOW | DESCRIPTION |
|--------------|--------|--------|--------|--------|----------------------|---|
| DCFCTL | 0x6833 | 0x6873 | 0x68B3 | 0x68F3 | 1 / 0 | Digital Compare Filter Control Register ⁽¹⁾ |
| DCCAPCT | 0x6834 | 0x6874 | 0x68B4 | 0x68F4 | 1 / 0 | Digital Compare Capture Control Register ⁽¹⁾ |
| DCFOFFSET | 0x6835 | 0x6875 | 0x68B5 | 0x68F5 | 1 / 1 | Digital Compare Filter Offset Register |
| DCFOFFSETCNT | 0x6836 | 0x6876 | 0x68B6 | 0x68F6 | 1 / 0 | Digital Compare Filter Offset Counter Register |
| DCFWINDOW | 0x6837 | 0x6877 | 0x68B7 | 0x68F7 | 1 / 0 | Digital Compare Filter Window Register |
| DCFWINDOWCNT | 0x6838 | 0x6878 | 0x68B8 | 0x68F8 | 1 / 0 | Digital Compare Filter Window Counter Register |
| DCCAP | 0x6839 | 0x6879 | 0x68B9 | 0x68F9 | 1 / 1 | Digital Compare Counter Capture Register |

- (1) Registers that are EALLOW protected.
(2) W = Write to shadow register

Table 7-35. ePWM5–ePWM7 Control and Status Registers

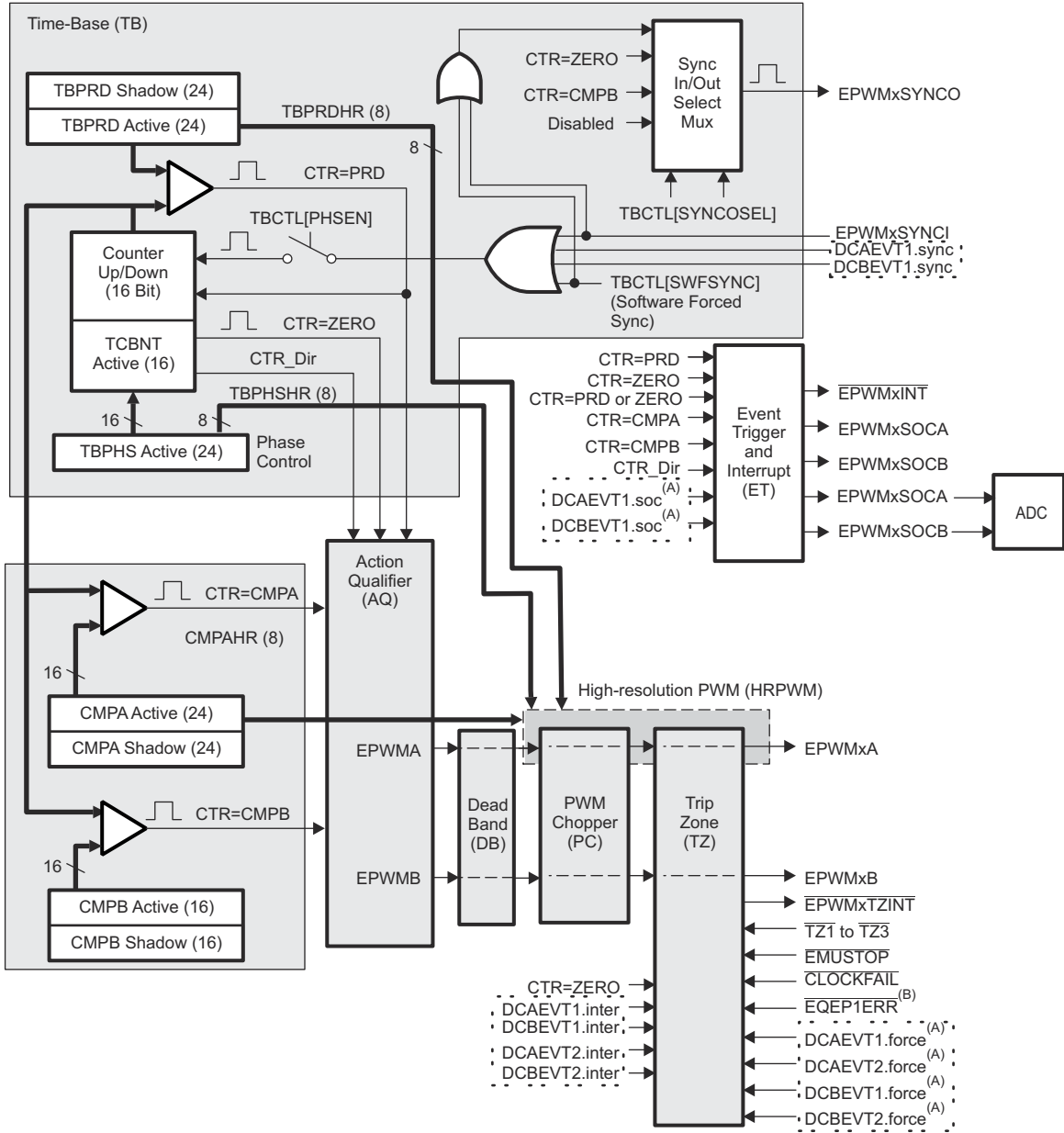
| NAME | ePWM5 | ePWM6 | ePWM7 | SIZE (x16) / #SHADOW | DESCRIPTION |
|---------|--------|--------|--------|----------------------|--|
| TBCTL | 0x6900 | 0x6940 | 0x6980 | 1 / 0 | Time Base Control Register |
| TBSTS | 0x6901 | 0x6941 | 0x6981 | 1 / 0 | Time Base Status Register |
| TBPHSHR | 0x6902 | 0x6942 | 0x6982 | 1 / 0 | Time Base Phase HRPWM Register |
| TBPHS | 0x6903 | 0x6943 | 0x6983 | 1 / 0 | Time Base Phase Register |
| TBCTR | 0x6904 | 0x6944 | 0x6984 | 1 / 0 | Time Base Counter Register |
| TBPRD | 0x6905 | 0x6945 | 0x6985 | 1 / 1 | Time Base Period Register Set |
| TBPRDHR | 0x6906 | 0x6946 | 0x6986 | 1 / 1 | Time Base Period High Resolution Register ⁽¹⁾ |
| CMPCTL | 0x6907 | 0x6947 | 0x6987 | 1 / 0 | Counter Compare Control Register |
| CMPAHR | 0x6908 | 0x6948 | 0x6988 | 1 / 1 | Time Base Compare A HRPWM Register |
| CMPA | 0x6909 | 0x6949 | 0x6989 | 1 / 1 | Counter Compare A Register Set |
| CMPB | 0x690A | 0x694A | 0x698A | 1 / 1 | Counter Compare B Register Set |
| AQCTLA | 0x690B | 0x694B | 0x698B | 1 / 0 | Action Qualifier Control Register For Output A |
| AQCTLB | 0x690C | 0x694C | 0x698C | 1 / 0 | Action Qualifier Control Register For Output B |
| AQSFR | 0x690D | 0x694D | 0x698D | 1 / 0 | Action Qualifier Software Force Register |
| AQCSFR | 0x690E | 0x694E | 0x698E | 1 / 1 | Action Qualifier Continuous S/W Force Register Set |
| DBCTL | 0x690F | 0x694F | 0x698F | 1 / 1 | Dead-Band Generator Control Register |
| DBRED | 0x6910 | 0x6950 | 0x6990 | 1 / 0 | Dead-Band Generator Rising Edge Delay Count Register |
| DBFED | 0x6911 | 0x6951 | 0x6991 | 1 / 0 | Dead-Band Generator Falling Edge Delay Count Register |
| TZSEL | 0x6912 | 0x6952 | 0x6992 | 1 / 0 | Trip Zone Select Register ⁽¹⁾ |
| TZDCSEL | 0x6913 | 0x6953 | 0x6993 | 1 / 0 | Trip Zone Digital Compare Register |
| TZCTL | 0x6914 | 0x6954 | 0x6994 | 1 / 0 | Trip Zone Control Register ⁽¹⁾ |
| TZEINT | 0x6915 | 0x6955 | 0x6995 | 1 / 0 | Trip Zone Enable Interrupt Register ⁽¹⁾ |
| TZFLG | 0x6916 | 0x6956 | 0x6996 | 1 / 0 | Trip Zone Flag Register ⁽¹⁾ |
| TZCLR | 0x6917 | 0x6957 | 0x6997 | 1 / 0 | Trip Zone Clear Register ⁽¹⁾ |
| TZFRC | 0x6918 | 0x6958 | 0x6998 | 1 / 0 | Trip Zone Force Register ⁽¹⁾ |
| ETSEL | 0x6919 | 0x6959 | 0x6999 | 1 / 0 | Event Trigger Selection Register |
| ETPS | 0x691A | 0x695A | 0x699A | 1 / 0 | Event Trigger Prescale Register |
| ETFLG | 0x691B | 0x695B | 0x699B | 1 / 0 | Event Trigger Flag Register |
| ETCLR | 0x691C | 0x695C | 0x699C | 1 / 0 | Event Trigger Clear Register |
| ETFRC | 0x691D | 0x695D | 0x699D | 1 / 0 | Event Trigger Force Register |

Table 7-35. ePWM5–ePWM7 Control and Status Registers (continued)

| NAME | ePWM5 | ePWM6 | ePWM7 | SIZE (x16) / #SHADOW | DESCRIPTION |
|--------------|--------|--------|--------|----------------------|---|
| PCCTL | 0x691E | 0x695E | 0x699E | 1 / 0 | PWM Chopper Control Register |
| HRCNFG | 0x6920 | 0x6960 | 0x69A0 | 1 / 0 | HRPWM Configuration Register ⁽¹⁾ |
| HRPWR | - | - | - | 1 / 0 | HRPWM Power Register |
| HRMSTEP | - | - | - | 1 / 0 | HRPWM MEP Step Register |
| HRPCTL | 0x6928 | 0x6968 | 0x69A8 | 1 / 0 | High resolution Period Control Register ⁽¹⁾ |
| TBPRDHRM | 0x692A | 0x696A | 0x69AA | 1 / W ⁽²⁾ | Time Base Period HRPWM Register Mirror |
| TBPRDM | 0x692B | 0x696B | 0x69AB | 1 / W ⁽²⁾ | Time Base Period Register Mirror |
| CMPAHRM | 0x692C | 0x696C | 0x69AC | 1 / W ⁽²⁾ | Compare A HRPWM Register Mirror |
| CMPAM | 0x692D | 0x696D | 0x69AD | 1 / W ⁽²⁾ | Compare A Register Mirror |
| DCTRISEL | 0x6930 | 0x6970 | 0x69B0 | 1 / 0 | Digital Compare Trip Select Register ⁽¹⁾ |
| DCACTL | 0x6931 | 0x6971 | 0x69B1 | 1 / 0 | Digital Compare A Control Register ⁽¹⁾ |
| DCBCTL | 0x6932 | 0x6972 | 0x69B2 | 1 / 0 | Digital Compare B Control Register ⁽¹⁾ |
| DCFCTL | 0x6933 | 0x6973 | 0x69B3 | 1 / 0 | Digital Compare Filter Control Register ⁽¹⁾ |
| DCCAPCT | 0x6934 | 0x6974 | 0x69B4 | 1 / 0 | Digital Compare Capture Control Register ⁽¹⁾ |
| DCFOFFSET | 0x6935 | 0x6975 | 0x69B5 | 1 / 1 | Digital Compare Filter Offset Register |
| DCFOFFSETCNT | 0x6936 | 0x6976 | 0x69B6 | 1 / 0 | Digital Compare Filter Offset Counter Register |
| DCFWINDOW | 0x6937 | 0x6977 | 0x69B7 | 1 / 0 | Digital Compare Filter Window Register |
| DCFWINDOWCNT | 0x6938 | 0x6978 | 0x69B8 | 1 / 0 | Digital Compare Filter Window Counter Register |
| DCCAP | 0x6939 | 0x6979 | 0x69B9 | 1 / 1 | Digital Compare Counter Capture Register |

(1) Registers that are EALLOW protected.

(2) W = Write to shadow register



- A. These events are generated by the Type 1 ePWM digital compare (DC) submodule based on the levels of the COMPxOUT and TZ signals.
- B. This signal exists only on devices with an eQEP1 module.

Figure 7-39. ePWM Submodules Showing Critical Internal Signal Interconnections

7.9.9.1 ePWM Electrical Data/Timing

PWM refers to PWM outputs on ePWM1–7. Section 7.9.9.1.1 shows the PWM timing requirements and Section 7.9.9.1.2, switching characteristics.

7.9.9.1.1 ePWM Timing Requirements

| | | MIN | MAX | UNIT |
|-------------------|------------------------|-----------------------------|-----|--------|
| $t_{w(SYCN)}$ (1) | Sync input pulse width | | | |
| | Asynchronous | $2t_{c(SCO)}$ | | cycles |
| | Synchronous | $2t_{c(SCO)}$ | | cycles |
| | With input qualifier | $1t_{c(SCO)} + t_{w(IQSW)}$ | | cycles |

(1) For an explanation of the input qualifier parameters, see Section 7.9.15.1.2.1.

7.9.9.1.2 ePWM Switching Characteristics

over recommended operating conditions (unless otherwise noted)

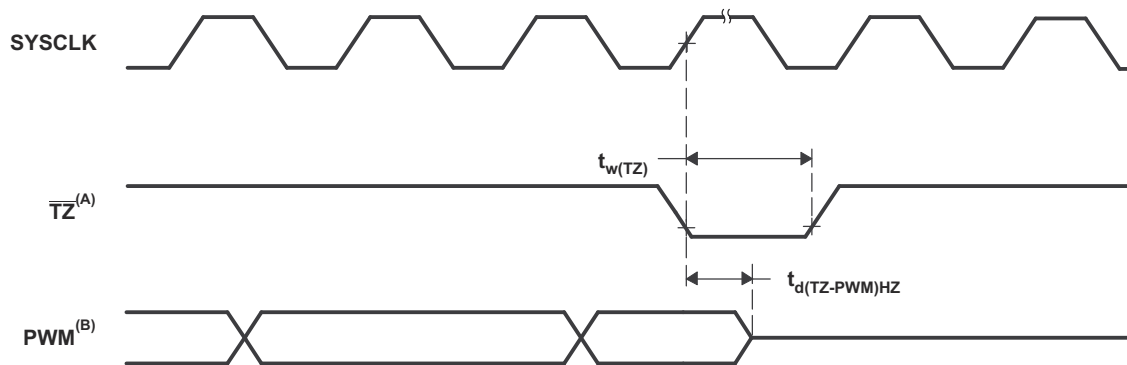
| PARAMETER | TEST CONDITIONS | MIN | MAX | UNIT |
|-------------------|--|---------------|-----|--------|
| $t_{w(PWM)}$ | Pulse duration, PWMx output high/low | 33.33 | | ns |
| $t_{w(SYNCOUT)}$ | Sync output pulse width | $8t_{c(SCO)}$ | | cycles |
| $t_{d(PWM)tza}$ | Delay time, trip input active to PWM forced high | | 25 | ns |
| | Delay time, trip input active to PWM forced low | no pin load | | |
| $t_{d(TZ-PWM)HZ}$ | Delay time, trip input active to PWM Hi-Z | | 20 | ns |

7.9.9.2 Trip-Zone Input Timing

7.9.9.2.1 Trip-Zone Input Timing Requirements

| | | MIN | MAX | UNIT |
|-----------------|---|-------------------------------|-----|--------|
| $t_{w(TZ)}$ (1) | Pulse duration, \overline{TZ} input low | | | |
| | Asynchronous | $2t_{c(TBCLK)}$ | | cycles |
| | Synchronous | $2t_{c(TBCLK)}$ | | cycles |
| | With input qualifier | $2t_{c(TBCLK)} + t_{w(IQSW)}$ | | cycles |

(1) For an explanation of the input qualifier parameters, see Section 7.9.15.1.2.1.



- A. \overline{TZ} - $\overline{TZ1}$, $\overline{TZ2}$, $\overline{TZ3}$, $\overline{TZ4}$, $\overline{TZ5}$, $\overline{TZ6}$
- B. PWM refers to all the PWM pins in the device. The state of the PWM pins after \overline{TZ} is taken high depends on the PWM recovery software.

Figure 7-40. PWM Hi-Z Characteristics

7.9.10 High-Resolution PWM (HRPWM)

This module combines multiple delay lines in a single module and a simplified calibration system by using a dedicated calibration delay line. For each ePWM module there is one HR delay line.

The HRPWM module offers PWM resolution (time granularity) that is significantly better than what can be achieved using conventionally derived digital PWM methods. The key points for the HRPWM module are:

- Significantly extends the time resolution capabilities of conventionally derived digital PWM
- This capability can be used in both single edge (duty cycle and phase-shift control) as well as dual edge control for frequency/period modulation.
- Finer time granularity control or edge positioning is controlled through extensions to the Compare A and Phase registers of the ePWM module.
- HRPWM capabilities, when available on a particular device, are offered only on the A signal path of an ePWM module (that is, on the EPWMxA output). EPWMxB output has conventional PWM capabilities.

Note

The minimum SYSCLKOUT frequency allowed for HRPWM is 60 MHz.

Note

When dual-edge high-resolution is enabled (high-resolution period mode), the PWMxB output is not available for use.

For more information on the HRPWM, see the High-Resolution Pulse Width Modulator (HRPWM) chapter in the [TMS320F2803x Real-Time Microcontrollers Technical Reference Manual](#).

7.9.10.1 HRPWM Electrical Data/Timing

Section 7.9.10.1.1 shows the high-resolution PWM switching characteristics.

7.9.10.1.1 High-Resolution PWM Characteristics

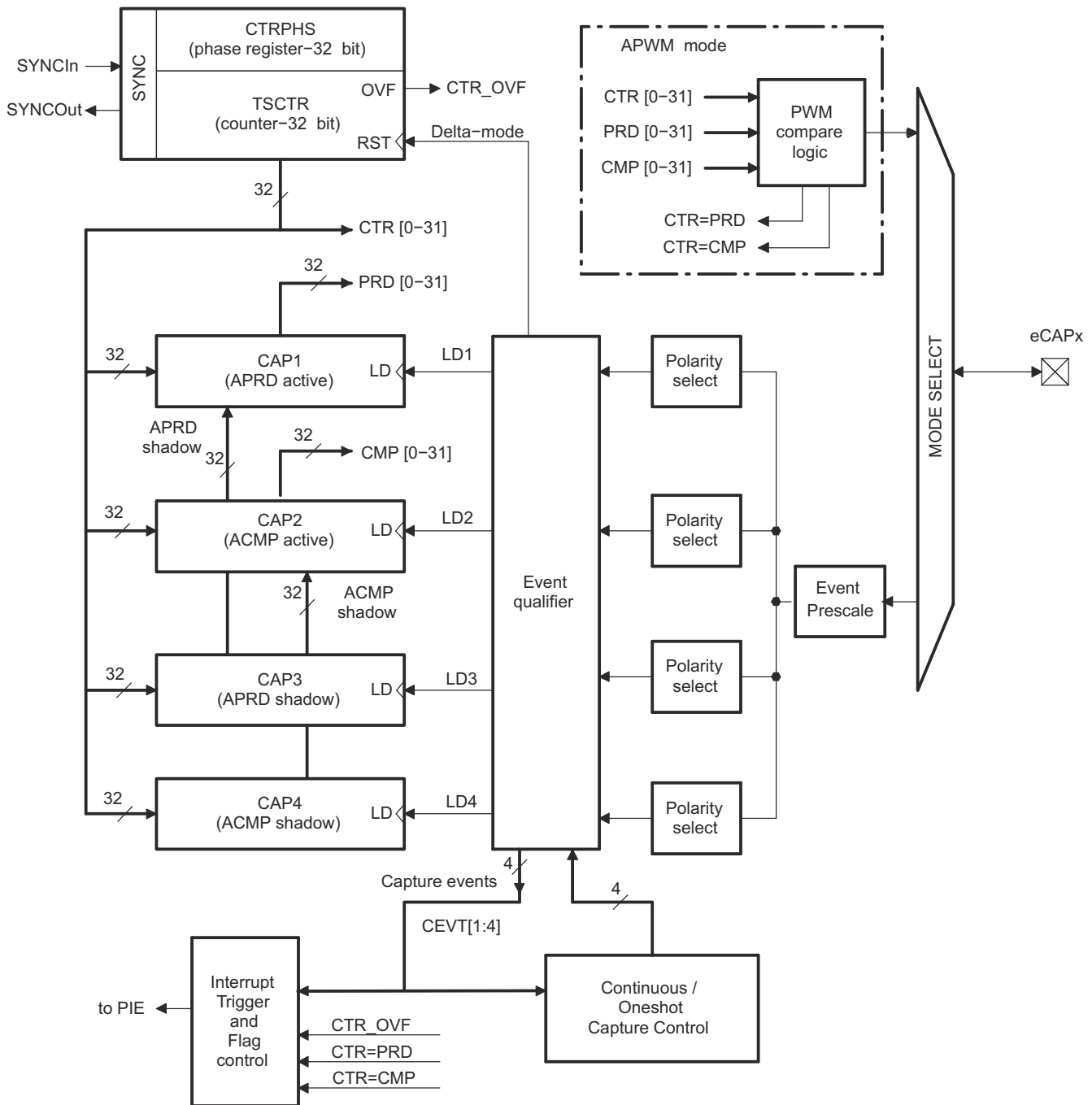
| PARAMETER ⁽¹⁾ | MIN | TYP | MAX | UNIT |
|---|-----|-----|-----|------|
| Micro Edge Positioning (MEP) step size ⁽²⁾ | | 150 | 310 | ps |

(1) The HRPWM operates at a minimum SYSCLKOUT frequency of 60 MHz.

(2) The MEP step size will be largest at high temperature and minimum voltage on V_{DD}. MEP step size will increase with higher temperature and lower voltage and decrease with lower temperature and higher voltage. Applications that use the HRPWM feature should use MEP Scale Factor Optimizer (SFO) estimation software functions. See the TI software libraries for details of using SFO function in end applications. SFO functions help to estimate the number of MEP steps per SYSCLKOUT period dynamically while the HRPWM is in operation.

7.9.11 Enhanced Capture Module (eCAP1)

The device contains an enhanced capture (eCAP) module. Figure 7-41 shows a functional block diagram of a module.



Copyright © 2017, Texas Instruments Incorporated

Figure 7-41. eCAP Functional Block Diagram

The eCAP module is clocked at the SYSCLKOUT rate.

The clock enable bits (ECAP1 ENCLK) in the PCLKCR1 register turn off the eCAP module individually (for low-power operation). Upon reset, ECAP1ENCLK is set to low, indicating that the peripheral clock is off.

Table 7-36. eCAP Control and Status Registers

| NAME | eCAP1 | SIZE (x16) | EALLOW PROTECTED | DESCRIPTION |
|----------|------------------|------------|------------------|-------------------------------------|
| TSCTR | 0x6A00 | 2 | | Time-Stamp Counter |
| CTRPHS | 0x6A02 | 2 | | Counter Phase Offset Value Register |
| CAP1 | 0x6A04 | 2 | | Capture 1 Register |
| CAP2 | 0x6A06 | 2 | | Capture 2 Register |
| CAP3 | 0x6A08 | 2 | | Capture 3 Register |
| CAP4 | 0x6A0A | 2 | | Capture 4 Register |
| Reserved | 0x6A0C to 0x6A12 | 8 | | Reserved |
| ECCTL1 | 0x6A14 | 1 | | Capture Control Register 1 |
| ECCTL2 | 0x6A15 | 1 | | Capture Control Register 2 |
| ECEINT | 0x6A16 | 1 | | Capture Interrupt Enable Register |
| ECFLG | 0x6A17 | 1 | | Capture Interrupt Flag Register |
| ECCLR | 0x6A18 | 1 | | Capture Interrupt Clear Register |
| ECFRC | 0x6A19 | 1 | | Capture Interrupt Force Register |
| Reserved | 0x6A1A to 0x6A1F | 6 | | Reserved |

For more information on the eCAP, see the Enhanced Capture (eCAP) Module chapter in the [TMS320F2803x Real-Time Microcontrollers Technical Reference Manual](#).

7.9.11.1 eCAP Electrical Data/Timing

[Section 7.9.11.1.1](#) shows the eCAP timing requirement and [Section 7.9.11.1.2](#) shows the eCAP switching characteristics.

7.9.11.1.1 Enhanced Capture (eCAP) Timing Requirement

| | | MIN | MAX | UNIT |
|-----------------------------|---------------------------|----------------------|-----------------------------|--------|
| $t_{w(CAP)}$ ⁽¹⁾ | Capture input pulse width | Asynchronous | $2t_{c(SCO)}$ | cycles |
| | | Synchronous | $2t_{c(SCO)}$ | cycles |
| | | With input qualifier | $1t_{c(SCO)} + t_{w(IQSW)}$ | cycles |

(1) For an explanation of the input qualifier parameters, see [Section 7.9.15.1.2.1](#).

7.9.11.1.2 eCAP Switching Characteristics

over recommended operating conditions (unless otherwise noted)

| PARAMETER | TEST CONDITIONS | MIN | MAX | UNIT |
|---------------|---------------------------------------|-----|-----|------|
| $t_{w(APWM)}$ | Pulse duration, APWMx output high/low | 20 | | ns |

7.9.12 High-Resolution Capture (HRCAP) Module

The High-Resolution Capture (HRCAP) module measures the difference between external pulses with a typical resolution of 300 ps.

Uses for the HRCAP include:

- Capacitive touch applications
- High-resolution period and duty cycle measurements of pulse train cycles
- Instantaneous speed measurements
- Instantaneous frequency measurements
- Voltage measurements across an isolation boundary
- Distance/sonar measurement and scanning

The HRCAP module features include:

- Pulse width capture in either non-high-resolution or high-resolution modes
- Difference (Delta) mode pulse width capture
- Typical high-resolution capture on the order of 300 ps resolution on each edge
- Interrupt on either falling or rising edge
- Continuous mode capture of pulse widths in 2-deep buffer
- Calibration logic for precision high-resolution capture
- All of the above resources are dedicated to a single input pin
- HRCAP calibration software library supplied by TI is used for both calibration and calculating fractional pulse widths

The HRCAP module includes one capture channel in addition to a high-resolution calibration block, which connects internally to the last available ePWMxA HRPWM channel when calibrating (that is, if there are eight ePWMs with HRPWM capability, it will be HRPWM8A).

Each HRCAP channel has the following independent key resources:

- Dedicated input capture pin
- 16-bit HRCAP clock which is either equal to the PLL output frequency (asynchronous to SYSCLK) or equal to the SYSCLK frequency (synchronous to SYSCLK)
- High-resolution pulse width capture in a 2-deep buffer

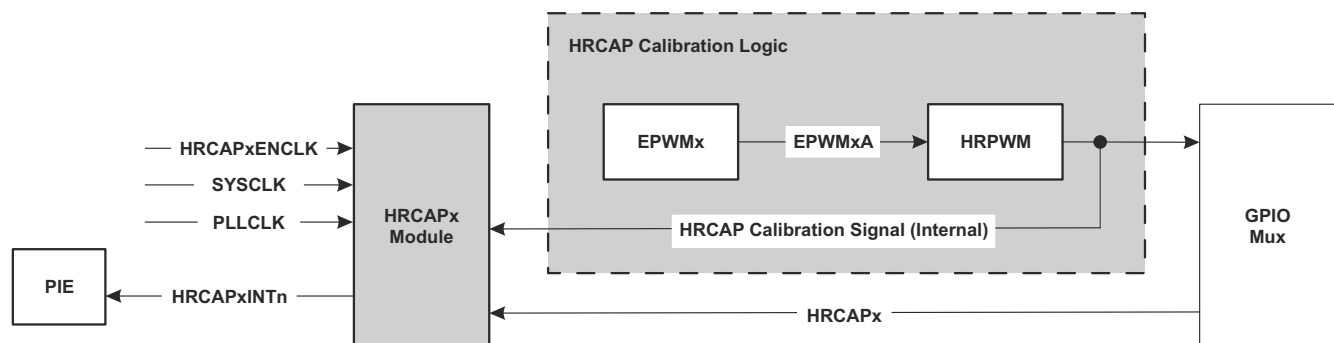


Figure 7-42. HRCAP Functional Block Diagram

Table 7-37. HRCAP Registers

| NAME | HRCAP1 | HRCAP2 | SIZE (x16) | DESCRIPTION |
|---------------|--------|--------|------------|--|
| HCCTL | 0x6AC0 | 0x6AE0 | 1 | HRCAP Control Register ⁽¹⁾ |
| HCIFR | 0x6AC1 | 0x6AE1 | 1 | HRCAP Interrupt Flag Register |
| HCICLR | 0x6AC2 | 0x6AE2 | 1 | HRCAP Interrupt Clear Register |
| HCIFRC | 0x6AC3 | 0x6AE3 | 1 | HRCAP Interrupt Force Register |
| HCCOUNTER | 0x6AC4 | 0x6AE4 | 1 | HRCAP 16-bit Counter Register |
| HCCAPCNTRISE0 | 0x6AD0 | 0x6AF0 | 1 | HRCAP Capture Counter on Rising Edge 0 Register |
| HCCAPCNTFALL0 | 0x6AD2 | 0x6AF2 | 1 | HRCAP Capture Counter on Falling Edge 0 Register |
| HCCAPCNTRISE1 | 0x6AD8 | 0x6AF8 | 1 | HRCAP Capture Counter on Rising Edge 1 Register |
| HCCAPCNTFALL1 | 0x6ADA | 0x6AFA | 1 | HRCAP Capture Counter on Falling Edge 1 Register |

(1) Registers that are EALLOW-protected.

For more information on the HRCAP, see the High Resolution Capture (HRCAP) chapter in the [TMS320F2803x Real-Time Microcontrollers Technical Reference Manual](#).

7.9.12.1 HRCAP Electrical Data/Timing

7.9.12.1.1 High-Resolution Capture (HRCAP) Timing Requirements

| | | MIN | NOM | MAX | UNIT |
|-------------------|---------------------------------|-----------------------------------|-----|--------|------|
| $t_{c(HCCAPCLK)}$ | Cycle time, HRCAP capture clock | 8.333 | | 10.204 | ns |
| $t_{w(HRCAP)}$ | Pulse width, HRCAP capture | $7t_{c(HCCAPCLK)}$ ⁽¹⁾ | | | ns |
| | HRCAP step size ⁽²⁾ | | 300 | | ps |

- (1) The listed minimum pulse width does not take into account the limitation that all relevant HCCAP registers must be read and RISE/FALL event flags cleared within the pulse width to ensure valid capture data.
- (2) HRCAP step size will increase with low voltage and high temperature and decrease with high voltage and low temperature. Applications that use the HRCAP in high-resolution mode should use the HRCAP calibration functions to dynamically calibrate for varying operating conditions.

7.9.13 Enhanced Quadrature Encoder Pulse (eQEP)

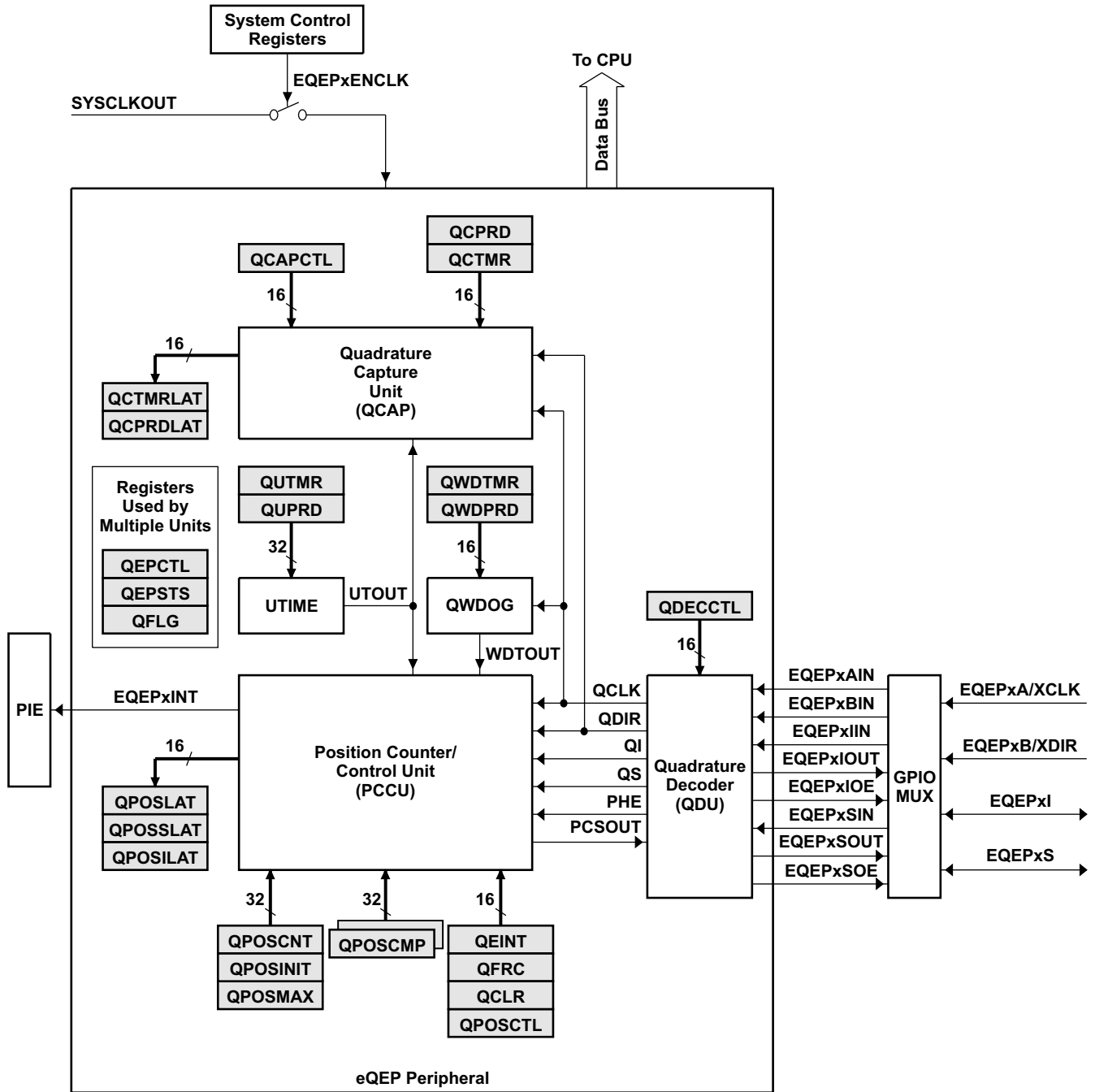
The device contains one enhanced quadrature encoder pulse (eQEP) module.

Table 7-38. eQEP Control and Status Registers

| NAME | eQEP1 ADDRESS | eQEP1 SIZE(x16)/ #SHADOW | REGISTER DESCRIPTION |
|----------|-----------------|--------------------------|--|
| QPOSCNT | 0x6B00 | 2/0 | eQEP Position Counter |
| QPOSINIT | 0x6B02 | 2/0 | eQEP Initialization Position Count |
| QPOSMAX | 0x6B04 | 2/0 | eQEP Maximum Position Count |
| QPOSCMP | 0x6B06 | 2/1 | eQEP Position-compare |
| QPOSILAT | 0x6B08 | 2/0 | eQEP Index Position Latch |
| QPOSSLAT | 0x6B0A | 2/0 | eQEP Strobe Position Latch |
| QPOSLAT | 0x6B0C | 2/0 | eQEP Position Latch |
| QUTMR | 0x6B0E | 2/0 | eQEP Unit Timer |
| QUPRD | 0x6B10 | 2/0 | eQEP Unit Period Register |
| QWDTMR | 0x6B12 | 1/0 | eQEP Watchdog Timer |
| QWDPRD | 0x6B13 | 1/0 | eQEP Watchdog Period Register |
| QDECCTL | 0x6B14 | 1/0 | eQEP Decoder Control Register |
| QEPCTL | 0x6B15 | 1/0 | eQEP Control Register |
| QCAPCTL | 0x6B16 | 1/0 | eQEP Capture Control Register |
| QPOSCTL | 0x6B17 | 1/0 | eQEP Position-compare Control Register |
| QEINT | 0x6B18 | 1/0 | eQEP Interrupt Enable Register |
| QFLG | 0x6B19 | 1/0 | eQEP Interrupt Flag Register |
| QCLR | 0x6B1A | 1/0 | eQEP Interrupt Clear Register |
| QFRC | 0x6B1B | 1/0 | eQEP Interrupt Force Register |
| QEPSTS | 0x6B1C | 1/0 | eQEP Status Register |
| QCTMR | 0x6B1D | 1/0 | eQEP Capture Timer |
| QCPRD | 0x6B1E | 1/0 | eQEP Capture Period Register |
| QCTMRLAT | 0x6B1F | 1/0 | eQEP Capture Timer Latch |
| QCPRDLAT | 0x6B20 | 1/0 | eQEP Capture Period Latch |
| Reserved | 0x6B21 – 0x6B3F | 31/0 | |

For more information on the eQEP, see the Enhanced QEP (eQEP) Module chapter in the [TMS320F2803x Real-Time Microcontrollers Technical Reference Manual](#).

Figure 7-43 shows the eQEP functional block diagram.



Copyright © 2017, Texas Instruments Incorporated

Figure 7-43. eQEP Functional Block Diagram

7.9.13.1 eQEP Electrical Data/Timing

Section 7.9.13.1.1 shows the eQEP timing requirement and Section 7.9.13.1.2 shows the eQEP switching characteristics.

7.9.13.1.1 Enhanced Quadrature Encoder Pulse (eQEP) Timing Requirements

| | | | MIN | MAX | UNIT |
|-----------------|---------------------------|--|-----|--------------------------------|--------|
| $t_{w(QEPP)}$ | QEP input period | Asynchronous ⁽¹⁾ /synchronous | | $2t_{c(SCO)}$ | cycles |
| | | With input qualifier ⁽²⁾ | | $2[1t_{c(SCO)} + t_{w(IQSW)}]$ | cycles |
| $t_{w(INDEXH)}$ | QEP Index Input High time | Asynchronous ⁽¹⁾ /synchronous | | $2t_{c(SCO)}$ | cycles |
| | | With input qualifier ⁽²⁾ | | $2t_{c(SCO)} + t_{w(IQSW)}$ | cycles |
| $t_{w(INDEXL)}$ | QEP Index Input Low time | Asynchronous ⁽¹⁾ /synchronous | | $2t_{c(SCO)}$ | cycles |
| | | With input qualifier ⁽²⁾ | | $2t_{c(SCO)} + t_{w(IQSW)}$ | cycles |
| $t_{w(STROBH)}$ | QEP Strobe High time | Asynchronous ⁽¹⁾ /synchronous | | $2t_{c(SCO)}$ | cycles |
| | | With input qualifier ⁽²⁾ | | $2t_{c(SCO)} + t_{w(IQSW)}$ | cycles |
| $t_{w(STROBL)}$ | QEP Strobe Input Low time | Asynchronous ⁽¹⁾ /synchronous | | $2t_{c(SCO)}$ | cycles |
| | | With input qualifier ⁽²⁾ | | $2t_{c(SCO)} + t_{w(IQSW)}$ | cycles |

(1) Refer to the [TMS320F2803x Real-Time MCUs Silicon Errata](#) for limitations in the asynchronous mode.

(2) For an explanation of the input qualifier parameters, see Section 7.9.15.1.2.1.

7.9.13.1.2 eQEP Switching Characteristics

over recommended operating conditions (unless otherwise noted)

| PARAMETER | | TEST CONDITIONS | MIN | MAX | UNIT |
|---------------------|--|-----------------|-----|---------------|--------|
| $t_{d(CNTR)xin}$ | Delay time, external clock to counter increment | | | $4t_{c(SCO)}$ | cycles |
| $t_{d(PCS-OUT)QEP}$ | Delay time, QEP input edge to position compare sync output | | | $6t_{c(SCO)}$ | cycles |

7.9.14 JTAG Port

On the 2803x device, the JTAG port is reduced to 5 pins ($\overline{\text{TRST}}$, TCK, TDI, TMS, TDO). TCK, TDI, TMS and TDO pins are also GPIO pins. The $\overline{\text{TRST}}$ signal selects either JTAG or GPIO operating mode for the pins in Figure 7-44. During emulation/debug, the GPIO function of these pins are not available. If the GPIO38/TCK/XCLKIN pin is used to provide an external clock, an alternate clock source should be used to clock the device during emulation/debug because this pin will be needed for the TCK function.

Note

In 2803x devices, the JTAG pins may also be used as GPIO pins. Care should be taken in the board design to ensure that the circuitry connected to these pins do not affect the emulation capabilities of the JTAG pin function. Any circuitry connected to these pins should not prevent the JTAG debug probe from driving (or being driven by) the JTAG pins for successful debug.

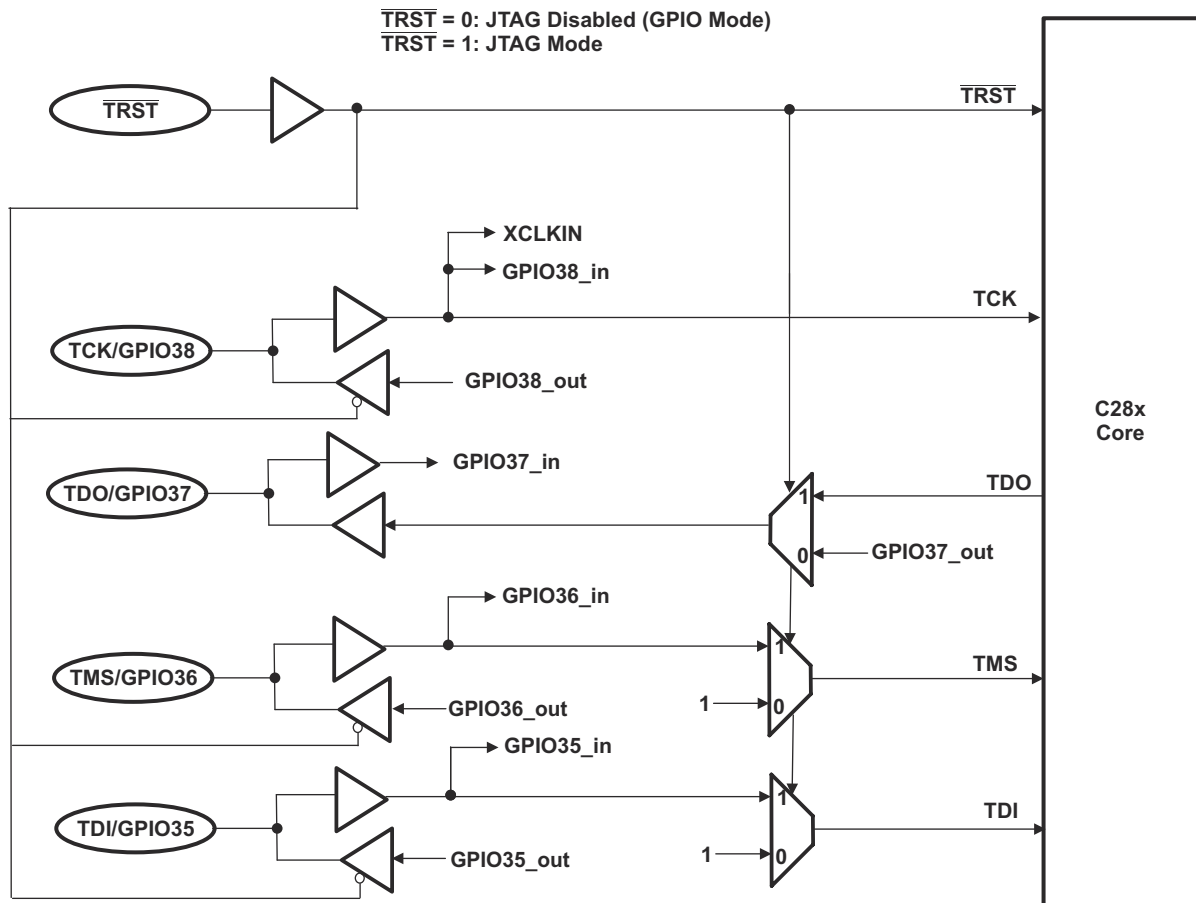


Figure 7-44. JTAG/GPIO Multiplexing

7.9.15 General-Purpose Input/Output (GPIO) MUX

The GPIO MUX can multiplex up to three independent peripheral signals on a single GPIO pin in addition to providing individual pin bit-banging I/O capability.

The device supports 45 GPIO pins. The GPIO control and data registers are mapped to Peripheral Frame 1 to enable 32-bit operations on the registers (along with 16-bit operations). [Table 7-39](#) shows the GPIO register mapping.

Table 7-39. GPIO Registers

| NAME | ADDRESS | SIZE (x16) | DESCRIPTION |
|---|---------|------------|---|
| GPIO CONTROL REGISTERS (EALLOW PROTECTED) | | | |
| GPACTRL | 0x6F80 | 2 | GPIO A Control Register (GPIO0 to 31) |
| GPAQSEL1 | 0x6F82 | 2 | GPIO A Qualifier Select 1 Register (GPIO0 to 15) |
| GPAQSEL2 | 0x6F84 | 2 | GPIO A Qualifier Select 2 Register (GPIO16 to 31) |
| GPAMUX1 | 0x6F86 | 2 | GPIO A MUX 1 Register (GPIO0 to 15) |
| GPAMUX2 | 0x6F88 | 2 | GPIO A MUX 2 Register (GPIO16 to 31) |
| GPADIR | 0x6F8A | 2 | GPIO A Direction Register (GPIO0 to 31) |
| GPAPUD | 0x6F8C | 2 | GPIO A Pullup Disable Register (GPIO0 to 31) |
| GPBCTRL | 0x6F90 | 2 | GPIO B Control Register (GPIO32 to 44) |
| GPBQSEL1 | 0x6F92 | 2 | GPIO B Qualifier Select 1 Register (GPIO32 to 44) |
| GPBMUX1 | 0x6F96 | 2 | GPIO B MUX 1 Register (GPIO32 to 44) |
| GPBDIR | 0x6F9A | 2 | GPIO B Direction Register (GPIO32 to 44) |
| GPBPUD | 0x6F9C | 2 | GPIO B Pullup Disable Register (GPIO32 to 44) |
| AIOMUX1 | 0x6FB6 | 2 | Analog, I/O mux 1 register (AIO0 to AIO15) |
| AIODIR | 0x6FBA | 2 | Analog, I/O Direction Register (AIO0 to AIO15) |
| GPIO DATA REGISTERS (NOT EALLOW PROTECTED) | | | |
| GPADAT | 0x6FC0 | 2 | GPIO A Data Register (GPIO0 to 31) |
| GPASET | 0x6FC2 | 2 | GPIO A Data Set Register (GPIO0 to 31) |
| GPACLEAR | 0x6FC4 | 2 | GPIO A Data Clear Register (GPIO0 to 31) |
| GPATOGGLE | 0x6FC6 | 2 | GPIO A Data Toggle Register (GPIO0 to 31) |
| GPBDAT | 0x6FC8 | 2 | GPIO B Data Register (GPIO32 to 44) |
| GPBSET | 0x6FCA | 2 | GPIO B Data Set Register (GPIO32 to 44) |
| GPBCLEAR | 0x6FCC | 2 | GPIO B Data Clear Register (GPIO32 to 44) |
| GPBTOGGLE | 0x6FCE | 2 | GPIO B Data Toggle Register (GPIO32 to 44) |
| AIODAT | 0x6FD8 | 2 | Analog I/O Data Register (AIO0 to AIO15) |
| AIOSET | 0x6FDA | 2 | Analog I/O Data Set Register (AIO0 to AIO15) |
| AIOCLEAR | 0x6FDC | 2 | Analog I/O Data Clear Register (AIO0 to AIO15) |
| AIOTOGGLE | 0x6FDE | 2 | Analog I/O Data Toggle Register (AIO0 to AIO15) |
| GPIO INTERRUPT AND LOW-POWER MODES SELECT REGISTERS (EALLOW PROTECTED) | | | |
| GPIOXINT1SEL | 0x6FE0 | 1 | XINT1 GPIO Input Select Register (GPIO0 to 31) |
| GPIOXINT2SEL | 0x6FE1 | 1 | XINT2 GPIO Input Select Register (GPIO0 to 31) |
| GPIOXINT3SEL | 0x6FE2 | 1 | XINT3 GPIO Input Select Register (GPIO0 to 31) |
| GPIO_LPMSEL | 0x6FE8 | 2 | LPM GPIO Select Register (GPIO0 to 31) |

Note

There is a two-SYSCLKOUT cycle delay from when the write to the GPxMUXn/AIOMUXn and GPxQSELn registers occurs to when the action is valid.

Table 7-40. GPIOA MUX

| | DEFAULT AT RESET PRIMARY I/O FUNCTION | PERIPHERAL SELECTION 1 ⁽¹⁾ (2) | PERIPHERAL SELECTION 2 ⁽¹⁾ (2) | PERIPHERAL SELECTION 3 ⁽¹⁾ (2) |
|----------------------------------|---|--|--|--|
| GPAMUX1 REGISTER BITS | (GPAMUX1 BITS = 00) | (GPAMUX1 BITS = 01) | (GPAMUX1 BITS = 10) | (GPAMUX1 BITS = 11) |
| 1-0 | GPIO0 | EPWM1A (O) | Reserved | Reserved |
| 3-2 | GPIO1 | EPWM1B (O) | Reserved | COMP1OUT (O) |
| 5-4 | GPIO2 | EPWM2A (O) | Reserved | Reserved |
| 7-6 | GPIO3 | EPWM2B (O) | SPISOMIA (I/O) | COMP2OUT (O) |
| 9-8 | GPIO4 | EPWM3A (O) | Reserved | Reserved |
| 11-10 | GPIO5 | EPWM3B (O) | SPISIMOA (I/O) | ECAP1 (I/O) |
| 13-12 | GPIO6 | EPWM4A (O) | EPWMSYNCl (I) | EPWMSYNCO (O) |
| 15-14 | GPIO7 | EPWM4B (O) | SCIRXDA (I) | Reserved |
| 17-16 | GPIO8 | EPWM5A (O) | Reserved | ADCSOCAO (O) |
| 19-18 | GPIO9 | EPWM5B (O) | LINTXA (O) | HRCAP1 (I) |
| 21-20 | GPIO10 | EPWM6A (O) | Reserved | ADCSOCBO (O) |
| 23-22 | GPIO11 | EPWM6B (O) | LINRXA (I) | HRCAP2 (I) |
| 25-24 | GPIO12 | TZ1 (I) | SCITXDA (O) | SPISIMOB (I/O) |
| 27-26 | GPIO13 ⁽³⁾ | TZ2 (I) | Reserved | SPISOMIB (I/O) |
| 29-28 | GPIO14 ⁽³⁾ | TZ3 (I) | LINTXA (O) | SPICKLB (I/O) |
| 31-30 | GPIO15 ⁽³⁾ | TZ1 (I) | LINRXA (I) | SPISTEB (I/O) |
| GPAMUX2 REGISTER BITS | (GPAMUX2 BITS = 00) | (GPAMUX2 BITS = 01) | (GPAMUX2 BITS = 10) | (GPAMUX2 BITS = 11) |
| 1-0 | GPIO16 | SPISIMOA (I/O) | Reserved | TZ2 (I) |
| 3-2 | GPIO17 | SPISOMIA (I/O) | Reserved | TZ3 (I) |
| 5-4 | GPIO18 | SPICKLA (I/O) | LINTXA (O) | XCLKOUT (O) |
| 7-6 | GPIO19/XCLKIN | SPISTEA (I/O) | LINRXA (I) | ECAP1 (I/O) |
| 9-8 | GPIO20 | EQEP1A (I) | Reserved | COMP1OUT (O) |
| 11-10 | GPIO21 | EQEP1B (I) | Reserved | COMP2OUT (O) |
| 13-12 | GPIO22 | EQEP1S (I/O) | Reserved | LINTXA (O) |
| 15-14 | GPIO23 | EQEP1I (I/O) | Reserved | LINRXA (I) |
| 17-16 | GPIO24 | ECAP1 (I/O) | Reserved | SPISIMOB (I/O) |
| 19-18 | GPIO25 ⁽³⁾ | Reserved | Reserved | SPISOMIB (I/O) |
| 21-20 | GPIO26 ⁽³⁾ | HRCAP1 (I) | Reserved | SPICKLB (I/O) |
| 23-22 | GPIO27 ⁽³⁾ | HRCAP2 (I) | Reserved | SPISTEB (I/O) |
| 25-24 | GPIO28 | SCIRXDA (I) | SDAA (I/OD) | TZ2 (I) |
| 27-26 | GPIO29 | SCITXDA (O) | SCLA (I/OD) | TZ3 (I) |
| 29-28 | GPIO30 | CANRXA (I) | Reserved | Reserved |
| 31-30 | GPIO31 | CANTXA (O) | Reserved | Reserved |

- (1) The word reserved means that there is no peripheral assigned to this GPxMUX1/2 register setting. Should it be selected, the state of the pin will be undefined and the pin may be driven. This selection is a reserved configuration for future expansion.
- (2) I = Input, O = Output, OD = Open Drain
- (3) These pins are not available in the 64-pin package.

Table 7-41. GPIOB MUX

| | DEFAULT AT RESET PRIMARY I/O FUNCTION | PERIPHERAL SELECTION 1 ⁽¹⁾ | PERIPHERAL SELECTION 2 ⁽¹⁾ | PERIPHERAL SELECTION 3 ⁽¹⁾ |
|--------------------------|--|--|--|--|
| GPBMUX1 REGISTER BITS | (GPBMUX1 BITS = 00) | (GPBMUX1 BITS = 01) | (GPBMUX1 BITS = 10) | (GPBMUX1 BITS = 11) |
| 1-0 | GPIO32 | SDAA (I/OD) | EPWMSYNCl (I) | ADCSOCAO (O) |
| 3-2 | GPIO33 | SCLA (I/OD) | EPWMSYNCO (O) | ADCSOCBO (O) |
| 5-4 | GPIO34 | COMP2OUT (O) | Reserved | COMP3OUT (O) |
| 7-6 | GPIO35 (TDI) | Reserved | Reserved | Reserved |
| 9-8 | GPIO36 (TMS) | Reserved | Reserved | Reserved |
| 11-10 | GPIO37 (TDO) | Reserved | Reserved | Reserved |
| 13-12 | GPIO38/XCLKIN (TCK) | Reserved | Reserved | Reserved |
| 15-14 | GPIO39 ⁽²⁾ | Reserved | Reserved | Reserved |
| 17-16 | GPIO40 ⁽²⁾ | EPWM7A (O) | Reserved | Reserved |
| 19-18 | GPIO41 ⁽²⁾ | EPWM7B (O) | Reserved | Reserved |
| 21-20 | GPIO42 ⁽²⁾ | Reserved | Reserved | COMP1OUT (O) |
| 23-22 | GPIO43 ⁽²⁾ | Reserved | Reserved | COMP2OUT (O) |
| 25-24 | GPIO44 ⁽²⁾ | Reserved | Reserved | Reserved |
| 27-26 | Reserved | Reserved | Reserved | Reserved |
| 29-28 | Reserved | Reserved | Reserved | Reserved |
| 31-30 | Reserved | Reserved | Reserved | Reserved |

- (1) I = Input, O = Output, OD = Open Drain
(2) These pins are not available in the 64-pin package.

Table 7-42. Analog MUX for 80-Pin PN Package

| | | DEFAULT AT RESET |
|-----------------------|--|---|
| | AIOx AND PERIPHERAL SELECTION 1 ⁽¹⁾ | PERIPHERAL SELECTION 2 AND PERIPHERAL SELECTION 3 ⁽¹⁾ |
| AIOMUX1 REGISTER BITS | AIOMUX1 BITS = 0,x | AIOMUX1 BITS = 1,x |
| 1-0 | ADCINA0 (I) | ADCINA0 (I) |
| 3-2 | ADCINA1 (I) | ADCINA1 (I) |
| 5-4 | AIO2 (I/O) | ADCINA2 (I), COMP1A (I) |
| 7-6 | ADCINA3 (I) | ADCINA3 (I) |
| 9-8 | AIO4 (I/O) | ADCINA4 (I), COMP2A (I) |
| 11-10 | ADCINA5 (I) | ADCINA5 (I) |
| 13-12 | AIO6 (I/O) | ADCINA6 (I), COMP3A (I) |
| 15-14 | ADCINA7 (I) | ADCINA7 (I) |
| 17-16 | ADCINB0 (I) | ADCINB0 (I) |
| 19-18 | ADCINB1 (I) | ADCINB1 (I) |
| 21-20 | AIO10 (I/O) | ADCINB2 (I), COMP1B (I) |
| 23-22 | ADCINB3 (I) | ADCINB3 (I) |
| 25-24 | AIO12 (I/O) | ADCINB4 (I), COMP2B (I) |
| 27-26 | ADCINB5 (I) | ADCINB5 (I) |
| 29-28 | AIO14 (I/O) | ADCINB6 (I), COMP3B (I) |
| 31-30 | ADCINB7 (I) | ADCINB7 (I) |

- (1) I = Input, O = Output

Table 7-43. Analog MUX for 56-Pin RSH and 64-Pin PAG Packages

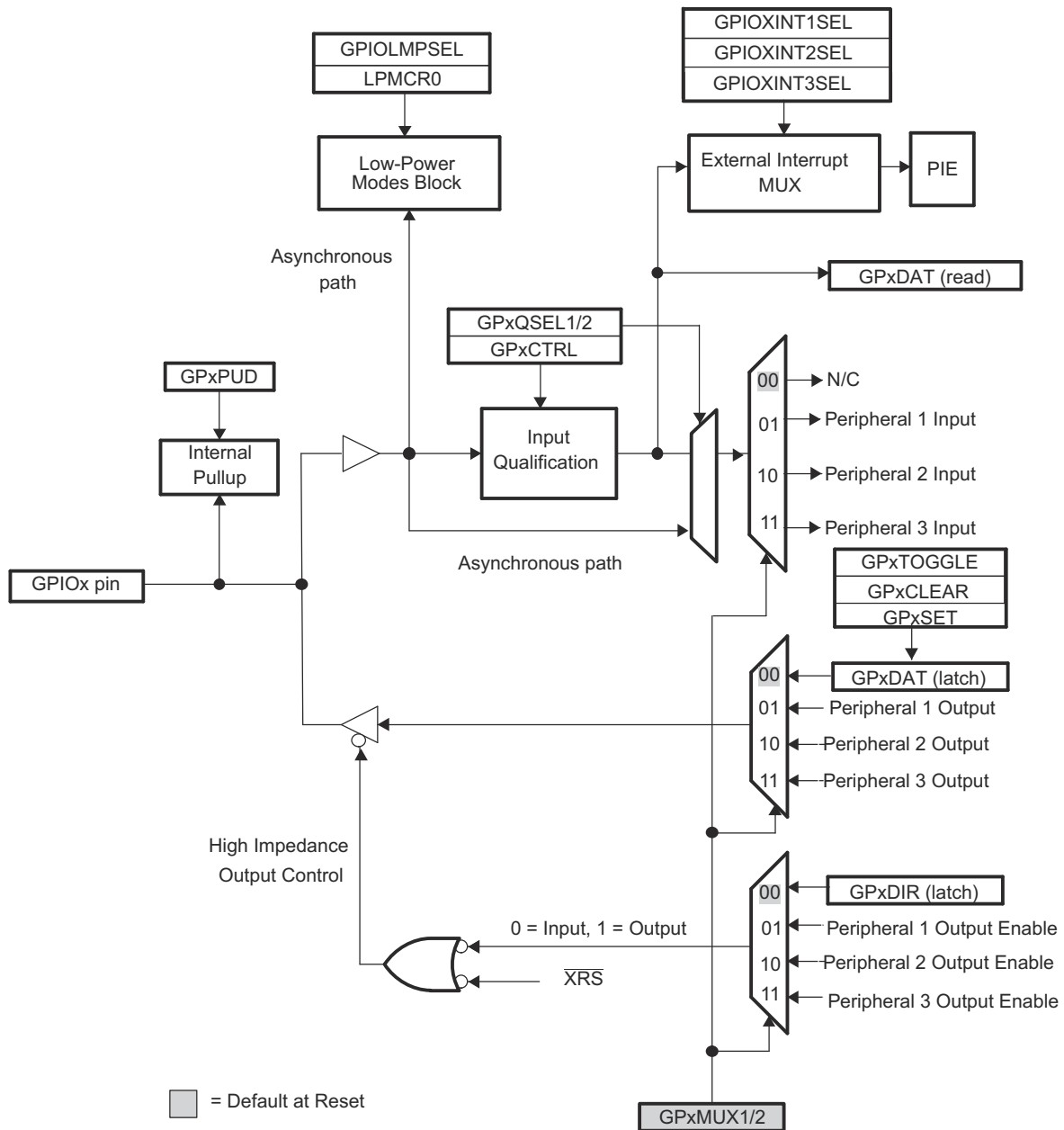
| | DEFAULT AT RESET | |
|-----------------------|--|--|
| | AIOx AND PERIPHERAL SELECTION 1 ⁽¹⁾ | PERIPHERAL SELECTION 2 AND PERIPHERAL SELECTION 3 ⁽¹⁾ |
| AIOMUX1 REGISTER BITS | AIOMUX1 BITS = 0,x | AIOMUX1 BITS = 1,x |
| 1-0 | ADCINA0 (I), V _{REFHI} (I) | ADCINA0 (I), V _{REFHI} (I) |
| 3-2 | ADCINA1 (I) | ADCINA1 (I) |
| 5-4 | AIO2 (I/O) | ADCINA2 (I), COMP1A (I) |
| 7-6 | ADCINA3 (I) | ADCINA3 (I) |
| 9-8 | AIO4 (I/O) | ADCINA4 (I), COMP2A (I) |
| 11-10 | – | – |
| 13-12 | AIO6 (I/O) | ADCINA6 (I), COMP3A (I) |
| 15-14 | ADCINA7 (I) | ADCINA7 (I) |
| 17-16 | ADCINB0 (I) | ADCINB0 (I) |
| 19-18 | ADCINB1 (I) | ADCINB1 (I) |
| 21-20 | AIO10 (I/O) | ADCINB2 (I), COMP1B (I) |
| 23-22 | ADCINB3 (I) | ADCINB3 (I) |
| 25-24 | AIO12 (I/O) | ADCINB4 (I), COMP2B (I) |
| 27-26 | – | – |
| 29-28 | AIO14 (I/O) | ADCINB6 (I), COMP3B (I) |
| 31-30 | ADCINB7 (I) | ADCINB7 (I) |

(1) I = Input, O = Output

The user can select the type of input qualification for each GPIO pin through the GPxQSEL1/2 registers from four choices:

- Synchronization To SYSCLKOUT Only (GPxQSEL1/2 = 0, 0): This is the default mode of all GPIO pins at reset and it simply synchronizes the input signal to the system clock (SYSCLKOUT).
- Qualification Using Sampling Window (GPxQSEL1/2 = 0, 1 and 1, 0): In this mode the input signal, after synchronization to the system clock (SYSCLKOUT), is qualified by a specified number of cycles before the input is allowed to change.
- The sampling period is specified by the QUALPRD bits in the GPxCTRL register and is configurable in groups of 8 signals. It specifies a multiple of SYSCLKOUT cycles for sampling the input signal. The sampling window is either 3-samples or 6-samples wide and the output is only changed when ALL samples are the same (all 0s or all 1s) as shown in [Figure 7-47](#) (for 6 sample mode).
- No Synchronization (GPxQSEL1/2 = 1, 1): This mode is used for peripherals where synchronization is not required (synchronization is performed within the peripheral).

Due to the multilevel multiplexing that is required on the device, there may be cases where a peripheral input signal can be mapped to more than one GPIO pin. Also, when an input signal is not selected, the input signal will default to either a 0 or 1 state, depending on the peripheral.



- A. x stands for the port, either A or B. For example, GPxDIR refers to either the GPADIR and GPBDIR register depending on the particular GPIO pin selected.
- B. GPxDAT latch/read are accessed at the same memory location.
- C. This is a generic GPIO MUX block diagram. Not all options may be applicable for all GPIO pins. For pin-specific variations, see the System Control chapter in the [TMS320F2803x Real-Time Microcontrollers Technical Reference Manual](#).

Figure 7-45. GPIO Multiplexing

7.9.15.1 GPIO Electrical Data/Timing

7.9.15.1.1 GPIO - Output Timing

7.9.15.1.1.1 General-Purpose Output Switching Characteristics

over recommended operating conditions (unless otherwise noted)

| PARAMETER | | | MIN | MAX | UNIT |
|--------------|---------------------------------------|-----------|-----|-------------------|------|
| $t_{r(GPO)}$ | Rise time, GPIO switching low to high | All GPIOs | | 13 ⁽¹⁾ | ns |
| $t_{f(GPO)}$ | Fall time, GPIO switching high to low | All GPIOs | | 13 ⁽¹⁾ | ns |
| t_{GPO} | Toggle frequency | | | 15 | MHz |

- (1) Rise time and fall time vary with electrical loading on I/O pins. Values given in Section 7.9.15.1.1 are applicable for a 40-pF load on I/O pins.

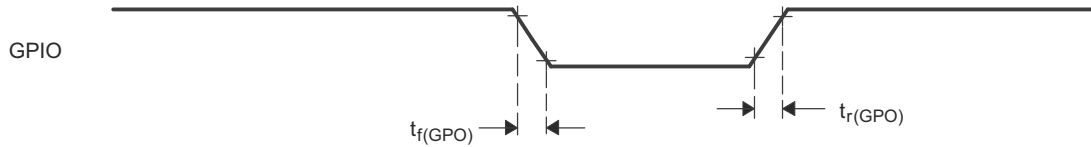


Figure 7-46. General-Purpose Output Timing

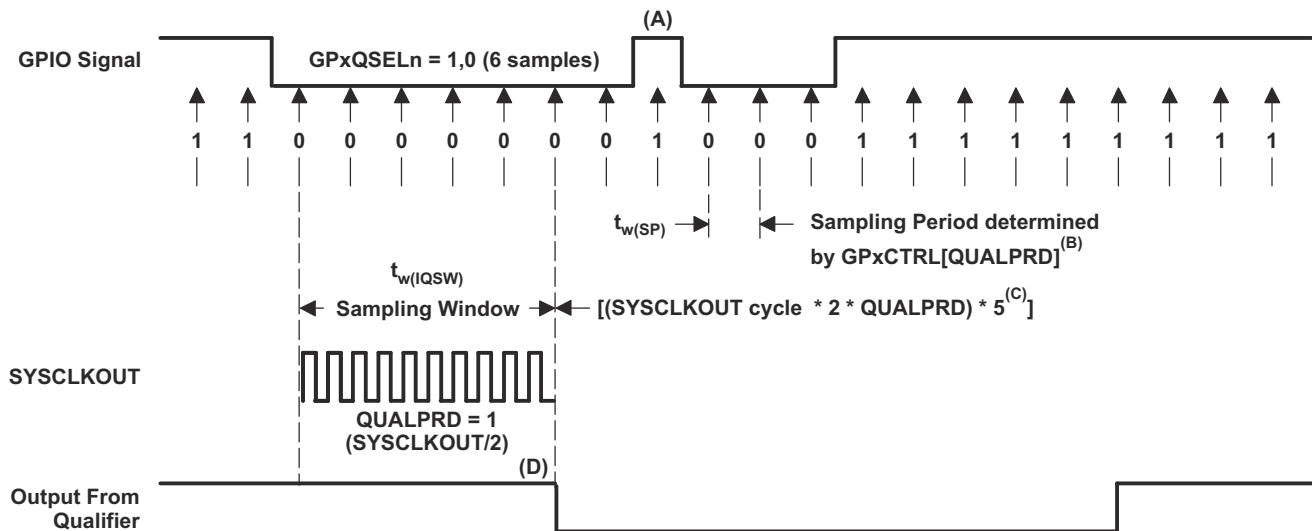
7.9.15.1.2 GPIO - Input Timing

7.9.15.1.2.1 General-Purpose Input Timing Requirements

| | | | MIN | MAX | UNIT |
|--------------------|---------------------------------|----------------------|---|-----|--------|
| $t_{w(SP)}$ | Sampling period | QUALPRD = 0 | $1t_{c(SCO)}$ | | cycles |
| | | QUALPRD \neq 0 | $2t_{c(SCO)} * QUALPRD$ | | cycles |
| $t_{w(IQSW)}$ | Input qualifier sampling window | | $t_{w(SP)} * (n^{(1)} - 1)$ | | cycles |
| $t_{w(GPI)}^{(2)}$ | Pulse duration, GPIO low/high | Synchronous mode | $2t_{c(SCO)}$ | | cycles |
| | | With input qualifier | $t_{w(IQSW)} + t_{w(SP)} + 1t_{c(SCO)}$ | | cycles |

(1) "n" represents the number of qualification samples as defined by GPxQSELn register.

(2) For $t_{w(GPI)}$, pulse width is measured from V_{IL} to V_{IL} for an active low signal and V_{IH} to V_{IH} for an active high signal.



- This glitch will be ignored by the input qualifier. The QUALPRD bit field specifies the qualification sampling period. It can vary from 00 to 0xFF. If QUALPRD = 00, then the sampling period is 1 SYSCLKOUT cycle. For any other value "n", the qualification sampling period in 2n SYSCLKOUT cycles (that is, at every 2n SYSCLKOUT cycles, the GPIO pin will be sampled).
- The qualification period selected through the GPxCTRL register applies to groups of 8 GPIO pins.
- The qualification block can take either three or six samples. The GPxQSELn Register selects which sample mode is used.
- In the example shown, for the qualifier to detect the change, the input should be stable for 10 SYSCLKOUT cycles or greater. In other words, the inputs should be stable for $(5 * QUALPRD * 2)$ SYSCLKOUT cycles. This would ensure 5 sampling periods for detection to occur. Because external signals are driven asynchronously, an 13-SYSCLKOUT-wide pulse ensures reliable recognition.

Figure 7-47. Sampling Mode

7.9.15.1.3 Sampling Window Width for Input Signals

The following section summarizes the sampling window width for input signals for various input qualifier configurations.

Sampling frequency denotes how often a signal is sampled with respect to SYSCLKOUT.

Sampling frequency = $\text{SYSCLKOUT} / (2 \times \text{QUALPRD})$, if $\text{QUALPRD} \neq 0$

Sampling frequency = SYSCLKOUT , if $\text{QUALPRD} = 0$

Sampling period = $\text{SYSCLKOUT cycle} \times 2 \times \text{QUALPRD}$, if $\text{QUALPRD} \neq 0$

In the above equations, SYSCLKOUT cycle indicates the time period of SYSCLKOUT.

Sampling period = SYSCLKOUT cycle , if $\text{QUALPRD} = 0$

In a given sampling window, either 3 or 6 samples of the input signal are taken to determine the validity of the signal. This is determined by the value written to GPxQSELn register.

Case 1:

Qualification using 3 samples

Sampling window width = $(\text{SYSCLKOUT cycle} \times 2 \times \text{QUALPRD}) \times 2$, if $\text{QUALPRD} \neq 0$

Sampling window width = $(\text{SYSCLKOUT cycle}) \times 2$, if $\text{QUALPRD} = 0$

Case 2:

Qualification using 6 samples

Sampling window width = $(\text{SYSCLKOUT cycle} \times 2 \times \text{QUALPRD}) \times 5$, if $\text{QUALPRD} \neq 0$

Sampling window width = $(\text{SYSCLKOUT cycle}) \times 5$, if $\text{QUALPRD} = 0$

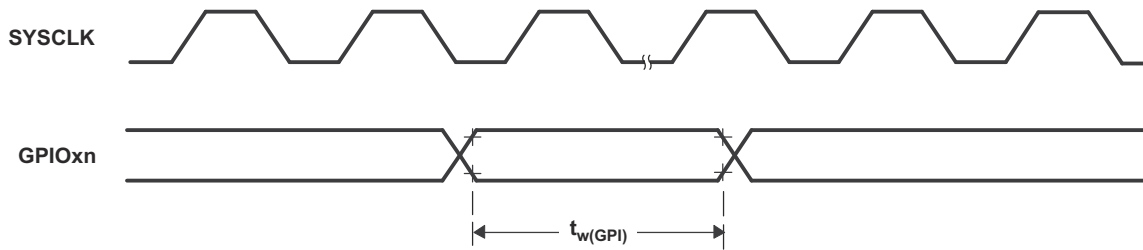


Figure 7-48. General-Purpose Input Timing

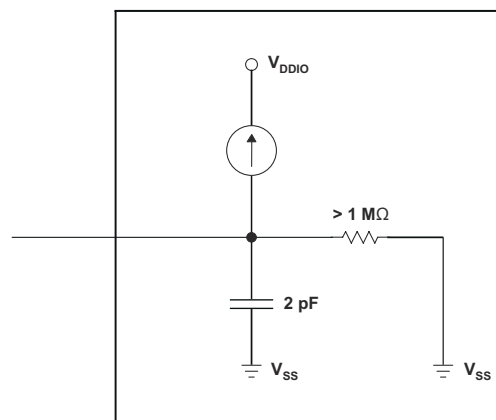


Figure 7-49. Input Resistance Model for a GPIO Pin With an Internal Pullup

7.9.15.1.4 Low-Power Mode Wakeup Timing

Section 7.9.15.1.4.1 shows the timing requirements, Section 7.9.15.1.4.2 shows the switching characteristics, and Figure 7-50 shows the timing diagram for IDLE mode.

7.9.15.1.4.1 IDLE Mode Timing Requirements

| | | MIN | MAX | UNIT |
|-------------------|---|-------------------------------------|-----------------------------|--------|
| $t_{w(WAKE-INT)}$ | Pulse duration, external wake-up signal | Without input qualifier | $2t_{c(SCO)}$ | cycles |
| | | With input qualifier ⁽¹⁾ | $5t_{c(SCO)} + t_{w(IQSW)}$ | |

(1) For an explanation of the input qualifier parameters, see Section 7.9.15.1.2.1.

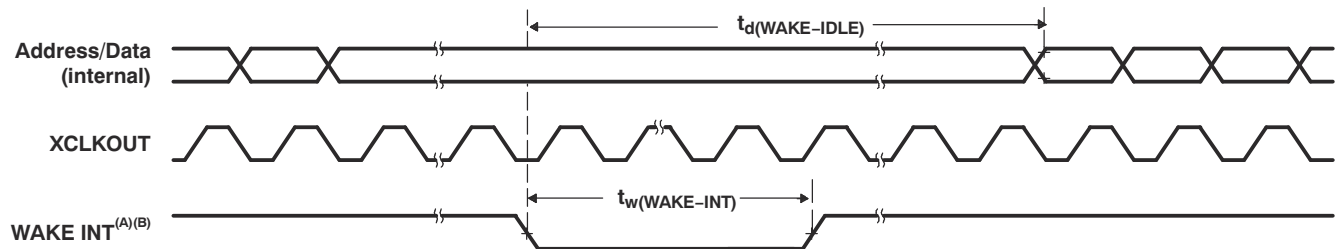
7.9.15.1.4.2 IDLE Mode Switching Characteristics

over recommended operating conditions (unless otherwise noted)

| PARAMETER | | TEST CONDITIONS | MIN | MAX | UNIT |
|-------------------------------------|---|-------------------------------------|------------------------------|--------------------------------|--------|
| $t_{d(WAKE-IDLE)}$ | Delay time, external wake signal to program execution resume ⁽¹⁾ | | | | cycles |
| | • Wake up from Flash – Flash module in active state | Without input qualifier | | $20t_{c(SCO)}$ | cycles |
| | | With input qualifier ⁽²⁾ | | $20t_{c(SCO)} + t_{w(IQSW)}$ | |
| | • Wake up from Flash – Flash module in sleep state | Without input qualifier | | $1050t_{c(SCO)}$ | cycles |
| | | With input qualifier ⁽²⁾ | | $1050t_{c(SCO)} + t_{w(IQSW)}$ | |
| | • Wake up from SARAM | Without input qualifier | | $20t_{c(SCO)}$ | cycles |
| With input qualifier ⁽²⁾ | | | $20t_{c(SCO)} + t_{w(IQSW)}$ | | |

(1) This is the time taken to begin execution of the instruction that immediately follows the IDLE instruction. Execution of an ISR (triggered by the wake-up signal) involves additional latency.

(2) For an explanation of the input qualifier parameters, see Section 7.9.15.1.2.1.



A. WAKE INT can be any enabled interrupt, \overline{WDINT} or \overline{XRS} . After the IDLE instruction is executed, a delay of 5 OSCCLK cycles (minimum) is needed before the wake-up signal could be asserted.

B. From the time the IDLE instruction is executed to place the device into low-power mode (LPM), wakeup should not be initiated until at least 4 OSCCLK cycles have elapsed.

Figure 7-50. IDLE Entry and Exit Timing

7.9.15.1.4.3 STANDBY Mode Timing Requirements

| | | | MIN | MAX | UNIT |
|-------------------|---|---|-----------------------------------|-----|--------|
| $t_{w(WAKE-INT)}$ | Pulse duration, external wake-up signal | Without input qualification | $3t_{c(OSCCLK)}$ | | cycles |
| | | With input qualification ⁽¹⁾ | $(2 + QUALSTDBY) * t_{c(OSCCLK)}$ | | |

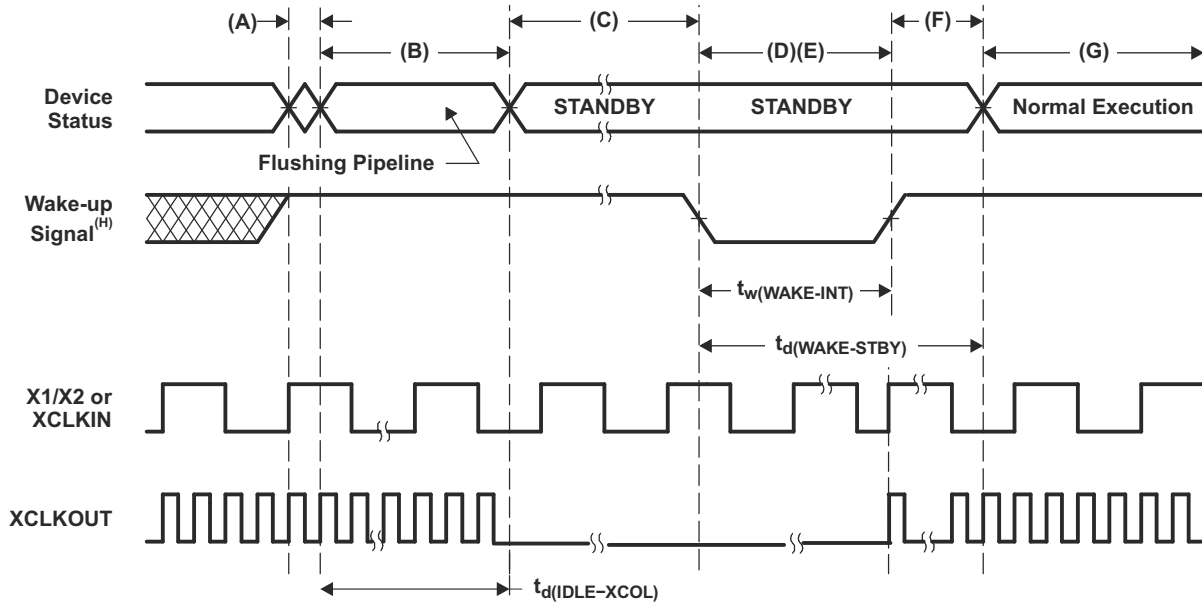
(1) QUALSTDBY is a 6-bit field in the LPMCR0 register.

7.9.15.1.4.4 STANDBY Mode Switching Characteristics

over recommended operating conditions (unless otherwise noted)

| PARAMETER | | TEST CONDITIONS | MIN | MAX | UNIT |
|----------------------|---|-------------------------|-----------------------------------|------------------------------------|--------|
| $t_{d(IDLE-XCOL)}$ | Delay time, IDLE instruction executed to XCLKOUT low | | $32t_{c(SCO)}$ | $45t_{c(SCO)}$ | cycles |
| $t_{d(WAKE-STBY)}$ | Delay time, external wake signal to program execution resume ⁽¹⁾ | | | | cycles |
| | • Wake up from flash – Flash module in active state | Without input qualifier | | $100t_{c(SCO)}$ | cycles |
| | | With input qualifier | | $100t_{c(SCO)} + t_{w(WAKE-INT)}$ | |
| | • Wake up from flash – Flash module in sleep state | Without input qualifier | | $1125t_{c(SCO)}$ | cycles |
| | | With input qualifier | | $1125t_{c(SCO)} + t_{w(WAKE-INT)}$ | |
| | • Wake up from SARAM | Without input qualifier | | $100t_{c(SCO)}$ | cycles |
| With input qualifier | | | $100t_{c(SCO)} + t_{w(WAKE-INT)}$ | | |

(1) This is the time taken to begin execution of the instruction that immediately follows the IDLE instruction. Execution of an ISR (triggered by the wake-up signal) involves additional latency.



- A. IDLE instruction is executed to put the device into STANDBY mode.
- B. The PLL block responds to the STANDBY signal. SYSCLOCKOUT is held for the number of cycles indicated below before being turned off:
- 16 cycles, when DIVSEL = 00 or 01
 - 32 cycles, when DIVSEL = 10
 - 64 cycles, when DIVSEL = 11
- This delay enables the CPU pipeline and any other pending operations to flush properly.
- C. Clock to the peripherals are turned off. However, the PLL and watchdog are not shut down. The device is now in STANDBY mode. After the IDLE instruction is executed, a delay of 5 OSCCLK cycles (minimum) is needed before the wake-up signal could be asserted.
- D. The external wake-up signal is driven active.
- E. The wake-up signal fed to a GPIO pin to wake up the device must meet the minimum pulse width requirement. Furthermore, this signal must be free of glitches. If a noisy signal is fed to a GPIO pin, the wake-up behavior of the device will not be deterministic and the device may not exit low-power mode for subsequent wake-up pulses.
- F. After a latency period, the STANDBY mode is exited.
- G. Normal execution resumes. The device will respond to the interrupt (if enabled).
- H. From the time the IDLE instruction is executed to place the device into low-power mode (LPM), wakeup should not be initiated until at least 4 OSCCLK cycles have elapsed.

Figure 7-51. STANDBY Entry and Exit Timing Diagram

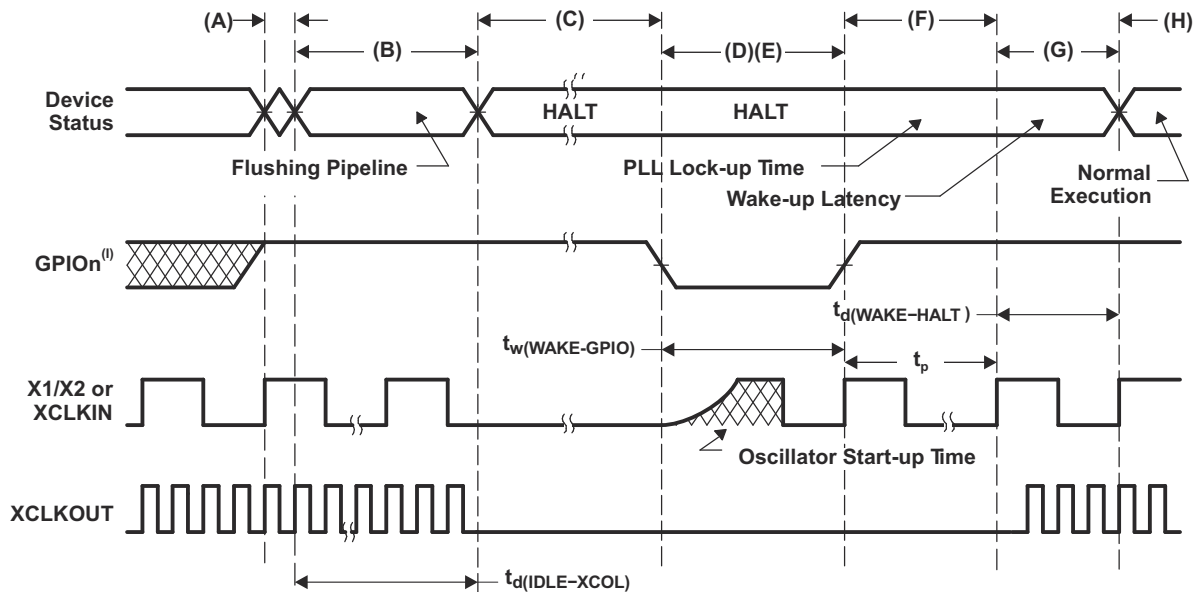
7.9.15.1.4.5 HALT Mode Timing Requirements

| | | MIN | MAX | UNIT |
|---------------------------|--|--|-----|--------|
| $t_{w(\text{WAKE-GPIO})}$ | Pulse duration, GPIO wake-up signal | $t_{\text{oscst}} + 2t_{c(\text{OSCCLK})}$ | | cycles |
| $t_{w(\text{WAKE-XRS})}$ | Pulse duration, $\overline{\text{XRS}}$ wake-up signal | $t_{\text{oscst}} + 8t_{c(\text{OSCCLK})}$ | | cycles |

7.9.15.1.4.6 HALT Mode Switching Characteristics

over recommended operating conditions (unless otherwise noted)

| PARAMETER | | MIN | MAX | UNIT |
|---------------------------|---|-----------------------|-------------------------|--------|
| $t_{d(\text{IDLE-XCOL})}$ | Delay time, IDLE instruction executed to XCLKOUT low | $32t_{c(\text{SCO})}$ | $45t_{c(\text{SCO})}$ | cycles |
| t_p | PLL lock-up time | | 1 | ms |
| $t_{d(\text{WAKE-HALT})}$ | Delay time, PLL lock to program execution resume | | | |
| | <ul style="list-style-type: none"> • Wake up from flash <ul style="list-style-type: none"> – Flash module in sleep state | | $1125t_{c(\text{SCO})}$ | cycles |
| | <ul style="list-style-type: none"> • Wake up from SARAM | | $35t_{c(\text{SCO})}$ | cycles |



- A. IDLE instruction is executed to put the device into HALT mode.
- B. The PLL block responds to the HALT signal. SYSCLKOUT is held for the number of cycles indicated below before oscillator is turned off and the CLKIN to the core is stopped:
 - 16 cycles, when DIVSEL = 00 or 01
 - 32 cycles, when DIVSEL = 10
 - 64 cycles, when DIVSEL = 11

This delay enables the CPU pipeline and any other pending operations to flush properly.

- C. Clocks to the peripherals are turned off and the PLL is shut down. If a quartz crystal or ceramic resonator is used as the clock source, the internal oscillator is shut down as well. The device is now in HALT mode and consumes absolute minimum power. It is possible to keep the zero-pin internal oscillators (INTOSC1 and INTOSC2) and the watchdog alive in HALT mode. This is done by writing to the appropriate bits in the CLKCTL register. After the IDLE instruction is executed, a delay of 5 OSCCLK cycles (minimum) is needed before the wake-up signal could be asserted.
- D. When the GPIO_n pin (used to bring the device out of HALT) is driven low, the oscillator is turned on and the oscillator wake-up sequence is initiated. The GPIO pin should be driven high only after the oscillator has stabilized. This enables the provision of a clean clock signal during the PLL lock sequence. Because the falling edge of the GPIO pin asynchronously begins the wake-up procedure, care should be taken to maintain a low noise environment prior to entering and during HALT mode.
- E. The wake-up signal fed to a GPIO pin to wake up the device must meet the minimum pulse width requirement. Furthermore, this signal must be free of glitches. If a noisy signal is fed to a GPIO pin, the wake-up behavior of the device will not be deterministic and the device may not exit low-power mode for subsequent wake-up pulses.
- F. Once the oscillator has stabilized, the PLL lock sequence is initiated, which takes 1 ms.
- G. When CLKIN to the core is enabled, the device will respond to the interrupt (if enabled), after a latency. The HALT mode is now exited.
- H. Normal operation resumes.
- I. From the time the IDLE instruction is executed to place the device into low-power mode (LPM), wakeup should not be initiated until at least 4 OSCCLK cycles have elapsed.

Figure 7-52. HALT Mode Wakeup Using GPIO_n

8 Applications, Implementation, and Layout

Note

Information in the following sections is not part of the TI component specification, and TI does not warrant its accuracy or completeness. TI's customers are responsible for determining suitability of components for their purposes. Customers should validate and test their design implementation to confirm system functionality.

8.1 TI Reference Design

The TI Reference Design Library is a robust reference design library spanning analog, embedded processor, and connectivity. Created by TI experts to help you jump start your system design, all reference designs include schematic or block diagrams, BOMs, and design files to speed your time to market. Search and download designs at the [Select TI reference designs](#) page.

[Multiple Channels of High Density LED Control for Automotive Headlight Applications](#)

This design, featuring the TMS320F2803x microcontroller, implements a high-efficiency, multichannel DC-DC LED control system for typically automotive lighting systems. The design support up to six channels of LED controls, each with a maximum of 1.2-A current driving capabilities. With a 2-stage power topology of boost and buck, the system can be operated with a wide input DC voltage from 8 V to 20 V, which fits perfectly in automotive applications.

[Automotive Digitally Controlled Boost Power Supply](#)

This TI reference design is an automotive voltage boost converter module. The purpose of this module is to supply a steady voltage to vehicle electronics by boosting during voltage droop events such as engine crank. The design is based on the C2000 Real-Time Microcontroller, and will provide up to 400 Watts of power from a 12-V automotive battery system. This solution supports continuous operational input voltage of 6 V to 16 V with protection against 36-V load dump to provide a stable 12-V output supply with reverse battery protection.

9 Device and Documentation Support

9.1 Device and Development Support Tool Nomenclature

To designate the stages in the product development cycle, TI assigns prefixes to the part numbers of all TMS320™ MCU devices and support tools. Each TMS320 MCU commercial family member has one of three prefixes: TMX, TMP, or TMS (for example, **TMS320F28032**). Texas Instruments recommends two of three possible prefix designators for its support tools: TMDX and TMDS. These prefixes represent evolutionary stages of product development from engineering prototypes (TMX/TMDX) through fully qualified production devices/tools (TMS/TMDS).

Device development evolutionary flow:

TMX Experimental device that is not necessarily representative of the final device's electrical specifications and may not use production assembly flow.

TMP Prototype device that is not necessarily the final silicon die and may not necessarily meet final electrical specifications.

TMS Production version of the silicon die that is fully qualified.

Support tool development evolutionary flow:

TMDX Development-support product that has not yet completed Texas Instruments internal qualification testing.

TMDS Fully-qualified development-support product.

TMX and TMP devices and TMDX development-support tools are shipped against the following disclaimer:

"Developmental product is intended for internal evaluation purposes."

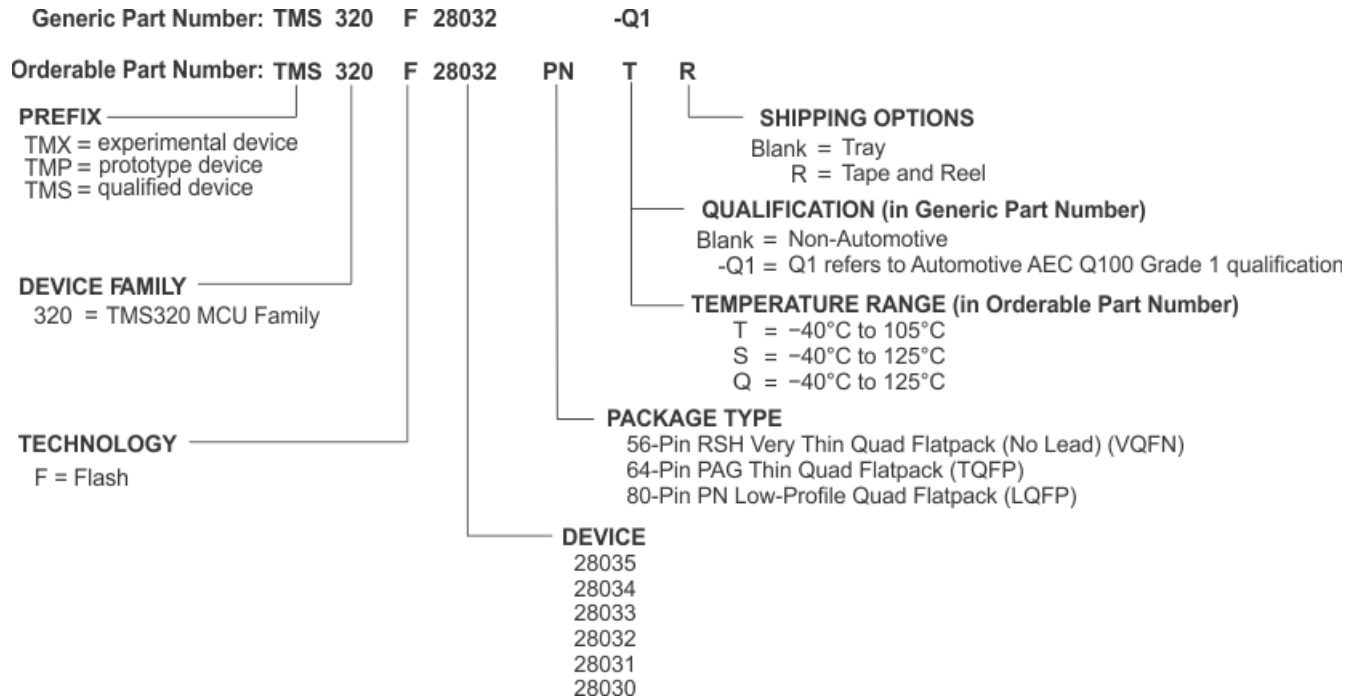
Production devices and TMDS development-support tools have been characterized fully, and the quality and reliability of the device have been demonstrated fully. TI's standard warranty applies.

Predictions show that prototype devices (X or P) have a greater failure rate than the standard production devices. Texas Instruments recommends that these devices not be used in any production system because their expected end-use failure rate still is undefined. Only qualified production devices are to be used.

TI device nomenclature also includes a suffix with the device family name. This suffix indicates the package type (for example, PN) and temperature range (for example, T). [Figure 9-1](#) provides a legend for reading the complete device name for any family member.

For device part numbers and further ordering information, see the TI website (www.ti.com) or contact your TI sales representative.

For additional description of the device nomenclature markings on the die, see the [TMS320F2803x Real-Time MCUs Silicon Errata](#).



A. For more information on peripheral, temperature, and package availability for a specific device, see [Table 4-1](#).

Figure 9-1. Device Nomenclature

9.2 Tools and Software

TI offers an extensive line of development tools. Some of the tools and software to evaluate the performance of the device, generate code, and develop solutions are listed below. To view all available tools and software for C2000™ real-time control MCUs, visit the [C2000 real-time control MCUs – Design & development](#) page.

Development Tools

[Code Composer Studio \(CCS\) Integrated Development Environment \(IDE\) for C2000 Microcontrollers](#)

Code Composer Studio is an integrated development environment (IDE) that supports TI's Microcontroller and Embedded Processors portfolio. CCS comprises a suite of tools used to develop and debug embedded applications. It includes an optimizing C/C++ compiler, source code editor, project build environment, debugger, profiler, and many other features. The intuitive IDE provides a single user interface taking you through each step of the application development flow. Familiar tools and interfaces allow users to get started faster than ever before. CCS combines the advantages of the Eclipse software framework with advanced embedded debug capabilities from TI resulting in a compelling feature-rich development environment for embedded developers.

Software Tools

[powerSUITE - Digital Power Supply Design Software Tools for C2000™ MCUs](#)

powerSUITE is a suite of digital power supply design software tools for Texas Instruments' C2000 real-time microcontroller (MCU) family. powerSUITE helps power supply engineers drastically reduce development time as they design digitally-controlled power supplies based on C2000 real-time control MCUs.

[C2000Ware for C2000 MCUs](#)

C2000Ware for C2000™ microcontrollers is a cohesive set of development software and documentation designed to minimize software development time. From device-specific drivers and libraries to device peripheral examples, C2000Ware provides a solid foundation to begin development and evaluation of your product.

[UniFlash Standalone Flash Tool](#)

UniFlash is a standalone tool used to program on-chip flash memory through a GUI, command line, or scripting interface.

[C2000 Third-party search tool](#)

TI has partnered with multiple companies to offer a wide range of solutions and services for TI C2000 devices. These companies can accelerate your path to production using C2000 devices. Download this search tool to quickly browse third-party details and find the right third-party to meet your needs.

Models

Various models are available for download from the product Tools & Software pages. These include I/O Buffer Information Specification (IBIS) Models and Boundary-Scan Description Language (BSDL) Models. To view all available models, visit the Models section of the Tools & Software page for each device.

Training

To help assist design engineers in taking full advantage of the C2000 microcontroller features and performance, TI has developed a variety of training resources. Utilizing the online training materials and downloadable hands-on workshops provides an easy means for gaining a complete working knowledge of the C2000 microcontroller family. These training resources have been designed to decrease the learning curve, while reducing development time, and accelerating product time to market. For more information on the various training resources, visit the [C2000™ real-time control MCUs – Support & training](#) site.

Specific TMS320F2803x hands-on training resources can be found within [C2000 Academy on TI Resource Explorer](#).

9.3 Documentation Support

To receive notification of documentation updates, navigate to the device product folder on [ti.com](#). Click on *Notifications* to register and receive a weekly digest of any product information that has changed. For change details, review the revision history included in any revised document.

The current documentation that describes the processor, related peripherals, and other technical collateral is listed below.

Errata

[TMS320F2803x Real-Time MCUs Silicon Errata](#) describes known advisories on silicon and provides workarounds.

Technical Reference Manual

[TMS320F2803x Real-Time Microcontrollers Technical Reference Manual](#) details the integration, the environment, the functional description, and the programming models for each peripheral and subsystem in the device.

CPU User's Guides

[TMS320C28x CPU and Instruction Set Reference Guide](#) describes the central processing unit (CPU) and the assembly language instructions of the TMS320C28x fixed-point digital signal processors (DSPs). It also describes emulation features available on these DSPs.

Peripheral Guides

[C2000 Real-Time Control Peripherals Reference Guide](#) describes the peripheral reference guides of the 28x digital signal processors (DSPs).

Tools Guides

[TMS320C28x Assembly Language Tools v22.6.0.LTS User's Guide](#) describes the assembly language tools (assembler and other tools used to develop assembly language code), assembler directives, macros, common object file format, and symbolic debugging directives for the TMS320C28x device.

[TMS320C28x Optimizing C/C++ Compiler v22.6.0.LTS User's Guide](#) describes the TMS320C28x C/C++ compiler. This compiler accepts ANSI standard C/C++ source code and produces TMS320 DSP assembly language source code for the TMS320C28x device.

Application Reports

[Semiconductor Packing Methodology](#) describes the packing methodologies employed to prepare semiconductor devices for shipment to end users.

[Calculating Useful Lifetimes of Embedded Processors](#) provides a methodology for calculating the useful lifetime of TI embedded processors (EPs) under power when used in electronic systems. It is aimed at general engineers who wish to determine if the reliability of the TI EP meets the end system reliability requirement.

[Semiconductor and IC Package Thermal Metrics](#) describes traditional and new thermal metrics and puts their application in perspective with respect to system-level junction temperature estimation.

[Calculating FIT for a Mission Profile](#) explains how use TI's reliability de-rating tools to calculate a component level FIT under power on conditions for a system mission profile.

[Oscillator Compensation Guide](#) describes a factory supplied method for compensating the internal oscillators for frequency drift caused by temperature.

[MCU CAN Module Operation Using the On-Chip Zero-Pin Oscillator](#).

The TMS320F2803x/TMS320F2805x/TMS320F2806x series of microcontrollers have an on-chip zero-pin oscillator that needs no external components. This application report describes how to use the CAN module with this oscillator to operate at the maximum bit rate and bus length without the added cost of an external clock source.

[An Introduction to IBIS \(I/O Buffer Information Specification\) Modeling](#) discusses various aspects of IBIS including its history, advantages, compatibility, model generation flow, data requirements in modeling the input/output structures and future trends.

[Serial Flash Programming of C2000™ Microcontrollers](#) discusses using a flash kernel and ROM loaders for serial programming a device.

9.4 Support Resources

[TI E2E™ support forums](#) are an engineer's go-to source for fast, verified answers and design help — straight from the experts. Search existing answers or ask your own question to get the quick design help you need.

Linked content is provided "AS IS" by the respective contributors. They do not constitute TI specifications and do not necessarily reflect TI's views; see TI's [Terms of Use](#).

9.5 Trademarks

TMS320C2000™, TMS320™, and TI E2E™ are trademarks of Texas Instruments.

I2C-bus® is a registered trademark of NXP B.V. Corporation.

All trademarks are the property of their respective owners.

9.6 Electrostatic Discharge Caution



This integrated circuit can be damaged by ESD. Texas Instruments recommends that all integrated circuits be handled with appropriate precautions. Failure to observe proper handling and installation procedures can cause damage.

ESD damage can range from subtle performance degradation to complete device failure. Precision integrated circuits may be more susceptible to damage because very small parametric changes could cause the device not to meet its published specifications.

9.7 Glossary

[TI Glossary](#) This glossary lists and explains terms, acronyms, and definitions.

10 Revision History

Changes from June 12, 2021 to January 31, 2024 (from Revision P (June 2021) to Revision Q (January 2024))

| | Page |
|---|-------------|
| • <i>Device Comparison</i> table: Updated SPI and SCI rows..... | 6 |
| • <i>Flash Parameters at 60-MHz SYSCLKOUT</i> table: Updated Program Time and Erase Time units..... | 38 |
| • <i>Tools and Software</i> section: Updated Training link..... | 143 |

11 Mechanical, Packaging, and Orderable Information

11.1 Packaging Information

The following pages include mechanical, packaging, and orderable information. This information is the most current data available for the designated devices. This data is subject to change without notice and revision of this document. For browser-based versions of this data sheet, refer to the left-hand navigation.

PACKAGING INFORMATION

| Orderable part number | Status (1) | Material type (2) | Package Pins | Package qty Carrier | RoHS (3) | Lead finish/ Ball material (4) | MSL rating/ Peak reflow (5) | Op temp (°C) | Part marking (6) |
|----------------------------------|---------------|----------------------|-----------------|-------------------------|-------------|--------------------------------------|-----------------------------------|--------------|----------------------|
| TMS320F28030PAGQ | Active | Production | TQFP (PAG) 64 | 160 JEDEC TRAY (5+1) | Yes | NIPDAU | Level-3-260C-168 HR | -40 to 125 | F28030PAGQ TMS320 |
| TMS320F28030PAGQ.A | Active | Production | TQFP (PAG) 64 | 160 JEDEC TRAY (5+1) | Yes | NIPDAU | Level-3-260C-168 HR | -40 to 125 | F28030PAGQ TMS320 |
| TMS320F28030PAGQ.B | Active | Production | TQFP (PAG) 64 | 160 JEDEC TRAY (5+1) | Yes | NIPDAU | Level-3-260C-168 HR | -40 to 125 | F28030PAGQ TMS320 |
| TMS320F28030PAGS | Active | Production | TQFP (PAG) 64 | 160 JEDEC TRAY (5+1) | Yes | NIPDAU | Level-3-260C-168 HR | -40 to 125 | F28030PAGS TMS320 |
| TMS320F28030PAGS.A | Active | Production | TQFP (PAG) 64 | 160 JEDEC TRAY (5+1) | Yes | NIPDAU | Level-3-260C-168 HR | -40 to 125 | F28030PAGS TMS320 |
| TMS320F28030PAGS.B | Active | Production | TQFP (PAG) 64 | 160 JEDEC TRAY (5+1) | Yes | NIPDAU | Level-3-260C-168 HR | -40 to 125 | F28030PAGS TMS320 |
| TMS320F28030PAGT | Active | Production | TQFP (PAG) 64 | 160 JEDEC TRAY (5+1) | Yes | NIPDAU | Level-3-260C-168 HR | -40 to 105 | F28030PAGT TMS320 |
| TMS320F28030PAGT.A | Active | Production | TQFP (PAG) 64 | 160 JEDEC TRAY (5+1) | Yes | NIPDAU | Level-3-260C-168 HR | -40 to 125 | F28030PAGT TMS320 |
| TMS320F28030PAGT.B | Active | Production | TQFP (PAG) 64 | 160 JEDEC TRAY (5+1) | Yes | NIPDAU | Level-3-260C-168 HR | -40 to 125 | F28030PAGT TMS320 |
| TMS320F28030PAGTG4 | Active | Production | TQFP (PAG) 64 | 160 JEDEC TRAY (5+1) | Yes | NIPDAU | Level-3-260C-168 HR | -40 to 125 | F28030PAGT TMS320 |
| TMS320F28030PAGTG4.A | Active | Production | TQFP (PAG) 64 | 160 JEDEC TRAY (5+1) | Yes | NIPDAU | Level-3-260C-168 HR | -40 to 125 | F28030PAGT TMS320 |
| TMS320F28030PAGTG4.B | Active | Production | TQFP (PAG) 64 | 160 JEDEC TRAY (5+1) | Yes | NIPDAU | Level-3-260C-168 HR | -40 to 125 | F28030PAGT TMS320 |
| TMS320F28030PNQ | Active | Production | LQFP (PN) 80 | 119 JEDEC TRAY (10+1) | Yes | NIPDAU | Level-3-260C-168 HR | -40 to 125 | F28030PNQ TMS320 |
| TMS320F28030PNQ.A | Active | Production | LQFP (PN) 80 | 119 JEDEC TRAY (10+1) | Yes | NIPDAU | Level-3-260C-168 HR | -40 to 125 | F28030PNQ TMS320 |
| TMS320F28030PNQ.B | Active | Production | LQFP (PN) 80 | 119 JEDEC TRAY (10+1) | Yes | NIPDAU | Level-3-260C-168 HR | -40 to 125 | F28030PNQ TMS320 |
| TMS320F28030PNS | Active | Production | LQFP (PN) 80 | 119 JEDEC TRAY (10+1) | Yes | NIPDAU | Level-3-260C-168 HR | -40 to 125 | F28030PNS TMS320 |

| Orderable part number | Status (1) | Material type (2) | Package Pins | Package qty Carrier | RoHS (3) | Lead finish/ Ball material (4) | MSL rating/ Peak reflow (5) | Op temp (°C) | Part marking (6) |
|----------------------------------|---------------|----------------------|-----------------|-------------------------|-------------|--------------------------------------|-----------------------------------|--------------|---------------------|
| TMS320F28030PNS.A | Active | Production | LQFP (PN) 80 | 119 JEDEC TRAY (10+1) | Yes | NIPDAU | Level-3-260C-168 HR | -40 to 125 | F28030PNS TMS320 |
| TMS320F28030PNS.B | Active | Production | LQFP (PN) 80 | 119 JEDEC TRAY (10+1) | Yes | NIPDAU | Level-3-260C-168 HR | -40 to 125 | F28030PNS TMS320 |
| TMS320F28030PNT | Active | Production | LQFP (PN) 80 | 119 JEDEC TRAY (10+1) | Yes | NIPDAU | Level-3-260C-168 HR | -40 to 105 | F28030PNT TMS320 |
| TMS320F28030PNT.A | Active | Production | LQFP (PN) 80 | 119 JEDEC TRAY (10+1) | Yes | NIPDAU | Level-3-260C-168 HR | -40 to 125 | F28030PNT TMS320 |
| TMS320F28030PNT.B | Active | Production | LQFP (PN) 80 | 119 JEDEC TRAY (10+1) | Yes | NIPDAU | Level-3-260C-168 HR | -40 to 125 | F28030PNT TMS320 |
| TMS320F28030RSHS | Last Time Buy | Production | VQFN (RSH) 56 | 260 JEDEC TRAY (5+1) | Yes | NIPDAU | Level-3-260C-168 HR | -40 to 125 | F28030RSHS S320 980 |
| TMS320F28030RSHT | Active | Production | VQFN (RSH) 56 | 260 JEDEC TRAY (5+1) | Yes | NIPDAU | Level-3-260C-168 HR | -40 to 105 | F28030RSHT S320 980 |
| TMS320F28030RSHT.A | Active | Production | VQFN (RSH) 56 | 260 JEDEC TRAY (5+1) | Yes | NIPDAU | Level-3-260C-168 HR | -40 to 125 | F28030RSHT S320 980 |
| TMS320F28030RSHT.B | Active | Production | VQFN (RSH) 56 | 260 JEDEC TRAY (5+1) | Yes | NIPDAU | Level-3-260C-168 HR | -40 to 125 | F28030RSHT S320 980 |
| TMS320F28031PAGQ | Active | Production | TQFP (PAG) 64 | 160 JEDEC TRAY (5+1) | Yes | NIPDAU | Level-3-260C-168 HR | -40 to 125 | F28031PAGQ TMS320 |
| TMS320F28031PAGQ.A | Active | Production | TQFP (PAG) 64 | 160 JEDEC TRAY (5+1) | Yes | NIPDAU | Level-3-260C-168 HR | -40 to 125 | F28031PAGQ TMS320 |
| TMS320F28031PAGQ.B | Active | Production | TQFP (PAG) 64 | 160 JEDEC TRAY (5+1) | Yes | NIPDAU | Level-3-260C-168 HR | -40 to 125 | F28031PAGQ TMS320 |
| TMS320F28031PAGS | Active | Production | TQFP (PAG) 64 | 160 JEDEC TRAY (5+1) | Yes | NIPDAU | Level-3-260C-168 HR | -40 to 125 | F28031PAGS TMS320 |
| TMS320F28031PAGS.A | Active | Production | TQFP (PAG) 64 | 160 JEDEC TRAY (5+1) | Yes | NIPDAU | Level-3-260C-168 HR | -40 to 125 | F28031PAGS TMS320 |
| TMS320F28031PAGS.B | Active | Production | TQFP (PAG) 64 | 160 JEDEC TRAY (5+1) | Yes | NIPDAU | Level-3-260C-168 HR | -40 to 125 | F28031PAGS TMS320 |
| TMS320F28031PAGT | Active | Production | TQFP (PAG) 64 | 160 JEDEC TRAY (5+1) | Yes | NIPDAU | Level-3-260C-168 HR | -40 to 105 | F28031PAGT TMS320 |
| TMS320F28031PAGT.A | Active | Production | TQFP (PAG) 64 | 160 JEDEC TRAY (5+1) | Yes | NIPDAU | Level-3-260C-168 HR | -40 to 125 | F28031PAGT TMS320 |

| Orderable part number | Status (1) | Material type (2) | Package Pins | Package qty Carrier | RoHS (3) | Lead finish/ Ball material (4) | MSL rating/ Peak reflow (5) | Op temp (°C) | Part marking (6) |
|----------------------------------|---------------|----------------------|-----------------|-------------------------|-------------|--------------------------------------|-----------------------------------|--------------|------------------------|
| TMS320F28031PAGT.B | Active | Production | TQFP (PAG) 64 | 160 JEDEC TRAY (5+1) | Yes | NIPDAU | Level-3-260C-168 HR | -40 to 125 | F28031PAGT TMS320 |
| TMS320F28031PNQ | Active | Production | LQFP (PN) 80 | 119 JEDEC TRAY (10+1) | Yes | NIPDAU | Level-3-260C-168 HR | -40 to 125 | F28031PNQ TMS320 |
| TMS320F28031PNQ.A | Active | Production | LQFP (PN) 80 | 119 JEDEC TRAY (10+1) | Yes | NIPDAU | Level-3-260C-168 HR | -40 to 125 | F28031PNQ TMS320 |
| TMS320F28031PNQ.B | Active | Production | LQFP (PN) 80 | 119 JEDEC TRAY (10+1) | Yes | NIPDAU | Level-3-260C-168 HR | -40 to 125 | F28031PNQ TMS320 |
| TMS320F28031PNS | Active | Production | LQFP (PN) 80 | 119 JEDEC TRAY (10+1) | Yes | NIPDAU | Level-3-260C-168 HR | -40 to 125 | F28031PNS TMS320 |
| TMS320F28031PNS.A | Active | Production | LQFP (PN) 80 | 119 JEDEC TRAY (10+1) | Yes | NIPDAU | Level-3-260C-168 HR | -40 to 125 | F28031PNS TMS320 |
| TMS320F28031PNS.B | Active | Production | LQFP (PN) 80 | 119 JEDEC TRAY (10+1) | Yes | NIPDAU | Level-3-260C-168 HR | -40 to 125 | F28031PNS TMS320 |
| TMS320F28031PNT | Active | Production | LQFP (PN) 80 | 119 JEDEC TRAY (10+1) | Yes | NIPDAU | Level-3-260C-168 HR | -40 to 105 | F28031PNT TMS320 |
| TMS320F28031PNT.A | Active | Production | LQFP (PN) 80 | 119 JEDEC TRAY (10+1) | Yes | NIPDAU | Level-3-260C-168 HR | -40 to 125 | F28031PNT TMS320 |
| TMS320F28031PNT.B | Active | Production | LQFP (PN) 80 | 119 JEDEC TRAY (10+1) | Yes | NIPDAU | Level-3-260C-168 HR | -40 to 125 | F28031PNT TMS320 |
| TMS320F28031RSHS | Active | Production | VQFN (RSH) 56 | 260 JEDEC TRAY (5+1) | Yes | NIPDAU | Level-3-260C-168 HR | -40 to 125 | F28031RSHS S320 980 |
| TMS320F28031RSHS.A | Active | Production | VQFN (RSH) 56 | 260 JEDEC TRAY (5+1) | Yes | NIPDAU | Level-3-260C-168 HR | -40 to 125 | F28031RSHS S320 980 |
| TMS320F28031RSHS.B | Active | Production | VQFN (RSH) 56 | 260 JEDEC TRAY (5+1) | Yes | NIPDAU | Level-3-260C-168 HR | -40 to 125 | F28031RSHS S320 980 |
| TMS320F28032PAGQ | Active | Production | TQFP (PAG) 64 | 160 JEDEC TRAY (5+1) | Yes | NIPDAU | Level-3-260C-168 HR | -40 to 125 | F28032PAGQ TMS320 |
| TMS320F28032PAGQ.A | Active | Production | TQFP (PAG) 64 | 160 JEDEC TRAY (5+1) | Yes | NIPDAU | Level-3-260C-168 HR | -40 to 125 | F28032PAGQ TMS320 |
| TMS320F28032PAGQ.B | Active | Production | TQFP (PAG) 64 | 160 JEDEC TRAY (5+1) | Yes | NIPDAU | Level-3-260C-168 HR | -40 to 125 | F28032PAGQ TMS320 |
| TMS320F28032PAGS | Active | Production | TQFP (PAG) 64 | 160 JEDEC TRAY (5+1) | Yes | NIPDAU | Level-3-260C-168 HR | -40 to 125 | F28032PAGS TMS320 |

| Orderable part number | Status (1) | Material type (2) | Package Pins | Package qty Carrier | RoHS (3) | Lead finish/ Ball material (4) | MSL rating/ Peak reflow (5) | Op temp (°C) | Part marking (6) |
|----------------------------------|---------------|----------------------|-----------------|-------------------------|-------------|--------------------------------------|-----------------------------------|--------------|----------------------|
| TMS320F28032PAGS.A | Active | Production | TQFP (PAG) 64 | 160 JEDEC TRAY (5+1) | Yes | NIPDAU | Level-3-260C-168 HR | -40 to 125 | F28032PAGS TMS320 |
| TMS320F28032PAGS.B | Active | Production | TQFP (PAG) 64 | 160 JEDEC TRAY (5+1) | Yes | NIPDAU | Level-3-260C-168 HR | -40 to 125 | F28032PAGS TMS320 |
| TMS320F28032PAGT | Active | Production | TQFP (PAG) 64 | 160 JEDEC TRAY (5+1) | Yes | NIPDAU | Level-3-260C-168 HR | -40 to 105 | F28032PAGT TMS320 |
| TMS320F28032PAGT.A | Active | Production | TQFP (PAG) 64 | 160 JEDEC TRAY (5+1) | Yes | NIPDAU | Level-3-260C-168 HR | -40 to 125 | F28032PAGT TMS320 |
| TMS320F28032PAGT.B | Active | Production | TQFP (PAG) 64 | 160 JEDEC TRAY (5+1) | Yes | NIPDAU | Level-3-260C-168 HR | -40 to 125 | F28032PAGT TMS320 |
| TMS320F28032PNQ | Active | Production | LQFP (PN) 80 | 119 JEDEC TRAY (10+1) | Yes | NIPDAU | Level-3-260C-168 HR | -40 to 125 | F28032PNQ TMS320 |
| TMS320F28032PNQ.A | Active | Production | LQFP (PN) 80 | 119 JEDEC TRAY (10+1) | Yes | NIPDAU | Level-3-260C-168 HR | -40 to 125 | F28032PNQ TMS320 |
| TMS320F28032PNQ.B | Active | Production | LQFP (PN) 80 | 119 JEDEC TRAY (10+1) | Yes | NIPDAU | Level-3-260C-168 HR | -40 to 125 | F28032PNQ TMS320 |
| TMS320F28032PNS | Active | Production | LQFP (PN) 80 | 119 JEDEC TRAY (10+1) | Yes | NIPDAU | Level-3-260C-168 HR | -40 to 125 | F28032PNS TMS320 |
| TMS320F28032PNS.A | Active | Production | LQFP (PN) 80 | 119 JEDEC TRAY (10+1) | Yes | NIPDAU | Level-3-260C-168 HR | -40 to 125 | F28032PNS TMS320 |
| TMS320F28032PNS.B | Active | Production | LQFP (PN) 80 | 119 JEDEC TRAY (10+1) | Yes | NIPDAU | Level-3-260C-168 HR | -40 to 125 | F28032PNS TMS320 |
| TMS320F28032PNT | Active | Production | LQFP (PN) 80 | 119 JEDEC TRAY (10+1) | Yes | NIPDAU | Level-3-260C-168 HR | -40 to 105 | F28032PNT TMS320 |
| TMS320F28032PNT.A | Active | Production | LQFP (PN) 80 | 119 JEDEC TRAY (10+1) | Yes | NIPDAU | Level-3-260C-168 HR | -40 to 125 | F28032PNT TMS320 |
| TMS320F28032PNT.B | Active | Production | LQFP (PN) 80 | 119 JEDEC TRAY (10+1) | Yes | NIPDAU | Level-3-260C-168 HR | -40 to 125 | F28032PNT TMS320 |
| TMS320F28032PNTR | Active | Production | LQFP (PN) 80 | 1000 LARGE T&R | Yes | NIPDAU | Level-3-260C-168 HR | -40 to 105 | F28032PNT TMS320 |
| TMS320F28032PNTR.A | Active | Production | LQFP (PN) 80 | 1000 LARGE T&R | Yes | NIPDAU | Level-3-260C-168 HR | -40 to 125 | F28032PNT TMS320 |
| TMS320F28032PNTR.B | Active | Production | LQFP (PN) 80 | 1000 LARGE T&R | Yes | NIPDAU | Level-3-260C-168 HR | -40 to 125 | F28032PNT TMS320 |

| Orderable part number | Status (1) | Material type (2) | Package Pins | Package qty Carrier | RoHS (3) | Lead finish/ Ball material (4) | MSL rating/ Peak reflow (5) | Op temp (°C) | Part marking (6) |
|----------------------------------|---------------|----------------------|-----------------|-------------------------|-------------|--------------------------------------|-----------------------------------|--------------|------------------------|
| TMS320F28032RSHS | Last Time Buy | Production | VQFN (RSH) 56 | 260 JEDEC TRAY (5+1) | Yes | NIPDAU | Level-3-260C-168 HR | -40 to 125 | F28032RSHS S320 980 |
| TMS320F28032RSHT | Active | Production | VQFN (RSH) 56 | 260 JEDEC TRAY (5+1) | Yes | NIPDAU | Level-3-260C-168 HR | -40 to 105 | F28032RSHT S320 980 |
| TMS320F28032RSHT.A | Active | Production | VQFN (RSH) 56 | 260 JEDEC TRAY (5+1) | Yes | NIPDAU | Level-3-260C-168 HR | -40 to 125 | F28032RSHT S320 980 |
| TMS320F28032RSHT.B | Active | Production | VQFN (RSH) 56 | 260 JEDEC TRAY (5+1) | Yes | NIPDAU | Level-3-260C-168 HR | -40 to 125 | F28032RSHT S320 980 |
| TMS320F28033P1PAGS | Active | Production | TQFP (PAG) 64 | 160 JEDEC TRAY (5+1) | Yes | NIPDAU | Level-3-260C-168 HR | -40 to 125 | F28033PAGS TMS320 |
| TMS320F28033PAGQ | Active | Production | TQFP (PAG) 64 | 160 JEDEC TRAY (5+1) | Yes | NIPDAU | Level-3-260C-168 HR | -40 to 125 | F28033PAGQ TMS320 |
| TMS320F28033PAGQ.A | Active | Production | TQFP (PAG) 64 | 160 JEDEC TRAY (5+1) | Yes | NIPDAU | Level-3-260C-168 HR | -40 to 125 | F28033PAGQ TMS320 |
| TMS320F28033PAGQ.B | Active | Production | TQFP (PAG) 64 | 160 JEDEC TRAY (5+1) | Yes | NIPDAU | Level-3-260C-168 HR | -40 to 125 | F28033PAGQ TMS320 |
| TMS320F28033PAGS | Active | Production | TQFP (PAG) 64 | 160 JEDEC TRAY (5+1) | Yes | NIPDAU | Level-3-260C-168 HR | -40 to 125 | F28033PAGS TMS320 |
| TMS320F28033PAGS.A | Active | Production | TQFP (PAG) 64 | 160 JEDEC TRAY (5+1) | Yes | NIPDAU | Level-3-260C-168 HR | -40 to 125 | F28033PAGS TMS320 |
| TMS320F28033PAGS.B | Active | Production | TQFP (PAG) 64 | 160 JEDEC TRAY (5+1) | Yes | NIPDAU | Level-3-260C-168 HR | -40 to 125 | F28033PAGS TMS320 |
| TMS320F28033PAGT | Active | Production | TQFP (PAG) 64 | 160 JEDEC TRAY (5+1) | Yes | NIPDAU | Level-3-260C-168 HR | -40 to 105 | F28033PAGT TMS320 |
| TMS320F28033PAGT.A | Active | Production | TQFP (PAG) 64 | 160 JEDEC TRAY (5+1) | Yes | NIPDAU | Level-3-260C-168 HR | -40 to 125 | F28033PAGT TMS320 |
| TMS320F28033PAGT.B | Active | Production | TQFP (PAG) 64 | 160 JEDEC TRAY (5+1) | Yes | NIPDAU | Level-3-260C-168 HR | -40 to 125 | F28033PAGT TMS320 |
| TMS320F28033PNQ | Active | Production | LQFP (PN) 80 | 119 JEDEC TRAY (10+1) | Yes | NIPDAU | Level-3-260C-168 HR | -40 to 125 | F28033PNQ TMS320 |
| TMS320F28033PNQ.A | Active | Production | LQFP (PN) 80 | 119 JEDEC TRAY (10+1) | Yes | NIPDAU | Level-3-260C-168 HR | -40 to 125 | F28033PNQ TMS320 |
| TMS320F28033PNQ.B | Active | Production | LQFP (PN) 80 | 119 JEDEC TRAY (10+1) | Yes | NIPDAU | Level-3-260C-168 HR | -40 to 125 | F28033PNQ TMS320 |

| Orderable part number | Status (1) | Material type (2) | Package Pins | Package qty Carrier | RoHS (3) | Lead finish/ Ball material (4) | MSL rating/ Peak reflow (5) | Op temp (°C) | Part marking (6) |
|-----------------------------------|---------------|----------------------|-----------------|-------------------------|-------------|--------------------------------------|-----------------------------------|--------------|------------------------|
| TMS320F28033PNS | Active | Production | LQFP (PN) 80 | 119 JEDEC TRAY (10+1) | Yes | NIPDAU | Level-3-260C-168 HR | -40 to 125 | F28033PNS TMS320 |
| TMS320F28033PNS.A | Active | Production | LQFP (PN) 80 | 119 JEDEC TRAY (10+1) | Yes | NIPDAU | Level-3-260C-168 HR | -40 to 125 | F28033PNS TMS320 |
| TMS320F28033PNS.B | Active | Production | LQFP (PN) 80 | 119 JEDEC TRAY (10+1) | Yes | NIPDAU | Level-3-260C-168 HR | -40 to 125 | F28033PNS TMS320 |
| TMS320F28033PNT | Active | Production | LQFP (PN) 80 | 119 JEDEC TRAY (10+1) | Yes | NIPDAU | Level-3-260C-168 HR | -40 to 105 | F28033PNT TMS320 |
| TMS320F28033PNT.A | Active | Production | LQFP (PN) 80 | 119 JEDEC TRAY (10+1) | Yes | NIPDAU | Level-3-260C-168 HR | -40 to 125 | F28033PNT TMS320 |
| TMS320F28033PNT.B | Active | Production | LQFP (PN) 80 | 119 JEDEC TRAY (10+1) | Yes | NIPDAU | Level-3-260C-168 HR | -40 to 125 | F28033PNT TMS320 |
| TMS320F28033RSHS | Active | Production | VQFN (RSH) 56 | 260 JEDEC TRAY (5+1) | Yes | NIPDAU | Level-3-260C-168 HR | -40 to 125 | F28033RSHS S320 980 |
| TMS320F28033RSHS.A | Active | Production | VQFN (RSH) 56 | 260 JEDEC TRAY (5+1) | Yes | NIPDAU | Level-3-260C-168 HR | -40 to 125 | F28033RSHS S320 980 |
| TMS320F28033RSHS.B | Active | Production | VQFN (RSH) 56 | 260 JEDEC TRAY (5+1) | Yes | NIPDAU | Level-3-260C-168 HR | -40 to 125 | F28033RSHS S320 980 |
| TMS320F28034PAGQ | Active | Production | TQFP (PAG) 64 | 160 JEDEC TRAY (5+1) | Yes | NIPDAU | Level-3-260C-168 HR | -40 to 125 | F28034PAGQ TMS320 |
| TMS320F28034PAGQ.A | Active | Production | TQFP (PAG) 64 | 160 JEDEC TRAY (5+1) | Yes | NIPDAU | Level-3-260C-168 HR | -40 to 125 | F28034PAGQ TMS320 |
| TMS320F28034PAGQ.B | Active | Production | TQFP (PAG) 64 | 160 JEDEC TRAY (5+1) | Yes | NIPDAU | Level-3-260C-168 HR | -40 to 125 | F28034PAGQ TMS320 |
| TMS320F28034PAGQR | Active | Production | TQFP (PAG) 64 | 1500 LARGE T&R | Yes | NIPDAU | Level-3-260C-168 HR | -40 to 125 | F28034PAGQ TMS320 |
| TMS320F28034PAGQR.A | Active | Production | TQFP (PAG) 64 | 1500 LARGE T&R | Yes | NIPDAU | Level-3-260C-168 HR | -40 to 125 | F28034PAGQ TMS320 |
| TMS320F28034PAGQR.B | Active | Production | TQFP (PAG) 64 | 1500 LARGE T&R | Yes | NIPDAU | Level-3-260C-168 HR | -40 to 125 | F28034PAGQ TMS320 |
| TMS320F28034PAGS | Active | Production | TQFP (PAG) 64 | 160 JEDEC TRAY (5+1) | Yes | NIPDAU | Level-3-260C-168 HR | -40 to 125 | F28034PAGS TMS320 |
| TMS320F28034PAGS.A | Active | Production | TQFP (PAG) 64 | 160 JEDEC TRAY (5+1) | Yes | NIPDAU | Level-3-260C-168 HR | -40 to 125 | F28034PAGS TMS320 |

| Orderable part number | Status (1) | Material type (2) | Package Pins | Package qty Carrier | RoHS (3) | Lead finish/ Ball material (4) | MSL rating/ Peak reflow (5) | Op temp (°C) | Part marking (6) |
|----------------------------------|---------------|----------------------|-----------------|-------------------------|-------------|--------------------------------------|-----------------------------------|--------------|------------------------|
| TMS320F28034PAGS.B | Active | Production | TQFP (PAG) 64 | 160 JEDEC TRAY (5+1) | Yes | NIPDAU | Level-3-260C-168 HR | -40 to 125 | F28034PAGS TMS320 |
| TMS320F28034PAGT | Active | Production | TQFP (PAG) 64 | 160 JEDEC TRAY (5+1) | Yes | NIPDAU | Level-3-260C-168 HR | -40 to 105 | F28034PAGT TMS320 |
| TMS320F28034PAGT.A | Active | Production | TQFP (PAG) 64 | 160 JEDEC TRAY (5+1) | Yes | NIPDAU | Level-3-260C-168 HR | -40 to 125 | F28034PAGT TMS320 |
| TMS320F28034PAGT.B | Active | Production | TQFP (PAG) 64 | 160 JEDEC TRAY (5+1) | Yes | NIPDAU | Level-3-260C-168 HR | -40 to 125 | F28034PAGT TMS320 |
| TMS320F28034PNQ | Active | Production | LQFP (PN) 80 | 119 JEDEC TRAY (10+1) | Yes | NIPDAU | Level-3-260C-168 HR | -40 to 125 | F28034PNQ TMS320 |
| TMS320F28034PNQ.A | Active | Production | LQFP (PN) 80 | 119 JEDEC TRAY (10+1) | Yes | NIPDAU | Level-3-260C-168 HR | -40 to 125 | F28034PNQ TMS320 |
| TMS320F28034PNQ.B | Active | Production | LQFP (PN) 80 | 119 JEDEC TRAY (10+1) | Yes | NIPDAU | Level-3-260C-168 HR | -40 to 125 | F28034PNQ TMS320 |
| TMS320F28034PNS | Active | Production | LQFP (PN) 80 | 119 JEDEC TRAY (10+1) | Yes | NIPDAU | Level-3-260C-168 HR | -40 to 125 | F28034PNS TMS320 |
| TMS320F28034PNS.A | Active | Production | LQFP (PN) 80 | 119 JEDEC TRAY (10+1) | Yes | NIPDAU | Level-3-260C-168 HR | -40 to 125 | F28034PNS TMS320 |
| TMS320F28034PNS.B | Active | Production | LQFP (PN) 80 | 119 JEDEC TRAY (10+1) | Yes | NIPDAU | Level-3-260C-168 HR | -40 to 125 | F28034PNS TMS320 |
| TMS320F28034PNT | Active | Production | LQFP (PN) 80 | 119 JEDEC TRAY (10+1) | Yes | NIPDAU | Level-3-260C-168 HR | -40 to 105 | F28034PNT TMS320 |
| TMS320F28034PNT.A | Active | Production | LQFP (PN) 80 | 119 JEDEC TRAY (10+1) | Yes | NIPDAU | Level-3-260C-168 HR | -40 to 125 | F28034PNT TMS320 |
| TMS320F28034PNT.B | Active | Production | LQFP (PN) 80 | 119 JEDEC TRAY (10+1) | Yes | NIPDAU | Level-3-260C-168 HR | -40 to 125 | F28034PNT TMS320 |
| TMS320F28034PNTR | Active | Production | LQFP (PN) 80 | 1000 LARGE T&R | Yes | NIPDAU | Level-3-260C-168 HR | -40 to 105 | F28034PNT TMS320 |
| TMS320F28034PNTR.A | Active | Production | LQFP (PN) 80 | 1000 LARGE T&R | Yes | NIPDAU | Level-3-260C-168 HR | -40 to 125 | F28034PNT TMS320 |
| TMS320F28034PNTR.B | Active | Production | LQFP (PN) 80 | 1000 LARGE T&R | Yes | NIPDAU | Level-3-260C-168 HR | -40 to 125 | F28034PNT TMS320 |
| TMS320F28034RSHS | Active | Production | VQFN (RSH) 56 | 260 JEDEC TRAY (5+1) | Yes | NIPDAU | Level-3-260C-168 HR | -40 to 125 | F28034RSHS S320 980 |

| Orderable part number | Status (1) | Material type (2) | Package Pins | Package qty Carrier | RoHS (3) | Lead finish/ Ball material (4) | MSL rating/ Peak reflow (5) | Op temp (°C) | Part marking (6) |
|-----------------------------------|---------------|----------------------|-----------------|-------------------------|-------------|--------------------------------------|-----------------------------------|--------------|------------------------|
| TMS320F28034RSHS.B | Active | Production | VQFN (RSH) 56 | 260 JEDEC TRAY (5+1) | Yes | NIPDAU | Level-3-260C-168 HR | -40 to 125 | F28034RSHS S320 980 |
| TMS320F28034RSHT | Active | Production | VQFN (RSH) 56 | 260 JEDEC TRAY (5+1) | Yes | NIPDAU | Level-3-260C-168 HR | -40 to 105 | F28034RSHT S320 980 |
| TMS320F28034RSHT.B | Active | Production | VQFN (RSH) 56 | 260 JEDEC TRAY (5+1) | Yes | NIPDAU | Level-3-260C-168 HR | -40 to 125 | F28034RSHT S320 980 |
| TMS320F28035PAGQ | Active | Production | TQFP (PAG) 64 | 160 JEDEC TRAY (5+1) | Yes | NIPDAU | Level-3-260C-168 HR | -40 to 125 | F28035PAGQ TMS320 |
| TMS320F28035PAGQ.A | Active | Production | TQFP (PAG) 64 | 160 JEDEC TRAY (5+1) | Yes | NIPDAU | Level-3-260C-168 HR | -40 to 125 | F28035PAGQ TMS320 |
| TMS320F28035PAGQ.B | Active | Production | TQFP (PAG) 64 | 160 JEDEC TRAY (5+1) | Yes | NIPDAU | Level-3-260C-168 HR | -40 to 125 | F28035PAGQ TMS320 |
| TMS320F28035PAGS | Active | Production | TQFP (PAG) 64 | 160 JEDEC TRAY (5+1) | Yes | NIPDAU | Level-3-260C-168 HR | -40 to 125 | F28035PAGS TMS320 |
| TMS320F28035PAGS.A | Active | Production | TQFP (PAG) 64 | 160 JEDEC TRAY (5+1) | Yes | NIPDAU | Level-3-260C-168 HR | -40 to 125 | F28035PAGS TMS320 |
| TMS320F28035PAGS.B | Active | Production | TQFP (PAG) 64 | 160 JEDEC TRAY (5+1) | Yes | NIPDAU | Level-3-260C-168 HR | -40 to 125 | F28035PAGS TMS320 |
| TMS320F28035PAGT | Active | Production | TQFP (PAG) 64 | 160 JEDEC TRAY (5+1) | Yes | NIPDAU | Level-3-260C-168 HR | -40 to 105 | F28035PAGT TMS320 |
| TMS320F28035PAGT.A | Active | Production | TQFP (PAG) 64 | 160 JEDEC TRAY (5+1) | Yes | NIPDAU | Level-3-260C-168 HR | -40 to 125 | F28035PAGT TMS320 |
| TMS320F28035PAGT.B | Active | Production | TQFP (PAG) 64 | 160 JEDEC TRAY (5+1) | Yes | NIPDAU | Level-3-260C-168 HR | -40 to 125 | F28035PAGT TMS320 |
| TMS320F28035PAGTR | Active | Production | TQFP (PAG) 64 | 1500 LARGE T&R | Yes | NIPDAU | Level-3-260C-168 HR | -40 to 105 | F28035PAGT TMS320 |
| TMS320F28035PAGTR.A | Active | Production | TQFP (PAG) 64 | 1500 LARGE T&R | Yes | NIPDAU | Level-3-260C-168 HR | -40 to 125 | F28035PAGT TMS320 |
| TMS320F28035PAGTR.B | Active | Production | TQFP (PAG) 64 | 1500 LARGE T&R | Yes | NIPDAU | Level-3-260C-168 HR | -40 to 125 | F28035PAGT TMS320 |
| TMS320F28035PNQ | Active | Production | LQFP (PN) 80 | 119 JEDEC TRAY (10+1) | Yes | NIPDAU | Level-3-260C-168 HR | -40 to 125 | F28035PNQ TMS320 |
| TMS320F28035PNQ.A | Active | Production | LQFP (PN) 80 | 119 JEDEC TRAY (10+1) | Yes | NIPDAU | Level-3-260C-168 HR | -40 to 125 | F28035PNQ TMS320 |

| Orderable part number | Status (1) | Material type (2) | Package Pins | Package qty Carrier | RoHS (3) | Lead finish/ Ball material (4) | MSL rating/ Peak reflow (5) | Op temp (°C) | Part marking (6) |
|----------------------------------|---------------|----------------------|----------------|-------------------------|-------------|--------------------------------------|-----------------------------------|--------------|---------------------|
| TMS320F28035PNQ.B | Active | Production | LQFP (PN) 80 | 119 JEDEC TRAY (10+1) | Yes | NIPDAU | Level-3-260C-168 HR | -40 to 125 | F28035PNQ TMS320 |
| TMS320F28035PNQR | Active | Production | LQFP (PN) 80 | 1000 LARGE T&R | Yes | NIPDAU | Level-3-260C-168 HR | -40 to 125 | F28035PNQ TMS320 |
| TMS320F28035PNQR.A | Active | Production | LQFP (PN) 80 | 1000 LARGE T&R | Yes | NIPDAU | Level-3-260C-168 HR | -40 to 125 | F28035PNQ TMS320 |
| TMS320F28035PNQR.B | Active | Production | LQFP (PN) 80 | 1000 LARGE T&R | Yes | NIPDAU | Level-3-260C-168 HR | -40 to 125 | F28035PNQ TMS320 |
| TMS320F28035PNS | Active | Production | LQFP (PN) 80 | 119 JEDEC TRAY (10+1) | Yes | NIPDAU | Level-3-260C-168 HR | -40 to 125 | F28035PNS TMS320 |
| TMS320F28035PNS.A | Active | Production | LQFP (PN) 80 | 119 JEDEC TRAY (10+1) | Yes | NIPDAU | Level-3-260C-168 HR | -40 to 125 | F28035PNS TMS320 |
| TMS320F28035PNS.B | Active | Production | LQFP (PN) 80 | 119 JEDEC TRAY (10+1) | Yes | NIPDAU | Level-3-260C-168 HR | -40 to 125 | F28035PNS TMS320 |
| TMS320F28035PNSG4 | Active | Production | LQFP (PN) 80 | 119 JEDEC TRAY (10+1) | Yes | NIPDAU | Level-3-260C-168 HR | -40 to 125 | F28035PNS TMS320 |
| TMS320F28035PNSG4.A | Active | Production | LQFP (PN) 80 | 119 JEDEC TRAY (10+1) | Yes | NIPDAU | Level-3-260C-168 HR | -40 to 125 | F28035PNS TMS320 |
| TMS320F28035PNSG4.B | Active | Production | LQFP (PN) 80 | 119 JEDEC TRAY (10+1) | Yes | NIPDAU | Level-3-260C-168 HR | -40 to 125 | F28035PNS TMS320 |
| TMS320F28035PNT | Active | Production | LQFP (PN) 80 | 119 JEDEC TRAY (10+1) | Yes | NIPDAU | Level-3-260C-168 HR | -40 to 105 | F28035PNT TMS320 |
| TMS320F28035PNT.A | Active | Production | LQFP (PN) 80 | 119 JEDEC TRAY (10+1) | Yes | NIPDAU | Level-3-260C-168 HR | -40 to 125 | F28035PNT TMS320 |
| TMS320F28035PNT.B | Active | Production | LQFP (PN) 80 | 119 JEDEC TRAY (10+1) | Yes | NIPDAU | Level-3-260C-168 HR | -40 to 125 | F28035PNT TMS320 |
| TMS320F28035PNTG4 | Active | Production | LQFP (PN) 80 | 119 JEDEC TRAY (10+1) | Yes | NIPDAU | Level-3-260C-168 HR | -40 to 125 | F28035PNT TMS320 |
| TMS320F28035PNTG4.A | Active | Production | LQFP (PN) 80 | 119 JEDEC TRAY (10+1) | Yes | NIPDAU | Level-3-260C-168 HR | -40 to 125 | F28035PNT TMS320 |
| TMS320F28035PNTG4.B | Active | Production | LQFP (PN) 80 | 119 JEDEC TRAY (10+1) | Yes | NIPDAU | Level-3-260C-168 HR | -40 to 125 | F28035PNT TMS320 |
| TMS320F28035PNTR | Active | Production | LQFP (PN) 80 | 1000 LARGE T&R | Yes | NIPDAU | Level-3-260C-168 HR | -40 to 105 | F28035PNT TMS320 |

| Orderable part number | Status (1) | Material type (2) | Package Pins | Package qty Carrier | RoHS (3) | Lead finish/ Ball material (4) | MSL rating/ Peak reflow (5) | Op temp (°C) | Part marking (6) |
|----------------------------------|---------------|----------------------|-----------------|---------------------------|-------------|--------------------------------------|-----------------------------------|--------------|------------------------|
| TMS320F28035PNTR.A | Active | Production | LQFP (PN) 80 | 1000 LARGE T&R | Yes | NIPDAU | Level-3-260C-168 HR | -40 to 125 | F28035PNT TMS320 |
| TMS320F28035PNTR.B | Active | Production | LQFP (PN) 80 | 1000 LARGE T&R | Yes | NIPDAU | Level-3-260C-168 HR | -40 to 125 | F28035PNT TMS320 |
| TMS320F28035RSHS | Active | Production | VQFN (RSH) 56 | 260 JEDEC TRAY (5+1) | Yes | NIPDAU | Level-3-260C-168 HR | -40 to 125 | F28035RSHS S320 980 |
| TMS320F28035RSHS.B | Active | Production | VQFN (RSH) 56 | 260 JEDEC TRAY (5+1) | Yes | NIPDAU | Level-3-260C-168 HR | -40 to 125 | F28035RSHS S320 980 |
| TMS320F28035RSHT | Active | Production | VQFN (RSH) 56 | 260 JEDEC TRAY (5+1) | Yes | NIPDAU | Level-3-260C-168 HR | -40 to 105 | F28035RSHT S320 980 |
| TMS320F28035RSHT.B | Active | Production | VQFN (RSH) 56 | 260 JEDEC TRAY (5+1) | Yes | NIPDAU | Level-3-260C-168 HR | -40 to 125 | F28035RSHT S320 980 |

(1) **Status:** For more details on status, see our [product life cycle](#).

(2) **Material type:** When designated, preproduction parts are prototypes/experimental devices, and are not yet approved or released for full production. Testing and final process, including without limitation quality assurance, reliability performance testing, and/or process qualification, may not yet be complete, and this item is subject to further changes or possible discontinuation. If available for ordering, purchases will be subject to an additional waiver at checkout, and are intended for early internal evaluation purposes only. These items are sold without warranties of any kind.

(3) **RoHS values:** Yes, No, RoHS Exempt. See the [TI RoHS Statement](#) for additional information and value definition.

(4) **Lead finish/Ball material:** Parts may have multiple material finish options. Finish options are separated by a vertical ruled line. Lead finish/Ball material values may wrap to two lines if the finish value exceeds the maximum column width.

(5) **MSL rating/Peak reflow:** The moisture sensitivity level ratings and peak solder (reflow) temperatures. In the event that a part has multiple moisture sensitivity ratings, only the lowest level per JEDEC standards is shown. Refer to the shipping label for the actual reflow temperature that will be used to mount the part to the printed circuit board.

(6) **Part marking:** There may be an additional marking, which relates to the logo, the lot trace code information, or the environmental category of the part.

Multiple part markings will be inside parentheses. Only one part marking contained in parentheses and separated by a "~" will appear on a part. If a line is indented then it is a continuation of the previous line and the two combined represent the entire part marking for that device.

Important Information and Disclaimer: The information provided on this page represents TI's knowledge and belief as of the date that it is provided. TI bases its knowledge and belief on information provided by third parties, and makes no representation or warranty as to the accuracy of such information. Efforts are underway to better integrate information from third parties. TI has taken and continues to take reasonable steps to provide representative

and accurate information but may not have conducted destructive testing or chemical analysis on incoming materials and chemicals. TI and TI suppliers consider certain information to be proprietary, and thus CAS numbers and other limited information may not be available for release.

In no event shall TI's liability arising out of such information exceed the total purchase price of the TI part(s) at issue in this document sold by TI to Customer on an annual basis.

OTHER QUALIFIED VERSIONS OF TMS320F28030, TMS320F28030-Q1, TMS320F28031, TMS320F28031-Q1, TMS320F28032, TMS320F28032-Q1, TMS320F28033, TMS320F28033-Q1, TMS320F28034, TMS320F28034-Q1, TMS320F28035, TMS320F28035-Q1 :

- Catalog : [TMS320F28030](#), [TMS320F28031](#), [TMS320F28032](#), [TMS320F28033](#), [TMS320F28034](#), [TMS320F28035](#)

- Automotive : [TMS320F28030-Q1](#), [TMS320F28031-Q1](#), [TMS320F28032-Q1](#), [TMS320F28033-Q1](#), [TMS320F28034-Q1](#), [TMS320F28035-Q1](#)

- Enhanced Product : [TMS320F28035-EP](#), [TMS320F28035-EP](#)

NOTE: Qualified Version Definitions:

- Catalog - TI's standard catalog product

- Automotive - Q100 devices qualified for high-reliability automotive applications targeting zero defects

- Enhanced Product - Supports Defense, Aerospace and Medical Applications

TAPE AND REEL INFORMATION

QUADRANT ASSIGNMENTS FOR PIN 1 ORIENTATION IN TAPE

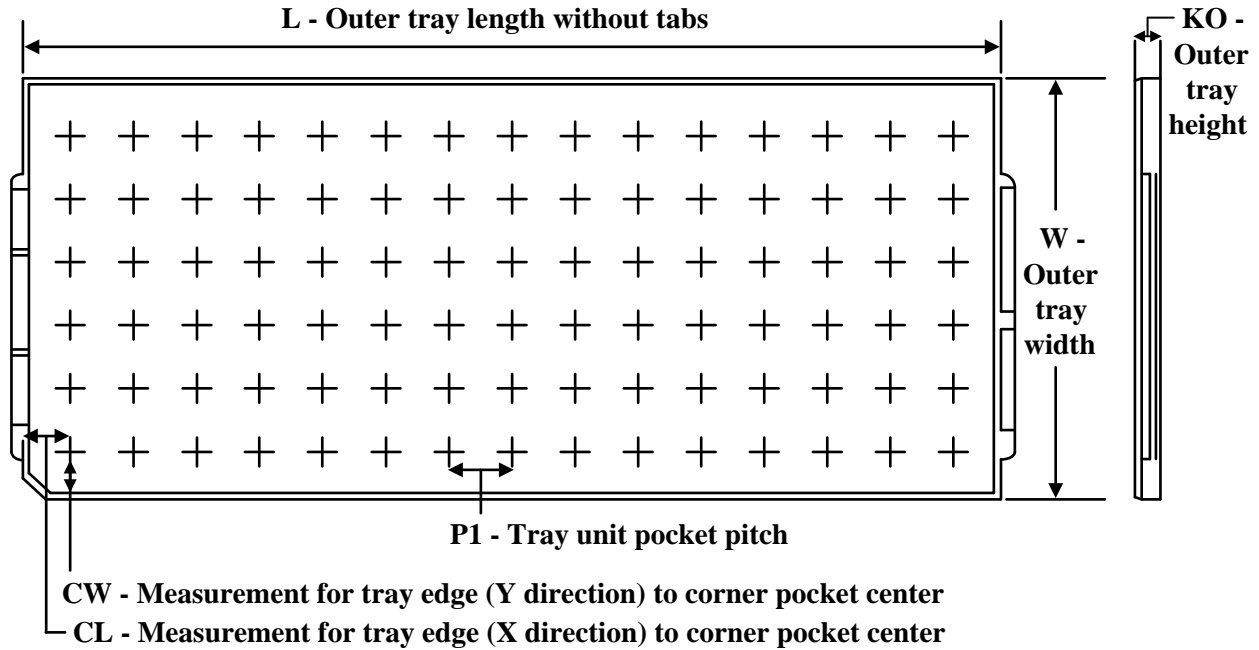

*All dimensions are nominal

| Device | Package Type | Package Drawing | Pins | SPQ | Reel Diameter (mm) | Reel Width W1 (mm) | A0 (mm) | B0 (mm) | K0 (mm) | P1 (mm) | W (mm) | Pin1 Quadrant |
|-------------------|--------------|-----------------|------|------|--------------------|--------------------|---------|---------|---------|---------|--------|---------------|
| TMS320F28032PNTR | LQFP | PN | 80 | 1000 | 330.0 | 24.4 | 16.0 | 16.0 | 2.0 | 24.0 | 24.0 | Q2 |
| TMS320F28034PAGQR | TQFP | PAG | 64 | 1500 | 330.0 | 24.4 | 13.0 | 13.0 | 1.5 | 16.0 | 24.0 | Q2 |
| TMS320F28035PAGTR | TQFP | PAG | 64 | 1500 | 330.0 | 24.4 | 13.0 | 13.0 | 1.5 | 16.0 | 24.0 | Q2 |
| TMS320F28035PNQR | LQFP | PN | 80 | 1000 | 330.0 | 24.4 | 16.0 | 16.0 | 2.0 | 24.0 | 24.0 | Q2 |

TAPE AND REEL BOX DIMENSIONS


*All dimensions are nominal

| Device | Package Type | Package Drawing | Pins | SPQ | Length (mm) | Width (mm) | Height (mm) |
|-------------------|--------------|-----------------|------|------|-------------|------------|-------------|
| TMS320F28032PNTR | LQFP | PN | 80 | 1000 | 367.0 | 367.0 | 55.0 |
| TMS320F28034PAGQR | TQFP | PAG | 64 | 1500 | 367.0 | 367.0 | 55.0 |
| TMS320F28035PAGTR | TQFP | PAG | 64 | 1500 | 367.0 | 367.0 | 55.0 |
| TMS320F28035PNQR | LQFP | PN | 80 | 1000 | 367.0 | 367.0 | 55.0 |

TRAY


Chamfer on Tray corner indicates Pin 1 orientation of packed units.

*All dimensions are nominal

| Device | Package Name | Package Type | Pins | SPQ | Unit array matrix | Max temperature (°C) | L (mm) | W (mm) | K0 (µm) | P1 (mm) | CL (mm) | CW (mm) |
|----------------------|--------------|--------------|------|-----|-------------------|----------------------|--------|--------|---------|---------|---------|---------|
| TMS320F28030PAGQ | PAG | TQFP | 64 | 160 | 8 x 20 | 150 | 315 | 135.9 | 7620 | 15.2 | 13.1 | 13 |
| TMS320F28030PAGQ.A | PAG | TQFP | 64 | 160 | 8 x 20 | 150 | 315 | 135.9 | 7620 | 15.2 | 13.1 | 13 |
| TMS320F28030PAGQ.B | PAG | TQFP | 64 | 160 | 8 x 20 | 150 | 315 | 135.9 | 7620 | 15.2 | 13.1 | 13 |
| TMS320F28030PAGS | PAG | TQFP | 64 | 160 | 8 x 20 | 150 | 315 | 135.9 | 7620 | 15.2 | 13.1 | 13 |
| TMS320F28030PAGS.A | PAG | TQFP | 64 | 160 | 8 x 20 | 150 | 315 | 135.9 | 7620 | 15.2 | 13.1 | 13 |
| TMS320F28030PAGS.B | PAG | TQFP | 64 | 160 | 8 x 20 | 150 | 315 | 135.9 | 7620 | 15.2 | 13.1 | 13 |
| TMS320F28030PAGT | PAG | TQFP | 64 | 160 | 8 x 20 | 150 | 315 | 135.9 | 7620 | 15.2 | 13.1 | 13 |
| TMS320F28030PAGT.A | PAG | TQFP | 64 | 160 | 8 x 20 | 150 | 315 | 135.9 | 7620 | 15.2 | 13.1 | 13 |
| TMS320F28030PAGT.B | PAG | TQFP | 64 | 160 | 8 x 20 | 150 | 315 | 135.9 | 7620 | 15.2 | 13.1 | 13 |
| TMS320F28030PAGTG4 | PAG | TQFP | 64 | 160 | 8 x 20 | 150 | 315 | 135.9 | 7620 | 15.2 | 13.1 | 13 |
| TMS320F28030PAGTG4.A | PAG | TQFP | 64 | 160 | 8 x 20 | 150 | 315 | 135.9 | 7620 | 15.2 | 13.1 | 13 |
| TMS320F28030PAGTG4.B | PAG | TQFP | 64 | 160 | 8 x 20 | 150 | 315 | 135.9 | 7620 | 15.2 | 13.1 | 13 |
| TMS320F28030PNQ | PN | LQFP | 80 | 119 | 7 X 17 | 150 | 315 | 135.9 | 7620 | 17.9 | 14.3 | 13.95 |
| TMS320F28030PNQ.A | PN | LQFP | 80 | 119 | 7 X 17 | 150 | 315 | 135.9 | 7620 | 17.9 | 14.3 | 13.95 |
| TMS320F28030PNQ.B | PN | LQFP | 80 | 119 | 7 X 17 | 150 | 315 | 135.9 | 7620 | 17.9 | 14.3 | 13.95 |
| TMS320F28030PNS | PN | LQFP | 80 | 119 | 7 X 17 | 150 | 315 | 135.9 | 7620 | 17.9 | 14.3 | 13.95 |
| TMS320F28030PNS.A | PN | LQFP | 80 | 119 | 7 X 17 | 150 | 315 | 135.9 | 7620 | 17.9 | 14.3 | 13.95 |

| Device | Package Name | Package Type | Pins | SPQ | Unit array matrix | Max temperature (°C) | L (mm) | W (mm) | K0 (µm) | P1 (mm) | CL (mm) | CW (mm) |
|--------------------|--------------|--------------|------|-----|-------------------|----------------------|--------|--------|---------|---------|---------|---------|
| TMS320F28030PNS.B | PN | LQFP | 80 | 119 | 7 X 17 | 150 | 315 | 135.9 | 7620 | 17.9 | 14.3 | 13.95 |
| TMS320F28030PNT | PN | LQFP | 80 | 119 | 7 X 17 | 150 | 315 | 135.9 | 7620 | 17.9 | 14.3 | 13.95 |
| TMS320F28030PNT.A | PN | LQFP | 80 | 119 | 7 X 17 | 150 | 315 | 135.9 | 7620 | 17.9 | 14.3 | 13.95 |
| TMS320F28030PNT.B | PN | LQFP | 80 | 119 | 7 X 17 | 150 | 315 | 135.9 | 7620 | 17.9 | 14.3 | 13.95 |
| TMS320F28030RSHS | RSH | VQFN | 56 | 260 | 26 x 10 | 150 | 315 | 135.9 | 7620 | 11.8 | 10 | 10.35 |
| TMS320F28030RSHT | RSH | VQFN | 56 | 260 | 26 x 10 | 150 | 315 | 135.9 | 7620 | 11.8 | 10 | 10.35 |
| TMS320F28030RSHT.A | RSH | VQFN | 56 | 260 | 26 x 10 | 150 | 315 | 135.9 | 7620 | 11.8 | 10 | 10.35 |
| TMS320F28030RSHT.B | RSH | VQFN | 56 | 260 | 26 x 10 | 150 | 315 | 135.9 | 7620 | 11.8 | 10 | 10.35 |
| TMS320F28031PAGQ | PAG | TQFP | 64 | 160 | 8 x 20 | 150 | 315 | 135.9 | 7620 | 15.2 | 13.1 | 13 |
| TMS320F28031PAGQ.A | PAG | TQFP | 64 | 160 | 8 x 20 | 150 | 315 | 135.9 | 7620 | 15.2 | 13.1 | 13 |
| TMS320F28031PAGQ.B | PAG | TQFP | 64 | 160 | 8 x 20 | 150 | 315 | 135.9 | 7620 | 15.2 | 13.1 | 13 |
| TMS320F28031PAGS | PAG | TQFP | 64 | 160 | 8 x 20 | 150 | 315 | 135.9 | 7620 | 15.2 | 13.1 | 13 |
| TMS320F28031PAGS.A | PAG | TQFP | 64 | 160 | 8 x 20 | 150 | 315 | 135.9 | 7620 | 15.2 | 13.1 | 13 |
| TMS320F28031PAGS.B | PAG | TQFP | 64 | 160 | 8 x 20 | 150 | 315 | 135.9 | 7620 | 15.2 | 13.1 | 13 |
| TMS320F28031PAGT | PAG | TQFP | 64 | 160 | 8 x 20 | 150 | 315 | 135.9 | 7620 | 15.2 | 13.1 | 13 |
| TMS320F28031PAGT.A | PAG | TQFP | 64 | 160 | 8 x 20 | 150 | 315 | 135.9 | 7620 | 15.2 | 13.1 | 13 |
| TMS320F28031PAGT.B | PAG | TQFP | 64 | 160 | 8 x 20 | 150 | 315 | 135.9 | 7620 | 15.2 | 13.1 | 13 |
| TMS320F28031PNQ | PN | LQFP | 80 | 119 | 7 X 17 | 150 | 315 | 135.9 | 7620 | 17.9 | 14.3 | 13.95 |
| TMS320F28031PNQ.A | PN | LQFP | 80 | 119 | 7 X 17 | 150 | 315 | 135.9 | 7620 | 17.9 | 14.3 | 13.95 |
| TMS320F28031PNQ.B | PN | LQFP | 80 | 119 | 7 X 17 | 150 | 315 | 135.9 | 7620 | 17.9 | 14.3 | 13.95 |
| TMS320F28031PNS | PN | LQFP | 80 | 119 | 7 X 17 | 150 | 315 | 135.9 | 7620 | 17.9 | 14.3 | 13.95 |
| TMS320F28031PNS.A | PN | LQFP | 80 | 119 | 7 X 17 | 150 | 315 | 135.9 | 7620 | 17.9 | 14.3 | 13.95 |
| TMS320F28031PNS.B | PN | LQFP | 80 | 119 | 7 X 17 | 150 | 315 | 135.9 | 7620 | 17.9 | 14.3 | 13.95 |
| TMS320F28031PNT | PN | LQFP | 80 | 119 | 7 X 17 | 150 | 315 | 135.9 | 7620 | 17.9 | 14.3 | 13.95 |
| TMS320F28031PNT.A | PN | LQFP | 80 | 119 | 7 X 17 | 150 | 315 | 135.9 | 7620 | 17.9 | 14.3 | 13.95 |
| TMS320F28031PNT.B | PN | LQFP | 80 | 119 | 7 X 17 | 150 | 315 | 135.9 | 7620 | 17.9 | 14.3 | 13.95 |
| TMS320F28031RSHS | RSH | VQFN | 56 | 260 | 26 x 10 | 150 | 315 | 135.9 | 7620 | 11.8 | 10 | 10.35 |
| TMS320F28031RSHS.A | RSH | VQFN | 56 | 260 | 26 x 10 | 150 | 315 | 135.9 | 7620 | 11.8 | 10 | 10.35 |
| TMS320F28031RSHS.B | RSH | VQFN | 56 | 260 | 26 x 10 | 150 | 315 | 135.9 | 7620 | 11.8 | 10 | 10.35 |
| TMS320F28032PAGQ | PAG | TQFP | 64 | 160 | 8 x 20 | 150 | 315 | 135.9 | 7620 | 15.2 | 13.1 | 13 |
| TMS320F28032PAGQ.A | PAG | TQFP | 64 | 160 | 8 x 20 | 150 | 315 | 135.9 | 7620 | 15.2 | 13.1 | 13 |
| TMS320F28032PAGQ.B | PAG | TQFP | 64 | 160 | 8 x 20 | 150 | 315 | 135.9 | 7620 | 15.2 | 13.1 | 13 |
| TMS320F28032PAGS | PAG | TQFP | 64 | 160 | 8 x 20 | 150 | 315 | 135.9 | 7620 | 15.2 | 13.1 | 13 |
| TMS320F28032PAGS.A | PAG | TQFP | 64 | 160 | 8 x 20 | 150 | 315 | 135.9 | 7620 | 15.2 | 13.1 | 13 |
| TMS320F28032PAGS.B | PAG | TQFP | 64 | 160 | 8 x 20 | 150 | 315 | 135.9 | 7620 | 15.2 | 13.1 | 13 |
| TMS320F28032PAGT | PAG | TQFP | 64 | 160 | 8 x 20 | 150 | 315 | 135.9 | 7620 | 15.2 | 13.1 | 13 |
| TMS320F28032PAGT.A | PAG | TQFP | 64 | 160 | 8 x 20 | 150 | 315 | 135.9 | 7620 | 15.2 | 13.1 | 13 |
| TMS320F28032PAGT.B | PAG | TQFP | 64 | 160 | 8 x 20 | 150 | 315 | 135.9 | 7620 | 15.2 | 13.1 | 13 |
| TMS320F28032PNQ | PN | LQFP | 80 | 119 | 7 X 17 | 150 | 315 | 135.9 | 7620 | 17.9 | 14.3 | 13.95 |
| TMS320F28032PNQ.A | PN | LQFP | 80 | 119 | 7 X 17 | 150 | 315 | 135.9 | 7620 | 17.9 | 14.3 | 13.95 |
| TMS320F28032PNQ.B | PN | LQFP | 80 | 119 | 7 X 17 | 150 | 315 | 135.9 | 7620 | 17.9 | 14.3 | 13.95 |

| Device | Package Name | Package Type | Pins | SPQ | Unit array matrix | Max temperature (°C) | L (mm) | W (mm) | K0 (µm) | P1 (mm) | CL (mm) | CW (mm) |
|--------------------|--------------|--------------|------|-----|-------------------|----------------------|--------|--------|---------|---------|---------|---------|
| TMS320F28032PNS | PN | LQFP | 80 | 119 | 7 X 17 | 150 | 315 | 135.9 | 7620 | 17.9 | 14.3 | 13.95 |
| TMS320F28032PNS.A | PN | LQFP | 80 | 119 | 7 X 17 | 150 | 315 | 135.9 | 7620 | 17.9 | 14.3 | 13.95 |
| TMS320F28032PNS.B | PN | LQFP | 80 | 119 | 7 X 17 | 150 | 315 | 135.9 | 7620 | 17.9 | 14.3 | 13.95 |
| TMS320F28032PNT | PN | LQFP | 80 | 119 | 7 X 17 | 150 | 315 | 135.9 | 7620 | 17.9 | 14.3 | 13.95 |
| TMS320F28032PNT.A | PN | LQFP | 80 | 119 | 7 X 17 | 150 | 315 | 135.9 | 7620 | 17.9 | 14.3 | 13.95 |
| TMS320F28032PNT.B | PN | LQFP | 80 | 119 | 7 X 17 | 150 | 315 | 135.9 | 7620 | 17.9 | 14.3 | 13.95 |
| TMS320F28032RSHS | RSH | VQFN | 56 | 260 | 26 x 10 | 150 | 315 | 135.9 | 7620 | 11.8 | 10 | 10.35 |
| TMS320F28032RSHT | RSH | VQFN | 56 | 260 | 26 x 10 | 150 | 315 | 135.9 | 7620 | 11.8 | 10 | 10.35 |
| TMS320F28032RSHT.A | RSH | VQFN | 56 | 260 | 26 x 10 | 150 | 315 | 135.9 | 7620 | 11.8 | 10 | 10.35 |
| TMS320F28032RSHT.B | RSH | VQFN | 56 | 260 | 26 x 10 | 150 | 315 | 135.9 | 7620 | 11.8 | 10 | 10.35 |
| TMS320F28033P1PAGS | PAG | TQFP | 64 | 160 | 8 x 20 | 150 | 315 | 135.9 | 7620 | 15.2 | 13.1 | 13 |
| TMS320F28033PAGQ | PAG | TQFP | 64 | 160 | 8 x 20 | 150 | 315 | 135.9 | 7620 | 15.2 | 13.1 | 13 |
| TMS320F28033PAGQ.A | PAG | TQFP | 64 | 160 | 8 x 20 | 150 | 315 | 135.9 | 7620 | 15.2 | 13.1 | 13 |
| TMS320F28033PAGQ.B | PAG | TQFP | 64 | 160 | 8 x 20 | 150 | 315 | 135.9 | 7620 | 15.2 | 13.1 | 13 |
| TMS320F28033PAGS | PAG | TQFP | 64 | 160 | 8 x 20 | 150 | 315 | 135.9 | 7620 | 15.2 | 13.1 | 13 |
| TMS320F28033PAGS.A | PAG | TQFP | 64 | 160 | 8 x 20 | 150 | 315 | 135.9 | 7620 | 15.2 | 13.1 | 13 |
| TMS320F28033PAGS.B | PAG | TQFP | 64 | 160 | 8 x 20 | 150 | 315 | 135.9 | 7620 | 15.2 | 13.1 | 13 |
| TMS320F28033PAGT | PAG | TQFP | 64 | 160 | 8 x 20 | 150 | 315 | 135.9 | 7620 | 15.2 | 13.1 | 13 |
| TMS320F28033PAGT.A | PAG | TQFP | 64 | 160 | 8 x 20 | 150 | 315 | 135.9 | 7620 | 15.2 | 13.1 | 13 |
| TMS320F28033PAGT.B | PAG | TQFP | 64 | 160 | 8 x 20 | 150 | 315 | 135.9 | 7620 | 15.2 | 13.1 | 13 |
| TMS320F28033PNQ | PN | LQFP | 80 | 119 | 7 X 17 | 150 | 315 | 135.9 | 7620 | 17.9 | 14.3 | 13.95 |
| TMS320F28033PNQ.A | PN | LQFP | 80 | 119 | 7 X 17 | 150 | 315 | 135.9 | 7620 | 17.9 | 14.3 | 13.95 |
| TMS320F28033PNQ.B | PN | LQFP | 80 | 119 | 7 X 17 | 150 | 315 | 135.9 | 7620 | 17.9 | 14.3 | 13.95 |
| TMS320F28033PNS | PN | LQFP | 80 | 119 | 7 X 17 | 150 | 315 | 135.9 | 7620 | 17.9 | 14.3 | 13.95 |
| TMS320F28033PNS.A | PN | LQFP | 80 | 119 | 7 X 17 | 150 | 315 | 135.9 | 7620 | 17.9 | 14.3 | 13.95 |
| TMS320F28033PNS.B | PN | LQFP | 80 | 119 | 7 X 17 | 150 | 315 | 135.9 | 7620 | 17.9 | 14.3 | 13.95 |
| TMS320F28033PNT | PN | LQFP | 80 | 119 | 7 X 17 | 150 | 315 | 135.9 | 7620 | 17.9 | 14.3 | 13.95 |
| TMS320F28033PNT.A | PN | LQFP | 80 | 119 | 7 X 17 | 150 | 315 | 135.9 | 7620 | 17.9 | 14.3 | 13.95 |
| TMS320F28033PNT.B | PN | LQFP | 80 | 119 | 7 X 17 | 150 | 315 | 135.9 | 7620 | 17.9 | 14.3 | 13.95 |
| TMS320F28033RSHS | RSH | VQFN | 56 | 260 | 26 x 10 | 150 | 315 | 135.9 | 7620 | 11.8 | 10 | 10.35 |
| TMS320F28033RSHS.A | RSH | VQFN | 56 | 260 | 26 x 10 | 150 | 315 | 135.9 | 7620 | 11.8 | 10 | 10.35 |
| TMS320F28033RSHS.B | RSH | VQFN | 56 | 260 | 26 x 10 | 150 | 315 | 135.9 | 7620 | 11.8 | 10 | 10.35 |
| TMS320F28034PAGQ | PAG | TQFP | 64 | 160 | 8 x 20 | 150 | 315 | 135.9 | 7620 | 15.2 | 13.1 | 13 |
| TMS320F28034PAGQ.A | PAG | TQFP | 64 | 160 | 8 x 20 | 150 | 315 | 135.9 | 7620 | 15.2 | 13.1 | 13 |
| TMS320F28034PAGQ.B | PAG | TQFP | 64 | 160 | 8 x 20 | 150 | 315 | 135.9 | 7620 | 15.2 | 13.1 | 13 |
| TMS320F28034PAGS | PAG | TQFP | 64 | 160 | 8 x 20 | 150 | 315 | 135.9 | 7620 | 15.2 | 13.1 | 13 |
| TMS320F28034PAGS.A | PAG | TQFP | 64 | 160 | 8 x 20 | 150 | 315 | 135.9 | 7620 | 15.2 | 13.1 | 13 |
| TMS320F28034PAGS.B | PAG | TQFP | 64 | 160 | 8 x 20 | 150 | 315 | 135.9 | 7620 | 15.2 | 13.1 | 13 |
| TMS320F28034PAGT | PAG | TQFP | 64 | 160 | 8 x 20 | 150 | 315 | 135.9 | 7620 | 15.2 | 13.1 | 13 |
| TMS320F28034PAGT.A | PAG | TQFP | 64 | 160 | 8 x 20 | 150 | 315 | 135.9 | 7620 | 15.2 | 13.1 | 13 |
| TMS320F28034PAGT.B | PAG | TQFP | 64 | 160 | 8 x 20 | 150 | 315 | 135.9 | 7620 | 15.2 | 13.1 | 13 |

| Device | Package Name | Package Type | Pins | SPQ | Unit array matrix | Max temperature (°C) | L (mm) | W (mm) | K0 (µm) | P1 (mm) | CL (mm) | CW (mm) |
|---------------------|--------------|--------------|------|-----|-------------------|----------------------|--------|--------|---------|---------|---------|---------|
| TMS320F28034PNQ | PN | LQFP | 80 | 119 | 7 X 17 | 150 | 315 | 135.9 | 7620 | 17.9 | 14.3 | 13.95 |
| TMS320F28034PNQ.A | PN | LQFP | 80 | 119 | 7 X 17 | 150 | 315 | 135.9 | 7620 | 17.9 | 14.3 | 13.95 |
| TMS320F28034PNQ.B | PN | LQFP | 80 | 119 | 7 X 17 | 150 | 315 | 135.9 | 7620 | 17.9 | 14.3 | 13.95 |
| TMS320F28034PNS | PN | LQFP | 80 | 119 | 7 X 17 | 150 | 315 | 135.9 | 7620 | 17.9 | 14.3 | 13.95 |
| TMS320F28034PNS.A | PN | LQFP | 80 | 119 | 7 X 17 | 150 | 315 | 135.9 | 7620 | 17.9 | 14.3 | 13.95 |
| TMS320F28034PNS.B | PN | LQFP | 80 | 119 | 7 X 17 | 150 | 315 | 135.9 | 7620 | 17.9 | 14.3 | 13.95 |
| TMS320F28034PNT | PN | LQFP | 80 | 119 | 7 X 17 | 150 | 315 | 135.9 | 7620 | 17.9 | 14.3 | 13.95 |
| TMS320F28034PNT.A | PN | LQFP | 80 | 119 | 7 X 17 | 150 | 315 | 135.9 | 7620 | 17.9 | 14.3 | 13.95 |
| TMS320F28034PNT.B | PN | LQFP | 80 | 119 | 7 X 17 | 150 | 315 | 135.9 | 7620 | 17.9 | 14.3 | 13.95 |
| TMS320F28034RSHS | RSH | VQFN | 56 | 260 | 26 x 10 | 150 | 315 | 135.9 | 7620 | 11.8 | 10 | 10.35 |
| TMS320F28034RSHS.B | RSH | VQFN | 56 | 260 | 26 x 10 | 150 | 315 | 135.9 | 7620 | 11.8 | 10 | 10.35 |
| TMS320F28034RSHT | RSH | VQFN | 56 | 260 | 26 x 10 | 150 | 315 | 135.9 | 7620 | 11.8 | 10 | 10.35 |
| TMS320F28034RSHT.B | RSH | VQFN | 56 | 260 | 26 x 10 | 150 | 315 | 135.9 | 7620 | 11.8 | 10 | 10.35 |
| TMS320F28035PAGQ | PAG | TQFP | 64 | 160 | 8 x 20 | 150 | 315 | 135.9 | 7620 | 15.2 | 13.1 | 13 |
| TMS320F28035PAGQ.A | PAG | TQFP | 64 | 160 | 8 x 20 | 150 | 315 | 135.9 | 7620 | 15.2 | 13.1 | 13 |
| TMS320F28035PAGQ.B | PAG | TQFP | 64 | 160 | 8 x 20 | 150 | 315 | 135.9 | 7620 | 15.2 | 13.1 | 13 |
| TMS320F28035PAGS | PAG | TQFP | 64 | 160 | 8 x 20 | 150 | 315 | 135.9 | 7620 | 15.2 | 13.1 | 13 |
| TMS320F28035PAGS.A | PAG | TQFP | 64 | 160 | 8 x 20 | 150 | 315 | 135.9 | 7620 | 15.2 | 13.1 | 13 |
| TMS320F28035PAGS.B | PAG | TQFP | 64 | 160 | 8 x 20 | 150 | 315 | 135.9 | 7620 | 15.2 | 13.1 | 13 |
| TMS320F28035PAGT | PAG | TQFP | 64 | 160 | 8 x 20 | 150 | 315 | 135.9 | 7620 | 15.2 | 13.1 | 13 |
| TMS320F28035PAGT.A | PAG | TQFP | 64 | 160 | 8 x 20 | 150 | 315 | 135.9 | 7620 | 15.2 | 13.1 | 13 |
| TMS320F28035PAGT.B | PAG | TQFP | 64 | 160 | 8 x 20 | 150 | 315 | 135.9 | 7620 | 15.2 | 13.1 | 13 |
| TMS320F28035PNQ | PN | LQFP | 80 | 119 | 7 X 17 | 150 | 315 | 135.9 | 7620 | 17.9 | 14.3 | 13.95 |
| TMS320F28035PNQ.A | PN | LQFP | 80 | 119 | 7 X 17 | 150 | 315 | 135.9 | 7620 | 17.9 | 14.3 | 13.95 |
| TMS320F28035PNQ.B | PN | LQFP | 80 | 119 | 7 X 17 | 150 | 315 | 135.9 | 7620 | 17.9 | 14.3 | 13.95 |
| TMS320F28035PNS | PN | LQFP | 80 | 119 | 7 X 17 | 150 | 315 | 135.9 | 7620 | 17.9 | 14.3 | 13.95 |
| TMS320F28035PNS.A | PN | LQFP | 80 | 119 | 7 X 17 | 150 | 315 | 135.9 | 7620 | 17.9 | 14.3 | 13.95 |
| TMS320F28035PNS.B | PN | LQFP | 80 | 119 | 7 X 17 | 150 | 315 | 135.9 | 7620 | 17.9 | 14.3 | 13.95 |
| TMS320F28035PNSG4 | PN | LQFP | 80 | 119 | 7 X 17 | 150 | 315 | 135.9 | 7620 | 17.9 | 14.3 | 13.95 |
| TMS320F28035PNSG4.A | PN | LQFP | 80 | 119 | 7 X 17 | 150 | 315 | 135.9 | 7620 | 17.9 | 14.3 | 13.95 |
| TMS320F28035PNSG4.B | PN | LQFP | 80 | 119 | 7 X 17 | 150 | 315 | 135.9 | 7620 | 17.9 | 14.3 | 13.95 |
| TMS320F28035PNT | PN | LQFP | 80 | 119 | 7 X 17 | 150 | 315 | 135.9 | 7620 | 17.9 | 14.3 | 13.95 |
| TMS320F28035PNT.A | PN | LQFP | 80 | 119 | 7 X 17 | 150 | 315 | 135.9 | 7620 | 17.9 | 14.3 | 13.95 |
| TMS320F28035PNT.B | PN | LQFP | 80 | 119 | 7 X 17 | 150 | 315 | 135.9 | 7620 | 17.9 | 14.3 | 13.95 |
| TMS320F28035PNTG4 | PN | LQFP | 80 | 119 | 7 X 17 | 150 | 315 | 135.9 | 7620 | 17.9 | 14.3 | 13.95 |
| TMS320F28035PNTG4.A | PN | LQFP | 80 | 119 | 7 X 17 | 150 | 315 | 135.9 | 7620 | 17.9 | 14.3 | 13.95 |
| TMS320F28035PNTG4.B | PN | LQFP | 80 | 119 | 7 X 17 | 150 | 315 | 135.9 | 7620 | 17.9 | 14.3 | 13.95 |
| TMS320F28035RSHS | RSH | VQFN | 56 | 260 | 26 x 10 | 150 | 315 | 135.9 | 7620 | 11.8 | 10 | 10.35 |
| TMS320F28035RSHS.B | RSH | VQFN | 56 | 260 | 26 x 10 | 150 | 315 | 135.9 | 7620 | 11.8 | 10 | 10.35 |
| TMS320F28035RSHT | RSH | VQFN | 56 | 260 | 26 x 10 | 150 | 315 | 135.9 | 7620 | 11.8 | 10 | 10.35 |
| TMS320F28035RSHT.B | RSH | VQFN | 56 | 260 | 26 x 10 | 150 | 315 | 135.9 | 7620 | 11.8 | 10 | 10.35 |

PAG (S-PQFP-G64)

PLASTIC QUAD FLATPACK



- NOTES: A. All linear dimensions are in millimeters.
 B. This drawing is subject to change without notice.
 C. Falls within JEDEC MS-026



- NOTES:
- A. All linear dimensions are in millimeters.
 - B. This drawing is subject to change without notice.
 - C. Laser cutting apertures with trapezoidal walls and also rounding corners will offer better paste release. Customers should contact their board assembly site for stencil design recommendations. Example stencil design based on a 50% volumetric metal load solder paste. Refer to IPC-7525 for other stencil recommendations.
 - D. Customers should contact their board fabrication site for solder mask tolerances between and around signal pads.

PAG (S-PQFP-G64)

PLASTIC QUAD FLATPACK



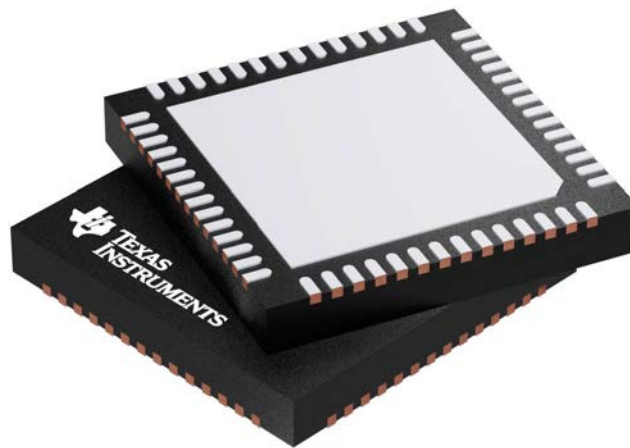
- NOTES:
- A. All linear dimensions are in millimeters.
 - B. This drawing is subject to change without notice.
 - C. Laser cutting apertures with trapezoidal walls and also rounding corners will offer better paste release. Customers should contact their board assembly site for stencil design recommendations. Example stencil design based on a 50% volumetric metal load solder paste. Refer to IPC-7525 for other stencil recommendations.
 - D. Customers should contact their board fabrication site for solder mask tolerances between and around signal pads.

RSH 56

GENERIC PACKAGE VIEW

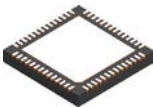
VQFN - 1 mm max height

PLASTIC QUAD FLATPACK - NO LEAD



Images above are just a representation of the package family, actual package may vary.
Refer to the product data sheet for package details.

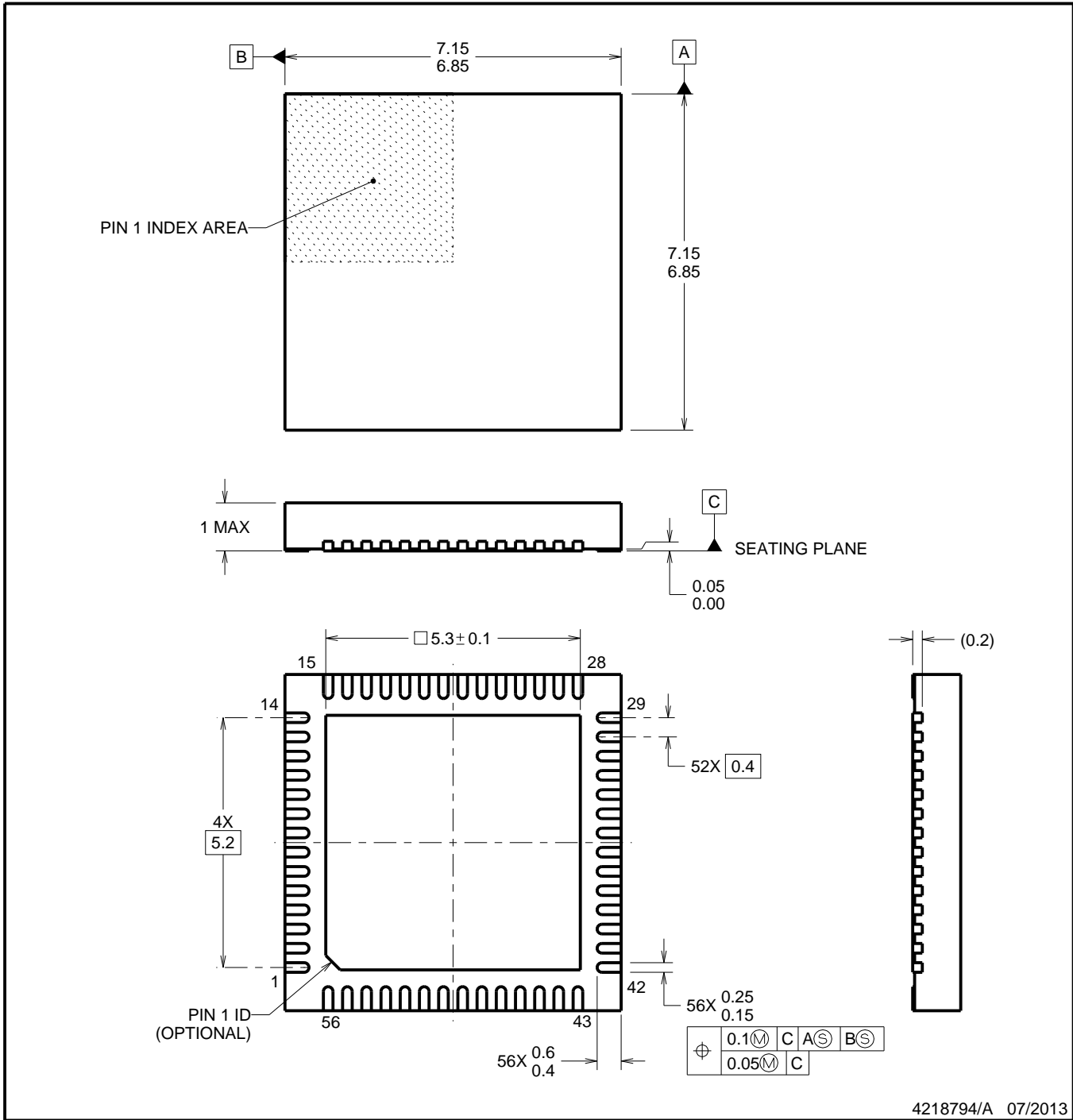
4207513/D



RSH0056D

VQFN - 1 mm max height

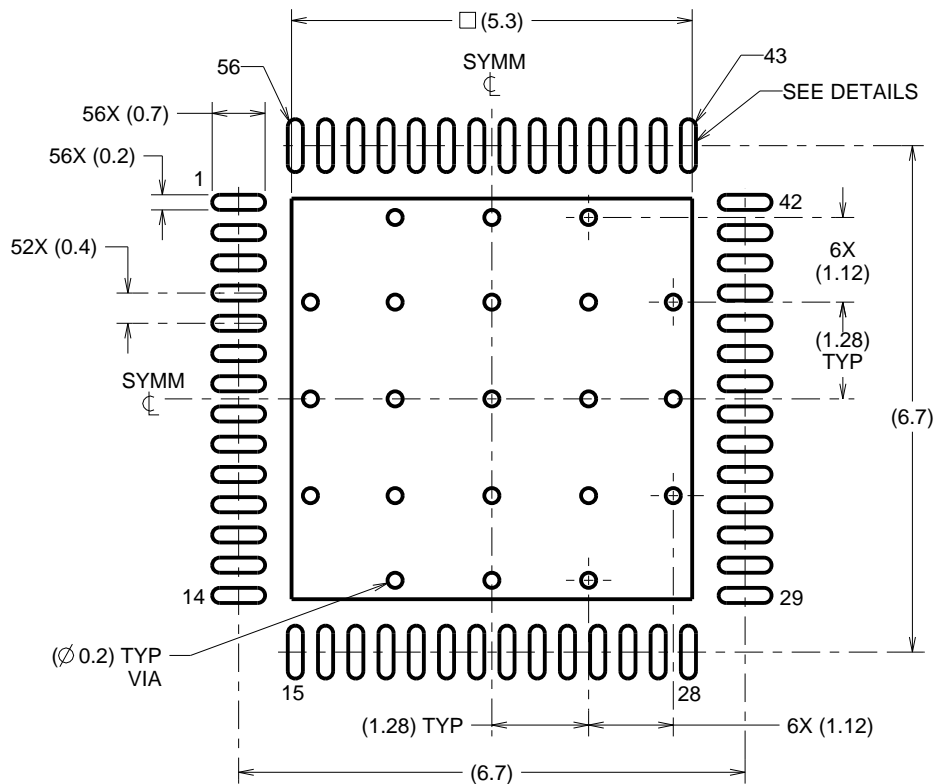
VQFN



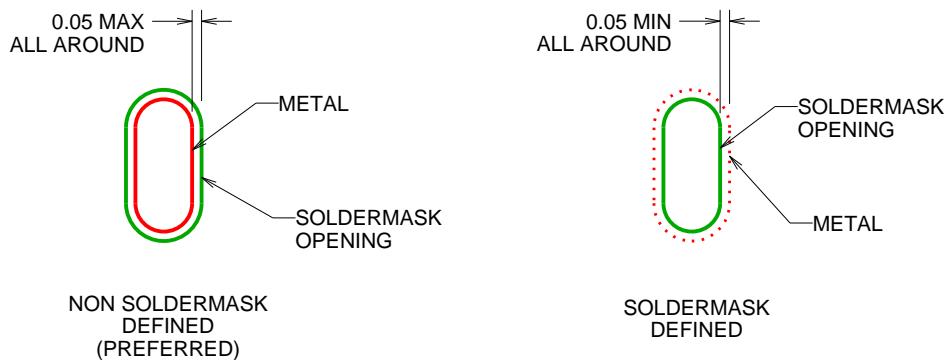
4218794/A 07/2013

NOTES:

1. All linear dimensions are in millimeters. Dimensions in parenthesis are for reference only. Dimensioning and tolerancing per ASME Y14.5M.
2. This drawing is subject to change without notice.
3. The package thermal pad must be soldered to the printed circuit board for thermal and mechanical performance.



LAND PATTERN EXAMPLE
SCALE:10X

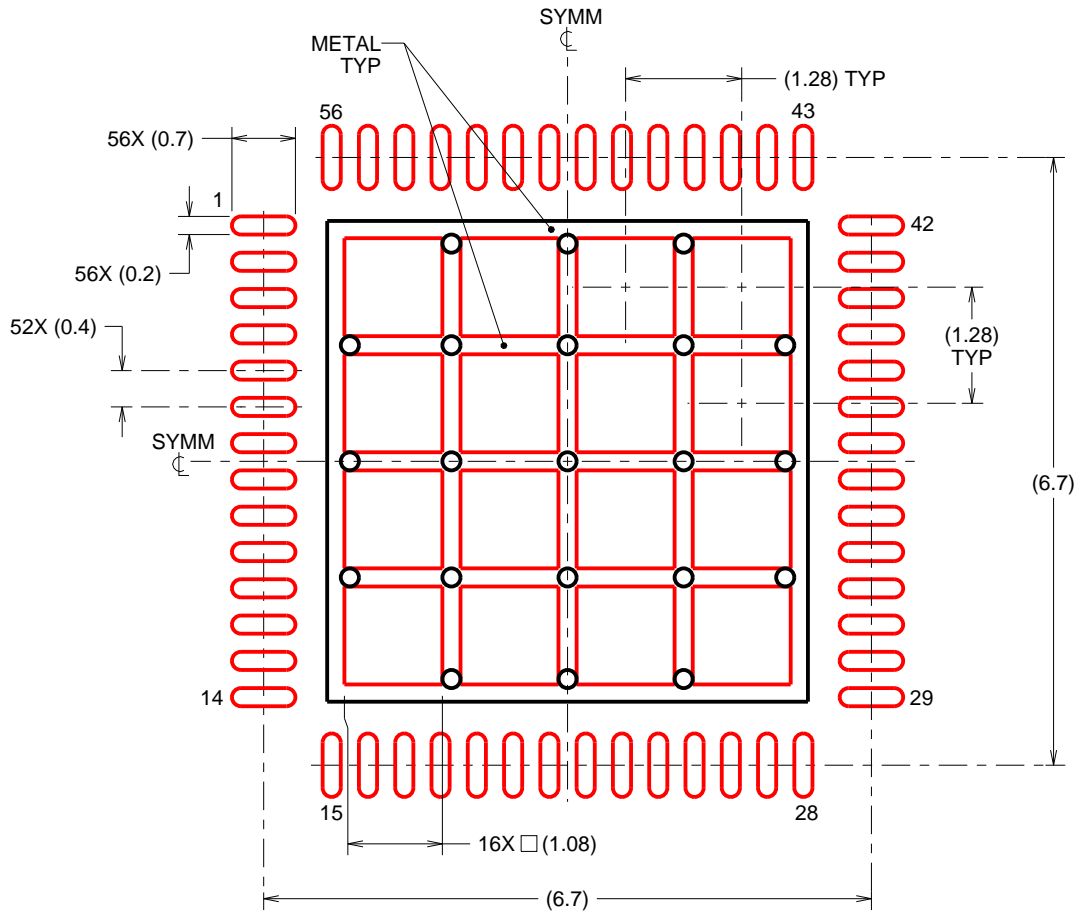


SOLDERMASK DETAILS

4218794/A 07/2013

NOTES: (continued)

4. This package is designed to be soldered to a thermal pad on the board. For more information, refer to QFN/SON PCB application note in literature No. SLUA271 (www.ti.com/lit/slua271).



4218794/A 07/2013

NOTES: (continued)

5. Laser cutting apertures with trapezoidal walls and rounded corners may offer better paste release. IPC-7525 may have alternate design recommendations.

PN0080A



PACKAGE OUTLINE

LQFP - 1.6 mm max height

PLASTIC QUAD FLATPACK



4215166/A 08/2022

NOTES:

1. All linear dimensions are in millimeters. Any dimensions in parenthesis are for reference only. Dimensioning and tolerancing per ASME Y14.5M.
2. This drawing is subject to change without notice.
3. Reference JEDEC registration MS-026.

EXAMPLE BOARD LAYOUT

PN0080A

LQFP - 1.6 mm max height

PLASTIC QUAD FLATPACK



LAND PATTERN EXAMPLE
EXPOSED METAL SHOWN
SCALE:6X



SOLDER MASK DETAILS

4215166/A 08/2022

NOTES: (continued)

4. Publication IPC-7351 may have alternate designs.
5. Solder mask tolerances between and around signal pads can vary based on board fabrication site.
6. For more information, see Texas Instruments literature number SLMA004 (www.ti.com/lit/slma004).

EXAMPLE STENCIL DESIGN

PN0080A

LQFP - 1.6 mm max height

PLASTIC QUAD FLATPACK



4215166/A 08/2022

NOTES: (continued)

7. Laser cutting apertures with trapezoidal walls and rounded corners may offer better paste release. IPC-7525 may have alternate design recommendations.
8. Board assembly site may have different recommendations for stencil design.

IMPORTANT NOTICE AND DISCLAIMER

TI PROVIDES TECHNICAL AND RELIABILITY DATA (INCLUDING DATA SHEETS), DESIGN RESOURCES (INCLUDING REFERENCE DESIGNS), APPLICATION OR OTHER DESIGN ADVICE, WEB TOOLS, SAFETY INFORMATION, AND OTHER RESOURCES "AS IS" AND WITH ALL FAULTS, AND DISCLAIMS ALL WARRANTIES, EXPRESS AND IMPLIED, INCLUDING WITHOUT LIMITATION ANY IMPLIED WARRANTIES OF MERCHANTABILITY, FITNESS FOR A PARTICULAR PURPOSE OR NON-INFRINGEMENT OF THIRD PARTY INTELLECTUAL PROPERTY RIGHTS.

These resources are intended for skilled developers designing with TI products. You are solely responsible for (1) selecting the appropriate TI products for your application, (2) designing, validating and testing your application, and (3) ensuring your application meets applicable standards, and any other safety, security, regulatory or other requirements.

These resources are subject to change without notice. TI grants you permission to use these resources only for development of an application that uses the TI products described in the resource. Other reproduction and display of these resources is prohibited. No license is granted to any other TI intellectual property right or to any third party intellectual property right. TI disclaims responsibility for, and you will fully indemnify TI and its representatives against, any claims, damages, costs, losses, and liabilities arising out of your use of these resources.

TI's products are provided subject to [TI's Terms of Sale](#) or other applicable terms available either on [ti.com](https://www.ti.com) or provided in conjunction with such TI products. TI's provision of these resources does not expand or otherwise alter TI's applicable warranties or warranty disclaimers for TI products.

TI objects to and rejects any additional or different terms you may have proposed.

Mailing Address: Texas Instruments, Post Office Box 655303, Dallas, Texas 75265

Copyright © 2025, Texas Instruments Incorporated