

TCAN1472-Q1 Automotive Fault-Protected CAN FD Transceiver with Signal Improvement Capability (SIC) and Standby Mode

1 Features

- AEC Q100 (Grade 1): Qualified for automotive applications
- [Functional Safety-Capable](#)
 - [Documentation available to aid functional safety system design](#)
- Meets the requirements of ISO 11898-2:2024 standard including CAN SIC specifications of Annex A
- Classical CAN and CAN FD up to 8Mbps
 - Actively improves the bus signal by reducing ringing effects in complex topologies
 - Backward compatible for use in classic CAN networks
- V_{IO} level shifting supports: 1.7V to 5.5V
- Operating Modes
 - Normal mode
 - Low-power standby mode supporting remote wake-up request
- Passive behavior when unpowered
 - Bus and logic terminals are high impedance (no load to operating bus or application)
 - Hot plug capable: power up or down glitch free operation on bus and RXD output
 - Defined device behavior with floating logic pins and in undervoltage supply conditions
- Protection features
 - IEC ESD protection on bus pins
 - $\pm 58V$ CAN bus fault tolerant
 - Undervoltage protection on V_{CC} and V_{IO} (V variants only) supply terminals
 - TXD dominant state timeout (TXD DTO)
 - Thermal shutdown protection (TSD)
- Available in SOIC (8), small footprint SOT-23 (8) and leadless, VSON (8) package with wettable flanks for improved automated optical inspection (AOI) capability

2 Applications

- [Automotive gateway](#)
- [Advanced driver assistance system \(ADAS\)](#)
- [Body electronics and lighting](#)
- [Hybrid, electric & powertrain systems](#)
- [Automotive infotainment & cluster](#)

3 Description

The TCAN1472-Q1 devices are high speed Controller Area Network (CAN) SIC transceiver that meet the physical layer requirements of the ISO 11898-2:2024 Annex A Signal Improvement Capability (SIC) specifications. The devices reduce signal ringing at dominant-to-recessive edge and enable higher throughput in complex network topologies. Signal improvement capability allows the applications to extract real benefit of CAN FD (flexible data rate) by operating at 2Mbps, 5Mbps or higher in large networks with multiple unterminated stubs.

The devices meet the timing specifications mandated by ISO 11898-2:2024 Annex A SIC specifications, and thus have much tighter bit timing symmetry compared to a regular CAN FD transceivers. This provides a larger timing window to sample the correct bit, and enables error-free communication in large complex star networks where ringing and bit distortion are inherent.

These devices are pin-compatible to 8-pin CAN FD transceivers, such as TCAN1044A-Q1 or TCAN1042-Q1.

The TCAN1472-Q1 devices with suffix 'V' include internal logic level translation via the V_{IO} logic supply terminal to allow for interfacing directly to 1.8V, 2.5V, or 3.3V controllers. The transceivers support low power standby mode which allows remote wake-up via CAN bus compliant with ISO 11898-2:2024 defined wake-up pattern (WUP). The device family also includes many protection features such as undervoltage detection, thermal shutdown (TSD), driver dominant timeout (TXD DTO), and $\pm 58V$ bus fault protection.

Package Information

PART NUMBER	PACKAGE ⁽¹⁾	PACKAGE SIZE ⁽²⁾
TCAN1472-Q1	SOT-23 (DDF)	2.9mm x 2.8mm
	VSON (DRB)	3mm x 3mm
	SOIC (D)	4.9mm x 6mm

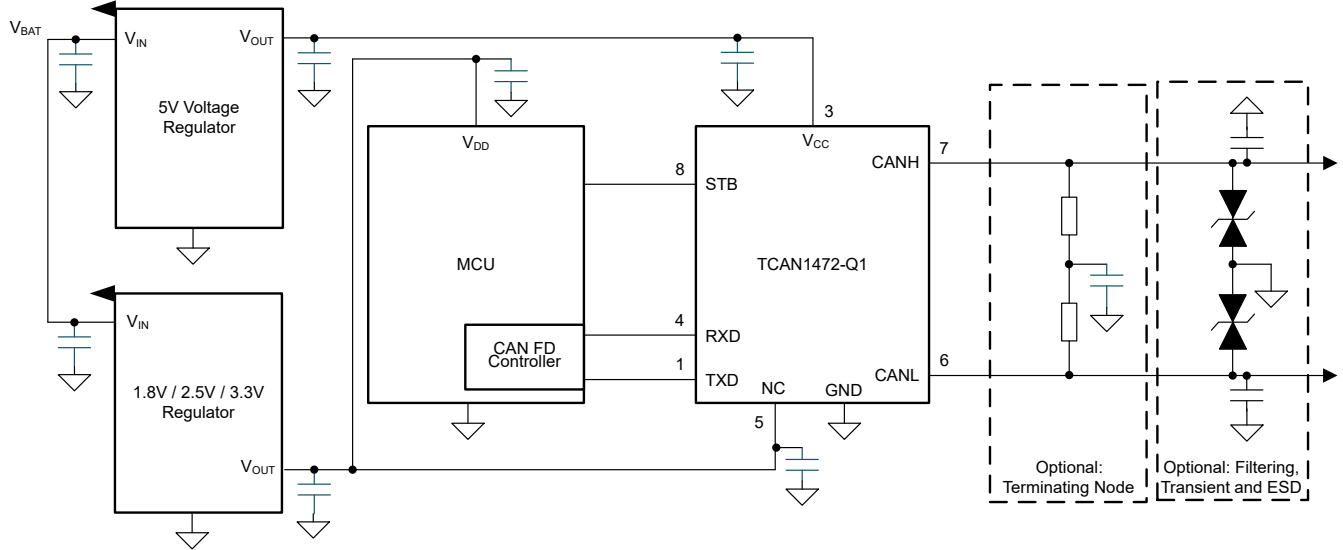
(1) For more information, see [Section 11](#).

(2) The package size (length × width) is a nominal value and includes pins, where applicable.



Device Comparison Table

Device Number	Bus Fault Protection	Low voltage I/O Logic Support on Pin 5	Pin 8 Mode Selection
TCAN1472-Q1	± 58V	No	Low Power Standby Mode with Remote Wake
TCAN1472V-Q1	± 58V	Yes	

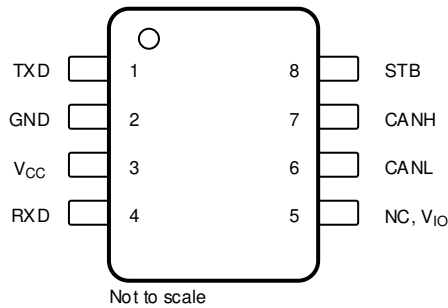


Simplified Block Diagram

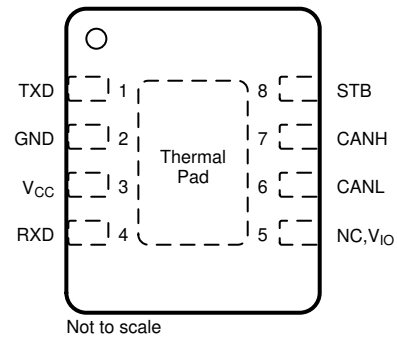
Table of Contents

1 Features	1	7.2 Functional Block Diagram	19
2 Applications	1	7.3 Feature Description	20
3 Description	1	7.4 Device Functional Modes	24
4 Pin Configurations and Functions	4	8 Application and Implementation	26
5 Specifications	5	8.1 Application Information	26
5.1 Absolute Maximum Ratings.....	5	8.2 Typical Application	26
5.2 ESD Ratings	5	8.3 System Examples	29
5.3 ESD Ratings, IEC Transients.....	5	8.4 Power Supply Recommendations	29
5.4 Recommended Operating Conditions.....	6	8.5 Layout	30
5.5 Thermal Characteristics.....	6	9 Device and Documentation Support	31
5.6 Supply Characteristics.....	6	9.1 Receiving Notification of Documentation Updates... 31	
5.7 Dissipation Ratings.....	7	9.2 Support Resources.....	31
5.8 Electrical Characteristics.....	7	9.3 Trademarks.....	31
5.9 Switching Characteristics.....	10	9.4 Electrostatic Discharge Caution.....	31
5.10 Typical Characteristics.....	13	9.5 Glossary.....	31
6 Parameter Measurement Information	15	10 Revision History	31
7 Detailed Description	18	11 Mechanical, Packaging, and Orderable Information	31
7.1 Overview.....	18		

4 Pin Configurations and Functions



Not to scale
Figure 4-1. SOIC (D) and SOT-23 (DDF) Package, 8 Pin (Top View)



Not to scale
Figure 4-2. VSON (DRB) Package, 8 Pin (Top View)

Table 4-1. Pin Functions

PINS		TYPE	DESCRIPTION
NAME	NO.		
TXD	1	Digital Input	CAN transmit data input, integrated pull-up
GND	2	GND	Ground connection
V _{CC}	3	Supply	5V supply voltage
RXD	4	Digital Output	CAN receive data output, tristate when powered off
V _{IO}	5	Supply	Logic supply voltage
NC		--	No Connect (not internally connected); Devices without V _{IO}
CANL	6	Bus IO	Low-level CAN bus input/output line
CANH	7	Bus IO	High-level CAN bus input/output line
STB	8	Digital Input	Standby mode control input, integrated pull-up
Thermal Pad (VSON only)		—	Electrically connected to GND, connect the thermal pad to the printed circuit board (PCB) ground plane for thermal relief

5 Specifications

5.1 Absolute Maximum Ratings

(1) (2)

		MIN	MAX	UNIT
V _{CC}	Supply voltage	-0.3	6	V
V _{IO}	Supply voltage I/O level shifter (Devices with the "V" suffix)	-0.3	6	V
V _{BUS}	CAN bus I/O voltage range on CANH and CANL	-58	58	V
V _{DIFF}	Max differential voltage between CANH and CANL V _{DIFF} = (CANH - CANL)	-45	45	V
V _{Logic_Input}	Logic pin input voltage (TXD, STB)	-0.3	6	V
V _{RXD}	Logic output voltage range (RXD)	-0.3	6	V
I _{O(RXD)}	RXD output current	-8	8	mA
T _J	Junction temperature	-40	165	°C
T _{STG}	Storage temperature	-65	150	°C

- (1) Operation outside the Absolute Maximum Ratings may cause permanent device damage. Absolute Maximum Ratings do not imply functional operation of the device at these or any other conditions beyond those listed under Recommended Operating Conditions. If used outside the Recommended Operating Conditions but within the Absolute Maximum Ratings, the device may not be fully functional, and this may affect device reliability, functionality, performance, and shorten the device lifetime.
- (2) All voltage values, except differential I/O bus voltages, are with respect to ground terminal.

5.2 ESD Ratings

			VALUE	UNIT
V _{ESD}	Electrostatic discharge	Human-body model (HBM), per AEC Q100-002 ⁽¹⁾	±4000	V
		Charged-device model (CDM), per AEC Q100-011 for all pins	±750	V
		All pins CANH and CANL with respect to GND	±10000	V

- (1) AEC Q100-002 indicates that HBM stressing shall be in accordance with the ANSI/ESDA/JEDEC JS-001 specification.

5.3 ESD Ratings, IEC Transients

			VALUE	UNIT	
V _{ESD}	System level electrostatic discharge	CAN bus terminals (CANH, CANL) to GND	SAE J2962-2 per ISO 10605 Powered contact discharge	±8000	V
			SAE J2962-2 per ISO 10605 Powered air discharge	±15000	V
			IEC 62228-3 per ISO 10605	±8000	V
V _{Tran}	ISO 7637-2 Transient immunity ⁽¹⁾	CAN bus terminals (CANH, CANL) to GND	Pulse 1	-100	V
			Pulse 2a	75	V
			Pulse 3a	-150	V
			Pulse 3b	100	V
			Direct capacitor coupling, SAE J2962-2 per ISO 7637-3 ⁽²⁾	DCC slow transient pulse	±30

- (1) Tested according to IEC 62228-3:2019 CAN Transceivers, Section 6.3; standard pulses parameters defined in ISO 7637-2 (2011)
- (2) Tested according to SAE J2962-2

5.4 Recommended Operating Conditions

		MIN	NOM	MAX	UNIT
V_{CC}	Supply voltage	4.5	5	5.5	V
V_{IO}	Supply voltage for I/O level shifter (Devices with V_{IO})	1.7		5.5	V
$I_{OH(RXD)}$	RXD terminal high-level output current	-1.5			mA
$I_{OL(RXD)}$	RXD terminal low-level output current			1.5	mA
T_J	Junction temperature	-40		150	°C

5.5 Thermal Characteristics

THERMAL METRIC ⁽¹⁾		TCAN1472(V)-Q1			UNIT
		D (SOIC)	DDF (SOT)	DRB (VSON)	
$R_{\theta JA}$	Junction-to-ambient thermal resistance	113.6	129.2	52.3	°C/W
$R_{\theta JC(top)}$	Junction-to-case (top) thermal resistance	52.5	55.0	58.4	°C/W
$R_{\theta JB}$	Junction-to-board thermal resistance	61.1	48.1	24.7	°C/W
Ψ_{JT}	Junction-to-top characterization parameter	7.4	1.7	1.7	°C/W
Ψ_{JB}	Junction-to-board characterization parameter	60.2	47.9	24.6	°C/W
$R_{\theta JC(bot)}$	Junction-to-case (bottom) thermal resistance	-	-	8.9	°C/W

- (1) For more information about traditional and new thermal metrics, see the [Semiconductor and IC Package Thermal Metrics](#) application report.

5.6 Supply Characteristics

parameters valid over recommended operating conditions with $-40^{\circ}\text{C} \leq T_J \leq 150^{\circ}\text{C}$ (Typical values are at $V_{CC} = 5\text{ V}$, $V_{IO} = 3.3\text{ V}$ (for devices with V_{IO}), Device ambient maintained at 27°C) unless otherwise noted

PARAMETER		TEST CONDITIONS		MIN	TYP	MAX	UNIT	
I_{CC}	Supply current normal mode	Dominant	TXD = 0 V, STB = 0 V $R_L = 60\ \Omega$, $C_L = \text{open}$ See Figure 6-1		50	70	mA	
		Dominant	TXD = 0 V, STB = 0 V $R_L = 50\ \Omega$, $C_L = \text{open}$ See Figure 6-1		55	80	mA	
		Recessive	TXD = V_{IO} , STB = 0 V $R_L = 50\ \Omega$, $C_L = \text{open}$ See Figure 6-1		7	11	mA	
		Dominant with bus fault	TXD = 0 V, STB = 0 V CANH = CANL = $\pm 25\text{ V}$ $R_L = \text{open}$, $C_L = \text{open}$ See Figure 6-1			130	mA	
	Supply current standby mode (devices with V_{IO})		TXD = STB = V_{IO} , $R_L = 50\ \Omega$, $C_L = \text{open}$, $T_J \leq 85^{\circ}\text{C}$, See Figure 6-1				1	μA
			TXD = STB = V_{IO} , $R_L = 50\ \Omega$, $C_L = \text{open}$, $T_J \leq 125^{\circ}\text{C}$, See Figure 6-1		0.2		2	
			TXD = STB = V_{IO} , $R_L = 50\ \Omega$, $C_L = \text{open}$, $T_J \leq 150^{\circ}\text{C}$, See Figure 6-1				5	
	Supply current standby mode (devices without V_{IO})		TXD = STB = V_{CC} , $R_L = 50\ \Omega$, $C_L = \text{open}$, $T_J \leq 85^{\circ}\text{C}$, See Figure 6-1				15	μA
			TXD = STB = V_{CC} , $R_L = 50\ \Omega$, $C_L = \text{open}$, $T_J \leq 125^{\circ}\text{C}$, See Figure 6-1				16	
			TXD = STB = V_{CC} , $R_L = 50\ \Omega$, $C_L = \text{open}$, $T_J \leq 150^{\circ}\text{C}$, See Figure 6-1				21	

5.6 Supply Characteristics (continued)

parameters valid over recommended operating conditions with $-40^{\circ}\text{C} \leq T_J \leq 150^{\circ}\text{C}$ (Typical values are at $V_{CC} = 5\text{ V}$, $V_{IO} = 3.3\text{ V}$ (for devices with V_{IO}), Device ambient maintained at 27°C) unless otherwise noted

PARAMETER		TEST CONDITIONS		MIN	TYP	MAX	UNIT
I_{IO} Devices with V_{IO}	I/O supply current normal mode	Dominant	TXD = 0 V, STB = 0 V $R_L = 60\ \Omega$, $C_L = \text{open}$ RXD floating		125	300	μA
		Recessive	TXD = V_{IO} , STB = 0 V $R_L = 60\ \Omega$, $C_L = \text{open}$ RXD floating		25	48	μA
	I/O supply current standby mode		TXD = V_{IO} , STB = V_{IO} $R_L = 60\ \Omega$, $C_L = \text{open}$ RXD floating, $T_J \leq 85^{\circ}\text{C}$			13.5	μA
			TXD = V_{IO} , STB = V_{IO} $R_L = 60\ \Omega$, $C_L = \text{open}$ RXD floating, $T_J \leq 125^{\circ}\text{C}$		8.5	15	
		TXD = V_{IO} , STB = V_{IO} $R_L = 60\ \Omega$, $C_L = \text{open}$ RXD floating, $T_J \leq 150^{\circ}\text{C}$			16		
$UV_{CC(R)}$	Undervoltage detection V_{CC} rising	Ramp up			4.2	4.4	V
$UV_{CC(F)}$	Undervoltage detection on V_{CC} falling	Ramp down		3.5	4		V
$UV_{IO(R)}$	Undervoltage detection V_{IO} rising (Devices with V_{IO})	Ramp up			1.6	1.65	V
$UV_{IO(F)}$	Undervoltage detection on V_{IO} falling (Devices with V_{IO})	Ramp down		1.4	1.5		V

5.7 Dissipation Ratings

PARAMETER		TEST CONDITIONS		MIN	TYP	MAX	UNIT
P_D	Average power dissipation Normal mode		$V_{CC} = 5\text{ V}$, $V_{IO} = 3.3\text{ V}$, $T_J = 27^{\circ}\text{C}$, $R_L = 60\ \Omega$, $C_{L_RXD} = 15\text{ pF}$ TXD input = 250 kHz 50% duty cycle square wave		60		mW
			$V_{CC} = 5.5\text{ V}$, $V_{IO} = 5.5\text{ V}$, $T_J = 150^{\circ}\text{C}$, $R_L = 50\ \Omega$, $C_{L_RXD} = 15\text{ pF}$ TXD input = 2.5 MHz 50% duty cycle square wave		120		mW
T_{TSD}	Thermal shutdown temperature				192		$^{\circ}\text{C}$
T_{TSD_HYS}	Thermal shutdown hysteresis				10		

5.8 Electrical Characteristics

parameters valid over recommended operating conditions with $-40^{\circ}\text{C} \leq T_J \leq 150^{\circ}\text{C}$ (Typical values are at $V_{CC} = 5\text{ V}$, $V_{IO} = 3.3\text{ V}$, Device ambient maintained at 27°C) unless otherwise noted

PARAMETER		TEST CONDITIONS		MIN	TYP	MAX	UNIT
Driver Electrical Characteristics							
$V_{CANH(D)}$	Dominant output voltage normal mode	CANH	$V_{CC} = 4.75\text{ V}$ to 5.25 V , TXD = 0 V, STB = 0 V	3	3.5	4.26	V
$V_{CANL(D)}$		CANL	$45\ \Omega \leq R_L \leq 65\ \Omega$, $C_L = \text{open}$, See Figure 6-2 and Figure 7-5	0.75	1.5	2.01	V
$V_{CANH(D)}$	Dominant output voltage normal mode	CANH	$V_{CC} = 4.5\text{ V}$ to 5.5 V , TXD = 0 V, STB = 0 V	2.75	3.5	4.5	V
$V_{CANL(D)}$		CANL	$50\ \Omega \leq R_L \leq 65\ \Omega$, $C_L = \text{open}$, See Figure 6-2 and Figure 7-5	0.5	1.5	2.25	V
$V_{CANH(R)}$, $V_{CANL(R)}$	Recessive output voltage normal mode	CANH and CANL	$V_{CC} = 4.75\text{ V}$ to 5.25 V , TXD = V_{IO} , STB = 0 V $45\ \Omega \leq R_L \leq 65\ \Omega$, $C_L = \text{open}$ See Figure 6-2 and Figure 7-5	2.256		2.756	V
$V_{CANH(R)}$, $V_{CANL(R)}$	Recessive output voltage normal mode	CANH and CANL	$V_{CC} = 4.5\text{ V}$ to 5.5 V , TXD = V_{IO} , STB = 0 V $R_L = \text{open}$ (no load), $C_L = \text{open}$, See Figure 6-2 and Figure 7-5	2	2.5	3	V

5.8 Electrical Characteristics (continued)

parameters valid over recommended operating conditions with $-40^{\circ}\text{C} \leq T_J \leq 150^{\circ}\text{C}$ (Typical values are at $V_{CC} = 5\text{ V}$, $V_{IO} = 3.3\text{ V}$, Device ambient maintained at 27°C) unless otherwise noted

PARAMETER		TEST CONDITIONS	MIN	TYP	MAX	UNIT	
V_{SYM}	Driver symmetry $(V_{O(\text{CANH})} + V_{O(\text{CANL})}) / (V_{\text{CANH}(\text{R})} + V_{\text{CANL}(\text{R})})$	$V_{CC} = 4.75\text{ V to } 5.25\text{ V}$, TXD = 250 kHz, 1 MHz, 2.5 MHz, STB = 0 V $45\ \Omega \leq R_L \leq 65\ \Omega$, $C_{\text{SPLIT}} = 4.7\text{ nF}$, $C_L = \text{open}$, See Figure 6-2 and Figure 8-2	0.95		1.05	V/V	
		$V_{CC} = 4.5\text{ V to } 5.5\text{ V}$, TXD = 250 kHz, 1 MHz, 2.5 MHz, STB = 0 V $45\ \Omega \leq R_L \leq 65\ \Omega$, $C_{\text{SPLIT}} = 4.7\text{ nF}$, $C_L = \text{open}$, See Figure 6-2 and Figure 8-2	0.9		1.1	V/V	
$V_{\text{DIFF}(\text{D})}$	Differential output voltage normal mode Dominant	CANH - CANL	$V_{CC} = 4.75\text{ V to } 5.25\text{ V}$, TXD = 0 V, STB = 0 V $45\ \Omega \leq R_L \leq 65\ \Omega$, $C_L = \text{open}$, See Figure 6-2 and Figure 7-5	1.5		3	V
			$V_{CC} = 4.75\text{ V to } 5.25\text{ V}$, TXD = 0 V, STB = 0 V $45\ \Omega \leq R_L \leq 70\ \Omega$, $C_L = \text{open}$, See Figure 6-2 and Figure 7-5	1.5		3.3	V
			$V_{CC} = 4.5\text{ V to } 5.5\text{ V}$, TXD = 0 V, STB = 0 V $50\ \Omega \leq R_L \leq 65\ \Omega$, $C_L = \text{open}$, See Figure 6-2 and Figure 7-5	1.5		3	V
			$V_{CC} = 4.5\text{ V to } 5.5\text{ V}$, TXD = 0 V, STB = 0 V $45\ \Omega \leq R_L \leq 70\ \Omega$, $C_L = \text{open}$, See Figure 6-2 and Figure 7-5	1.4		3.3	V
			TXD = 0 V, STB = 0 V $R_L = 2240\ \Omega$, $C_L = \text{open}$, See Figure 6-2 and Figure 7-5	1.5		5	V
$V_{\text{DIFF}(\text{R})}$	Differential output voltage normal mode Dominant	CANH - CANL	TXD = V_{IO} , STB = 0 V $45\ \Omega \leq R_L \leq 65\ \Omega$, $C_L = \text{open}$, See Figure 6-2 and Figure 7-5	-50		50	mV
	Differential output voltage normal mode Dominant		TXD = V_{IO} , STB = 0 V $R_L = \text{open}$, $C_L = \text{open}$, See Figure 6-2 and Figure 7-5	-50		50	mV
$V_{\text{CANH}(\text{INACT})}$	Bus output voltage standby mode	CANH	TXD = STB = V_{IO}	-0.1		0.1	V
$V_{\text{CANL}(\text{INACT})}$		CANL	$R_L = \text{open}$, $C_L = \text{open}$, See Figure 6-2 and Figure 7-5	-0.1		0.1	V
$V_{\text{DIFF}(\text{INACT})}$		CANH - CANL	See Figure 6-2 and Figure 7-5	-0.2		0.2	V
$R_{\text{DIFF}(\text{DOM})}$	Differential input resistance in dominant phase		TXD=0 V, STB = 0 V, See Figure 7-2		40		Ω
$R_{\text{SE_SIC_ACT_REC}}$	Single ended resistance CANH/CANL in active recessive phase		$V_{CC} = 4.75\text{ V to } 5.25\text{ V}$, $2\text{ V} \leq V_{\text{CANH/L}} \leq V_{CC} - 2\text{ V}$	37.5	50	66.5	Ω
$R_{\text{DIFF_ACT_REC}}$	Differential input resistance in active recessive phase		$V_{CC} = 4.75\text{ V to } 5.25\text{ V}$, $2\text{ V} \leq V_{\text{CANH/L}} \leq V_{CC} - 2\text{ V}$	75	100	133	Ω
$I_{\text{CANH}(\text{OS})}$	Short-circuit bus output current, TXD is dominant or recessive or toggling, normal mode		$V_{(\text{CANH})} = -15\text{ V to } 40\text{ V}$, CANL = open, TXD = 0 V or V_{IO} or 250 kHz, 2.5 MHz square wave, See Figure 6-7 and Figure 7-5	-115		115	mA
$I_{\text{CANL}(\text{OS})}$			$V_{(\text{CANL})} = -15\text{ V to } 40\text{ V}$, CANH = open, TXD = 0 V or V_{IO} or 250 kHz, 2.5 MHz square wave, See Figure 6-7 and Figure 7-5	-115		115	mA
Receiver Electrical Characteristics							
V_{IT}	Input threshold voltage normal mode		$-12\text{ V} \leq V_{\text{CM}} \leq 12\text{ V}$, STB = 0 V, See Figure 6-3 and Figure 7-6	500		900	mV
$V_{\text{IT}(\text{STB})}$	Input threshold standby mode		$-12\text{ V} \leq V_{\text{CM}} \leq 12\text{ V}$, STB = V_{IO} , See Figure 6-3 and Figure 7-6	400		1150	mV
$V_{\text{DIFF_RX}(\text{D})}$	Normal mode dominant state differential input voltage range		$-12\text{ V} \leq V_{\text{CM}} \leq 12\text{ V}$, STB = 0 V, See Figure 6-3 and Figure 7-6	0.9		9	V
$V_{\text{DIFF_RX}(\text{R})}$	Normal mode recessive state differential input voltage range		$-12\text{ V} \leq V_{\text{CM}} \leq 12\text{ V}$, STB = 0 V, See Figure 6-3 and Figure 7-6	-4		0.5	V

5.8 Electrical Characteristics (continued)

parameters valid over recommended operating conditions with $-40^{\circ}\text{C} \leq T_J \leq 150^{\circ}\text{C}$ (Typical values are at $V_{CC} = 5\text{ V}$, $V_{IO} = 3.3\text{ V}$, Device ambient maintained at 27°C) unless otherwise noted

PARAMETER		TEST CONDITIONS	MIN	TYP	MAX	UNIT
$V_{\text{DIFF_RX(D_IN ACT)}}$	Standby mode dominant state differential input voltage range	$\text{STB} = V_{\text{IO}}$, $-12\text{ V} \leq V_{\text{CM}} \leq 12\text{ V}$, See Figure 6-3 and Figure 7-6	1.15		9	V
$V_{\text{DIFF_RX(R_IN ACT)}}$	Standby mode recessive state differential input voltage range	$\text{STB} = V_{\text{IO}}$, $-12\text{ V} \leq V_{\text{CM}} \leq 12\text{ V}$, See Figure 6-3 and Figure 7-6	-4		0.4	V
V_{HYS}	Hysteresis voltage for input threshold normal mode	$-12\text{ V} \leq V_{\text{CM}} \leq 12\text{ V}$, $\text{STB} = 0\text{ V}$, See Figure 6-3 and Figure 7-6		100		mV
V_{CM}	Common mode range normal and standby modes	See Figure 6-3 and Figure 7-6	-12		12	V
$I_{\text{LKG(OFF)}}$	Unpowered bus input leakage current	$\text{CANH} = \text{CANL} = 5\text{ V}$, $V_{\text{CC}} = V_{\text{IO}} = \text{GND}$			5	μA
C_1	Input capacitance to ground (CANH or CANL)				20	pF
C_{ID}	Differential input capacitance across bus terminals	$\text{TXD} = V_{\text{IO}}$			10	pF
$R_{\text{DIFF_PAS_RE C}}$	Differential input resistance in passive recessive phase		40		90	k Ω
$R_{\text{SE_PAS_REC}}$	Single ended input resistance in passive recessive phase (CANH or CANL)	$\text{TXD} = V_{\text{IO}}$, $\text{STB} = 0\text{ V}$, $-12\text{ V} \leq V_{\text{CM}} \leq 12\text{ V}$, $\Delta V / \Delta I$	20		45	k Ω
m_{R}	Input resistance matching $[1 - (R_{\text{IN(CANH)}} / R_{\text{IN(CANL)}})] \times 100\%$	$V_{\text{(CAN_H)}} = V_{\text{(CAN_L)}} = 5\text{ V}$	-1		1	%
TXD Terminal (CAN Transmit Data Input)						
V_{IH}	High-level input voltage	Devices without V_{IO}	0.7 V_{CC}			V
V_{IH}	High-level input voltage	Devices with V_{IO}	0.7 V_{IO}			V
V_{IL}	Low-level input voltage	Devices without V_{IO}	0.3 V_{CC}			V
V_{IL}	Low-level input voltage	Devices with V_{IO}	0.3 V_{IO}			V
I_{IH}	High-level input leakage current	$\text{TXD} = V_{\text{CC}} = V_{\text{IO}} = 5.5\text{ V}$	-2.5	0	1	μA
I_{IL}	Low-level input leakage current	$\text{TXD} = 0\text{ V}$, $V_{\text{CC}} = V_{\text{IO}} = 5.5\text{ V}$	-200	-100	-20	μA
$I_{\text{LKG_TXD(OFF)}}$	Unpowered leakage current	$\text{TXD} = 5.5\text{ V}$, $V_{\text{CC}} = V_{\text{IO}} = 0\text{ V}$	-1	0	1	μA
$C_{\text{I_TXD}}$	Input capacitance			6		pF
RXD Terminal (CAN Receive Data Output)						
V_{OH}	High-level output voltage	Devices without V_{IO} $I_{\text{O}} = -1.5\text{ mA}$, See Figure 6-3	0.8 V_{CC}			V
V_{OH}	High-level output voltage	$I_{\text{O}} = -1.5\text{ mA}$, Devices with V_{IO} See Figure 6-3	0.8 V_{IO}			V
V_{OL}	Low-level output voltage	Devices without V_{IO} $I_{\text{O}} = 1.5\text{ mA}$, See Figure 6-3	0.2 V_{CC}			V
V_{OL}	Low-level output voltage	Devices with V_{IO} $I_{\text{O}} = 1.5\text{ mA}$, Devices with V_{IO} See Figure 6-3	0.2 V_{IO}			V
$I_{\text{LKG_RXD(OFF)}}$	Unpowered leakage current	$\text{RXD} = 5.5\text{ V}$, $V_{\text{CC}} = V_{\text{IO}} = 0\text{ V}$	-1	0	1	μA
STB Terminal (Standby Mode Input)						
V_{IH}	High-level input voltage	Devices without V_{IO}	0.7 V_{CC}			V
V_{IH}	High-level input voltage	Devices with V_{IO}	0.7 V_{IO}			V
V_{IL}	Low-level input voltage	Devices without V_{IO}	0.3 V_{CC}			V
V_{IL}	Low-level input voltage	Devices with V_{IO}	0.3 V_{IO}			V
I_{IH}	High-level input leakage current	$V_{\text{CC}} = V_{\text{IO}} = \text{STB} = 5.5\text{ V}$	-2		2	μA
I_{IL}	Low-level input leakage current	$V_{\text{CC}} = V_{\text{IO}} = 5.5\text{ V}$, $\text{STB} = 0\text{ V}$	-20		-2	μA
$I_{\text{LKG_STB(OFF)}}$	Unpowered leakage current	$\text{STB} = 5.5\text{ V}$, $V_{\text{CC}} = V_{\text{IO}} = 0\text{ V}$	-1	0	1	μA

5.9 Switching Characteristics

parameters valid over recommended operating conditions with $-40^{\circ}\text{C} \leq T_J \leq 150^{\circ}\text{C}$ (Typical values are at $V_{CC} = 5\text{ V}$, $V_{IO} = 3.3\text{ V}$, Device ambient maintained at 27°C) unless otherwise noted

PARAMETER		TEST CONDITIONS	MIN	TYP	MAX	UNIT
Device Switching Characteristics						
$t_{\text{PROP(LOOP1)}}$	Total loop delay, driver input (TXD) to receiver output (RXD), recessive to dominant	See Figure 6-4 , normal mode, $V_{IO} = 4.5\text{ V}$ to 5.5 V , $45\ \Omega \leq R_L \leq 65\ \Omega$, $C_L = 100\text{ pF}$ ($\leq \pm 1\%$), $C_{L(\text{RXD})} = 15\text{ pF}$ ($\leq \pm 1\%$)		90	145	ns
		See Figure 6-4 , normal mode, $V_{IO} = 3\text{ V}$ to 3.6 V , $45\ \Omega \leq R_L \leq 65\ \Omega$, $C_L = 100\text{ pF}$ ($\leq \pm 1\%$), $C_{L(\text{RXD})} = 15\text{ pF}$ ($\leq \pm 1\%$)		95	155	ns
		See Figure 6-4 , normal mode, $V_{IO} = 2.25\text{ V}$ to 2.75 V , $45\ \Omega \leq R_L \leq 65\ \Omega$, $C_L = 100\text{ pF}$ ($\leq \pm 1\%$), $C_{L(\text{RXD})} = 15\text{ pF}$ ($\leq \pm 1\%$)		110	170	ns
		See Figure 6-4 , normal mode, $V_{IO} = 1.71\text{ V}$ to 1.89 V , $45\ \Omega \leq R_L \leq 65\ \Omega$, $C_L = 100\text{ pF}$ ($\leq \pm 1\%$), $C_{L(\text{RXD})} = 15\text{ pF}$ ($\leq \pm 1\%$)		125	190	ns
$t_{\text{PROP(LOOP2)}}$	Total loop delay, driver input (TXD) to receiver output (RXD), dominant to recessive	See Figure 6-4 , normal mode, $V_{IO} = 4.5\text{ V}$ to 5.5 V , $45\ \Omega \leq R_L \leq 65\ \Omega$, $C_L = 100\text{ pF}$ ($\leq \pm 1\%$), $C_{L(\text{RXD})} = 15\text{ pF}$ ($\leq \pm 1\%$)		95	150	ns
		See Figure 6-4 , normal mode, $V_{IO} = 3\text{ V}$ to 3.6 V , $45\ \Omega \leq R_L \leq 65\ \Omega$, $C_L = 100\text{ pF}$ ($\leq \pm 1\%$), $C_{L(\text{RXD})} = 15\text{ pF}$ ($\leq \pm 1\%$)		100	160	ns
		See Figure 6-4 , normal mode, $V_{IO} = 2.25\text{ V}$ to 2.75 V , $45\ \Omega \leq R_L \leq 65\ \Omega$, $C_L = 100\text{ pF}$ ($\leq \pm 1\%$), $C_{L(\text{RXD})} = 15\text{ pF}$ ($\leq \pm 1\%$)		110	175	ns
		See Figure 6-4 , normal mode, $V_{IO} = 1.71\text{ V}$ to 1.89 V , $45\ \Omega \leq R_L \leq 65\ \Omega$, $C_L = 100\text{ pF}$ ($\leq \pm 1\%$), $C_{L(\text{RXD})} = 15\text{ pF}$ ($\leq \pm 1\%$)		125	190	ns
t_{MODE}	Mode change time, from normal to standby or from standby to normal	See Figure 6-5			30	μs
$t_{\text{WK_FILTER}}$	Filter time for a valid wake-up pattern	See Figure 7-7	0.5		0.95	μs
$t_{\text{WK_TIMEOUT}}$	Bus wake-up timeout value	See Figure 7-7	0.8		6	ms
T_{startup}	Time duration after V_{CC} or V_{IO} has cleared rising undervoltage threshold, and device can resume normal operation				1.5	ms
$T_{\text{filter(STB)}}$	Filter on STB pin to filter out any glitches		0.5	1	2	μs
Driver Switching Characteristics						
$t_{\text{prop(TxD-busrec)}}$	Propagation delay time, low-to-high TXD edge to driver recessive (dominant to recessive)	See Figure 6-2 , $\text{STB} = 0\text{ V}$, $45\ \Omega \leq R_L \leq 65\ \Omega$, $C_L = 100\text{ pF}$ ($\leq \pm 1\%$), $V_{IO} = 4.5\text{ V}$ to 5.5 V		35	70	ns
		See Figure 6-2 $\text{STB} = 0\text{ V}$, $45\ \Omega \leq R_L \leq 65\ \Omega$, $C_L = 100\text{ pF}$ ($\leq \pm 1\%$), $V_{IO} = 3\text{ V}$ to 3.6 V		40	70	ns
		See Figure 6-2 $\text{STB} = 0\text{ V}$, $45\ \Omega \leq R_L \leq 65\ \Omega$, $C_L = 100\text{ pF}$ ($\leq \pm 1\%$), $V_{IO} = 2.25\text{ V}$ to 2.75 V		40	75	ns
		See Figure 6-2 $\text{STB} = 0\text{ V}$, $45\ \Omega \leq R_L \leq 65\ \Omega$, $C_L = 100\text{ pF}$ ($\leq \pm 1\%$), $V_{IO} = 1.71\text{ V}$ to 1.89 V		42	80	ns
$t_{\text{prop(TxD-busdom)}}$	Propagation delay time, high-to-low TXD edge to driver dominant (recessive to dominant)	See Figure 6-2 , $\text{STB} = 0\text{ V}$, $45\ \Omega \leq R_L \leq 65\ \Omega$, $C_L = 100\text{ pF}$ ($\leq \pm 1\%$), $V_{IO} = 4.5\text{ V}$ to 5.5 V		35	75	ns
		See Figure 6-2 $\text{STB} = 0\text{ V}$, $45\ \Omega \leq R_L \leq 65\ \Omega$, $C_L = 100\text{ pF}$ ($\leq \pm 1\%$), $V_{IO} = 3\text{ V}$ to 3.6 V		35	75	ns
		See Figure 6-2 $\text{STB} = 0\text{ V}$, $45\ \Omega \leq R_L \leq 65\ \Omega$, $C_L = 100\text{ pF}$ ($\leq \pm 1\%$), $V_{IO} = 2.25\text{ V}$ to 2.75 V		40	80	ns
		See Figure 6-2 $\text{STB} = 0\text{ V}$, $45\ \Omega \leq R_L \leq 65\ \Omega$, $C_L = 100\text{ pF}$ ($\leq \pm 1\%$), $V_{IO} = 1.71\text{ V}$ to 1.89 V		42	80	ns

5.9 Switching Characteristics (continued)

parameters valid over recommended operating conditions with $-40^{\circ}\text{C} \leq T_J \leq 150^{\circ}\text{C}$ (Typical values are at $V_{CC} = 5\text{ V}$, $V_{IO} = 3.3\text{ V}$, Device ambient maintained at 27°C) unless otherwise noted

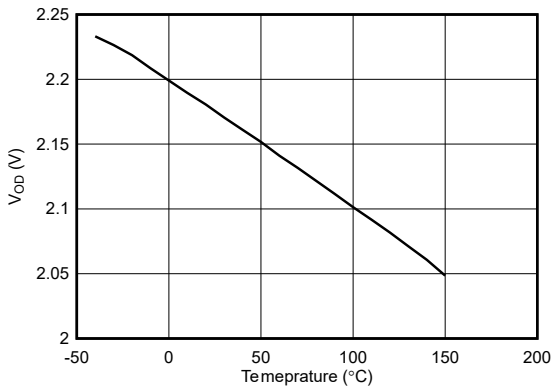
PARAMETER		TEST CONDITIONS	MIN	TYP	MAX	UNIT
$t_{sk(p)}$	Pulse skew ($(t_{prop(TxD-busrec)} - t_{prop(TxD-busdom)})$)	STB = 0 V, $45\ \Omega \leq R_L \leq 65\ \Omega$, $C_L = 100\text{ pF}$ ($\leq \pm 1\%$), See Figure 6-2		1	10	ns
t_{BUS_R}	Differential output signal rise time	See Figure 6-2 , STB = 0 V, $45\ \Omega \leq R_L \leq 65\ \Omega$, $C_L = 100\text{ pF}$ ($\leq \pm 1\%$)		15	30	ns
t_{BUS_F}	Differential output signal fall time	See Figure 6-2 , STB = 0 V, $45\ \Omega \leq R_L \leq 65\ \Omega$, $C_L = 100\text{ pF}$ ($\leq \pm 1\%$)		15	40	ns
t_{TXD_DTO}	Dominant timeout	See Figure 6-6 , $45\ \Omega \leq R_L \leq 65\ \Omega$, $C_L = 100\text{ pF}$ ($\leq \pm 1\%$), STB = 0 V	1.2		4.0	ms
Receiver Switching Characteristics						
$t_{prop(busrec-RXD)}$	Propagation delay time, bus recessive input to RXD high output (dominant to recessive)	See Figure 6-3 , STB = 0 V, $45\ \Omega \leq R_L \leq 65\ \Omega$, $C_L = 100\text{ pF}$ ($\leq \pm 1\%$), $C_{L(RXD)} = 15\text{ pF}$ ($\leq \pm 1\%$), $V_{IO} = 4.5\text{ V}$ to 5.5 V		60	85	ns
		See Figure 6-3 STB = 0 V, $45\ \Omega \leq R_L \leq 65\ \Omega$, $C_L = 100\text{ pF}$ ($\leq \pm 1\%$), $C_{L(RXD)} = 15\text{ pF}$ ($\leq \pm 1\%$), $V_{IO} = 3\text{ V}$ to 3.6 V		65	95	ns
		See Figure 6-3 STB = 0 V, $45\ \Omega \leq R_L \leq 65\ \Omega$, $C_L = 100\text{ pF}$ ($\leq \pm 1\%$), $C_{L(RXD)} = 15\text{ pF}$ ($\leq \pm 1\%$), $V_{IO} = 2.25\text{ V}$ to 2.75 V		70	105	ns
		See Figure 6-3 STB = 0 V, $45\ \Omega \leq R_L \leq 65\ \Omega$, $C_L = 100\text{ pF}$ ($\leq \pm 1\%$), $C_{L(RXD)} = 15\text{ pF}$ ($\leq \pm 1\%$), $V_{IO} = 1.71\text{ V}$ to 1.89 V		80	110	ns
$t_{prop(busdom-RXD)}$	Propagation delay time, bus dominant input to RXD low output (recessive to dominant)	See Figure 6-3 , STB = 0 V, $45\ \Omega \leq R_L \leq 65\ \Omega$, $C_L = 100\text{ pF}$ ($\leq \pm 1\%$), $C_{L(RXD)} = 15\text{ pF}$ ($\leq \pm 1\%$), $V_{IO} = 4.5\text{ V}$ to 5.5 V		50	75	ns
		See Figure 6-3 STB = 0 V, $45\ \Omega \leq R_L \leq 65\ \Omega$, $C_L = 100\text{ pF}$ ($\leq \pm 1\%$), $C_{L(RXD)} = 15\text{ pF}$ ($\leq \pm 1\%$), $V_{IO} = 3\text{ V}$ to 3.6 V		60	80	ns
		See Figure 6-3 STB = 0 V, $45\ \Omega \leq R_L \leq 65\ \Omega$, $C_L = 100\text{ pF}$ ($\leq \pm 1\%$), $C_{L(RXD)} = 15\text{ pF}$ ($\leq \pm 1\%$), $V_{IO} = 2.25\text{ V}$ to 2.75 V		65	90	ns
		See Figure 6-3 STB = 0 V, $45\ \Omega \leq R_L \leq 65\ \Omega$, $C_L = 100\text{ pF}$ ($\leq \pm 1\%$), $C_{L(RXD)} = 15\text{ pF}$ ($\leq \pm 1\%$), $V_{IO} = 1.71\text{ V}$ to 1.89 V		80	110	ns
t_{RXD_R}	RXD output signal rise time	See Figure 6-3 , STB = 0 V,		8	25	ns
t_{RXD_F}	RXD output signal fall time	$C_{L(RXD)} = 15\text{ pF}$ ($\leq \pm 1\%$)		7	30	ns
FD Timing Characteristics						
$t_{BIT(BUS)}$	Bit time on CAN bus output pins with $t_{BIT(TXD)} = 500\text{ ns}$	See Figure 6-4 , $V_{CC} = 4.5\text{ V}$ to 5.5 V , STB = 0 V, $45\ \Omega \leq R_L \leq 65\ \Omega$, $C_L = 100\text{ pF}$, $C_{L(RXD)} = 15\text{ pF}$	490		510	ns
	Bit time on CAN bus output pins with $t_{BIT(TXD)} = 200\text{ ns}$	See Figure 6-4 , $V_{CC} = 4.5\text{ V}$ to 5.5 V , STB = 0 V, $45\ \Omega \leq R_L \leq 65\ \Omega$, $C_L = 100\text{ pF}$, $C_{L(RXD)} = 15\text{ pF}$	190		210	ns
	Bit time on CAN bus output pins with $t_{BIT(TXD)} = 125\text{ ns}$	See Figure 6-4 , $V_{CC} = 4.5\text{ V}$ to 5.5 V , STB = 0 V, $45\ \Omega \leq R_L \leq 65\ \Omega$, $C_L = 100\text{ pF}$, $C_{L(RXD)} = 15\text{ pF}$	115		135	ns

5.9 Switching Characteristics (continued)

parameters valid over recommended operating conditions with $-40^{\circ}\text{C} \leq T_J \leq 150^{\circ}\text{C}$ (Typical values are at $V_{CC} = 5\text{ V}$, $V_{IO} = 3.3\text{ V}$, Device ambient maintained at 27°C) unless otherwise noted

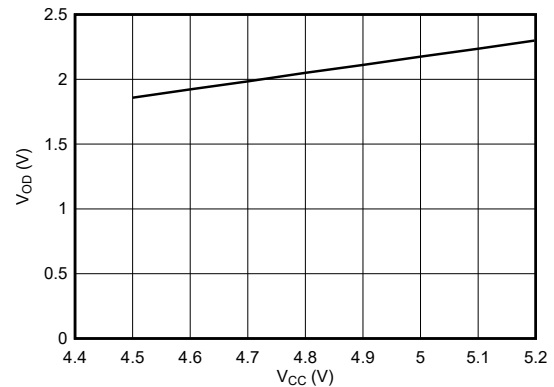
PARAMETER		TEST CONDITIONS	MIN	TYP	MAX	UNIT
$t_{\text{BIT(RXD)}}$	Bit time on RXD output pins with $t_{\text{BIT(TXD)}} = 500\text{ ns}$	See Figure 6-4, $V_{CC} = 4.75\text{ V to }5.25\text{ V}$, STB = 0 V, $45\ \Omega \leq R_L \leq 65\ \Omega$, $C_L = 100\text{ pF}$, $C_{L(\text{RXD})} = 15\text{ pF}$	470		520	ns
		See Figure 6-4, $V_{CC} = 4.5\text{ V to }5.5\text{ V}$, STB = 0 V, $45\ \Omega \leq R_L \leq 65\ \Omega$, $C_L = 100\text{ pF}$, $C_{L(\text{RXD})} = 15\text{ pF}$	470		525	ns
	Bit time on RXD output pins with $t_{\text{BIT(TXD)}} = 200\text{ ns}$	See Figure 6-4, $V_{CC} = 4.75\text{ V to }5.25\text{ V}$, STB = 0 V, $45\ \Omega \leq R_L \leq 65\ \Omega$, $C_L = 100\text{ pF}$, $C_{L(\text{RXD})} = 15\text{ pF}$	170		220	ns
		See Figure 6-4, $V_{CC} = 4.5\text{ V to }5.5\text{ V}$, STB = 0 V, $45\ \Omega \leq R_L \leq 65\ \Omega$, $C_L = 100\text{ pF}$, $C_{L(\text{RXD})} = 15\text{ pF}$	170		225	ns
	Bit time on RXD output pins with $t_{\text{BIT(TXD)}} = 125\text{ ns}$	See Figure 6-4, $V_{CC} = 4.75\text{ V to }5.25\text{ V}$, STB = 0 V, $45\ \Omega \leq R_L \leq 65\ \Omega$, $C_L = 100\text{ pF}$, $C_{L(\text{RXD})} = 15\text{ pF}$	95		145	ns
		See Figure 6-4, $V_{CC} = 4.5\text{ V to }5.5\text{ V}$, STB = 0 V, $45\ \Omega \leq R_L \leq 65\ \Omega$, $C_L = 100\text{ pF}$, $C_{L(\text{RXD})} = 15\text{ pF}$	95		150	ns
Signal Improvement Timing Characteristics						
$t_{\text{PAS_REC_START}}$	Start time of passive recessive phase	Time duration from TXD rising 50% edge (<5ns slope) to start of passive recessive phase	420		530	ns
$t_{\text{ACT_REC_START}}$	Start time of active signal improvement phase	Time duration from TXD rising 50% edge (<5ns slope) to start of passive recessive phase			120	ns
$t_{\text{ACT_REC_END}}$	End time of active signal improvement phase		355			ns
$t_{\Delta \text{ BIT(Bus)}}$	Transmitted bit width variation	$V_{CC} = 4.75\text{ V to }5.25\text{ V}$, TXD <= 8Mbps, $t_{\Delta \text{ BIT(Bus)}} = t_{\text{BIT(Bus)}} - t_{\text{BIT(TXD)}}$ STB = 0 V, $45\ \Omega \leq R_L \leq 65\ \Omega$, $C_L = 100\text{ pF}$ ($\leq \pm 1\%$), $C_{L(\text{RXD})} = 15\text{ pF}$ ($\leq \pm 1\%$), See Figure 6-4	-10		10	ns
		$V_{CC} = 4.5\text{ V to }5.5\text{ V}$, TXD <= 8Mbps, $t_{\Delta \text{ BIT(Bus)}} = t_{\text{BIT(Bus)}} - t_{\text{BIT(TXD)}}$ STB = 0 V, $R_L = 60\ \Omega$, $C_L = 100\text{ pF}$ ($\leq \pm 1\%$), $C_{L(\text{RXD})} = 15\text{ pF}$ ($\leq \pm 1\%$), See Figure 6-4	-10		10	ns
$t_{\Delta \text{ BIT(RXD)}}$	Received bit width variation	$V_{CC} = 4.75\text{ V to }5.25\text{ V}$, TXD <= 8Mbps, $t_{\Delta \text{ BIT(RXD)}} = t_{\text{BIT(RXD)}} - t_{\text{BIT(TXD)}}$ STB = 0 V, $45\ \Omega \leq R_L \leq 65\ \Omega$, $C_L = 100\text{ pF}$ ($\leq \pm 1\%$), $C_{L(\text{RXD})} = 15\text{ pF}$ ($\leq \pm 1\%$), $C_{L(\text{RXD})} = 15\text{ pF}$, See Figure 6-4	-30		20	ns
		$V_{CC} = 4.5\text{ V to }5.5\text{ V}$, TXD <= 8Mbps, $t_{\Delta \text{ BIT(RXD)}} = t_{\text{BIT(RXD)}} - t_{\text{BIT(TXD)}}$ STB = 0 V, $R_L = 60\ \Omega$, $C_L = 100\text{ pF}$ ($\leq \pm 1\%$), $C_{L(\text{RXD})} = 15\text{ pF}$ ($\leq \pm 1\%$), $C_{L(\text{RXD})} = 15\text{ pF}$, See Figure 6-4	-30		20	ns
$t_{\Delta \text{ REC}}$	Receiver timing symmetry	$V_{CC} = 4.75\text{ V to }5.25\text{ V}$, TXD <= 8Mbps, $t_{\Delta \text{ REC}} = t_{\text{BIT(RXD)}} - t_{\text{BIT(Bus)}}$ STB = 0 V, $45\ \Omega \leq R_L \leq 65\ \Omega$, $C_L = 100\text{ pF}$ ($\leq \pm 1\%$), $C_{L(\text{RXD})} = 15\text{ pF}$ ($\leq \pm 1\%$), See Figure 6-4	-20		15	ns
		$V_{CC} = 4.5\text{ V to }5.5\text{ V}$, TXD <= 8Mbps, $t_{\Delta \text{ REC}} = t_{\text{BIT(RXD)}} - t_{\text{BIT(Bus)}}$ STB = 0 V, $R_L = 60\ \Omega$, $C_L = 100\text{ pF}$ ($\leq \pm 1\%$), $C_{L(\text{RXD})} = 15\text{ pF}$ ($\leq \pm 1\%$), See Figure 6-4	-20		15	ns

5.10 Typical Characteristics



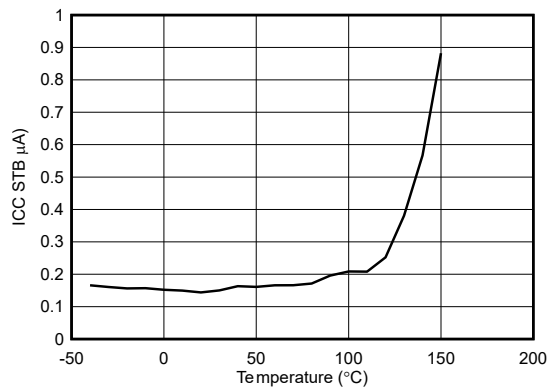
STB = GND Temp = Sweep $R_L = 60\Omega$

Figure 5-1. $V_{OD(DOM)}$ Over temperature



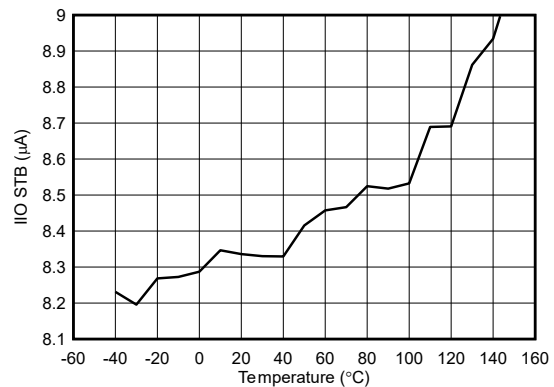
$T_A = 25^\circ\text{C}$ $R_L = 60\Omega$ STB = GND

Figure 5-2. $V_{OD(DOM)}$ over V_{CC}



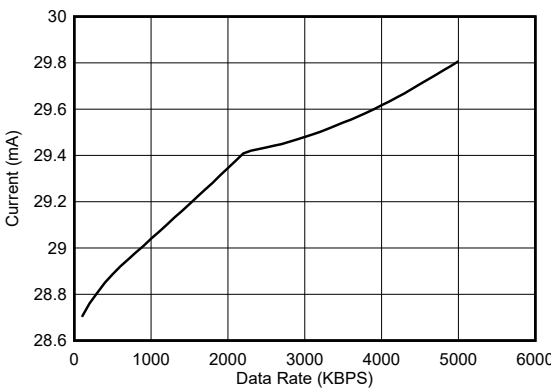
STB = GND Temp = Sweep $R_L = \text{OPEN}$

Figure 5-3. $I_{CC(\text{standby})}$ vs Temperature



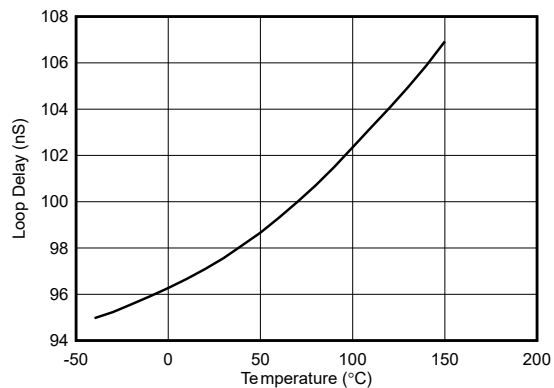
STB = GND Temp = Sweep $R_L = 50\Omega$

Figure 5-4. $I_{IO(\text{standby})}$ vs Temperature



TXD = toggling $T_A = 25^\circ\text{C}$ $R_L = 60\Omega$

Figure 5-5. I_{CC} vs Data Rate



$V_{CC} = 5\text{V}$ $V_{IO} = 3.3\text{V}$ $R_L = 60\Omega$

Figure 5-6. Loop delay vs Temperature

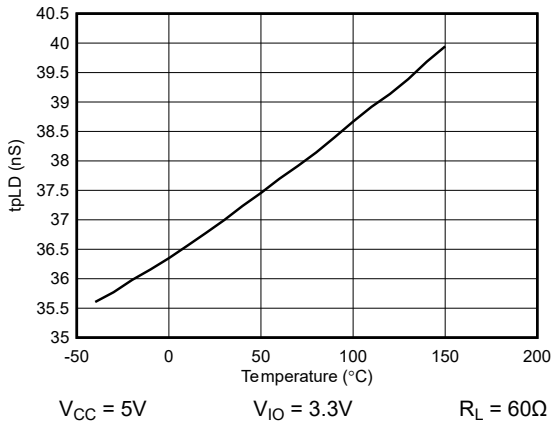


Figure 5-7. Driver propagation delay - High to Low

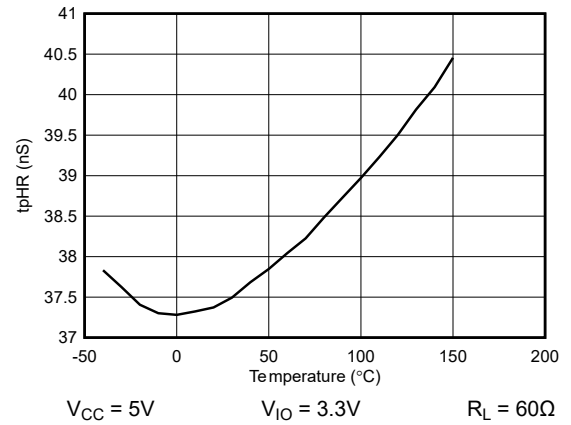


Figure 5-8. Driver propagation delay - Low to High

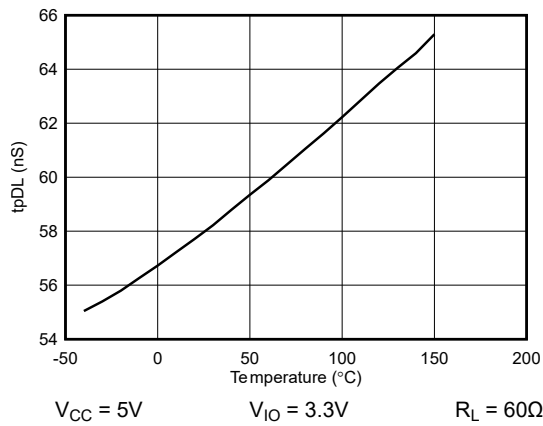


Figure 5-9. Receiver propagation delay - Bus dominant to RXD low

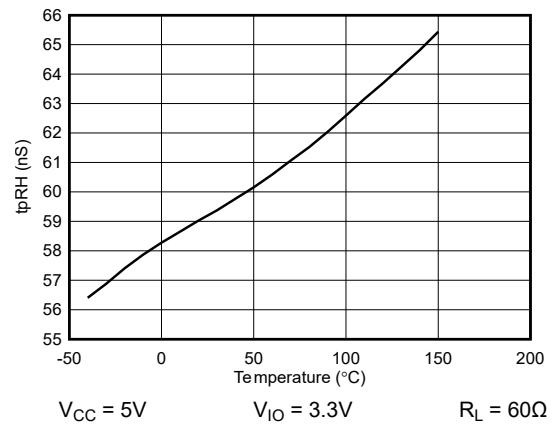


Figure 5-10. Receiver propagation delay - Bus recessive to RXD high

6 Parameter Measurement Information

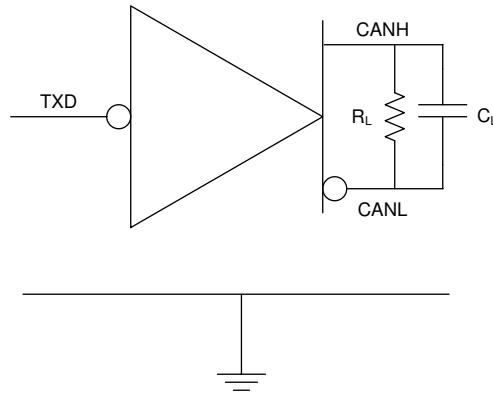


Figure 6-1. I_{CC} Test Circuit

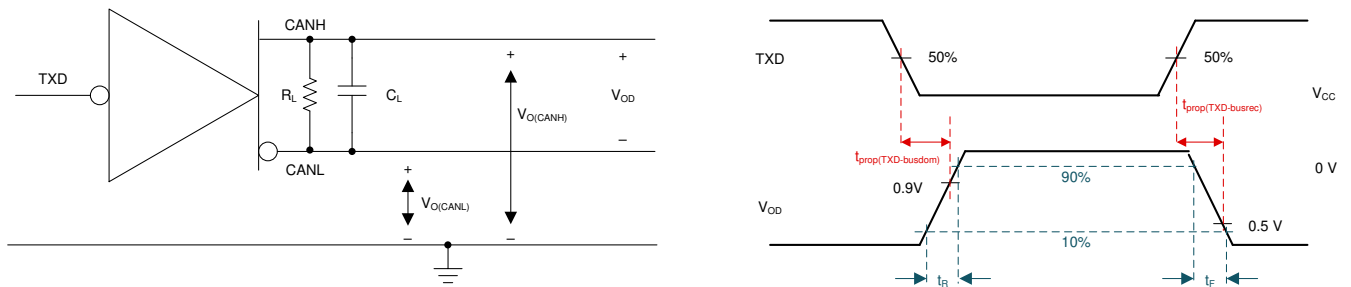


Figure 6-2. Driver Test Circuit and Measurement

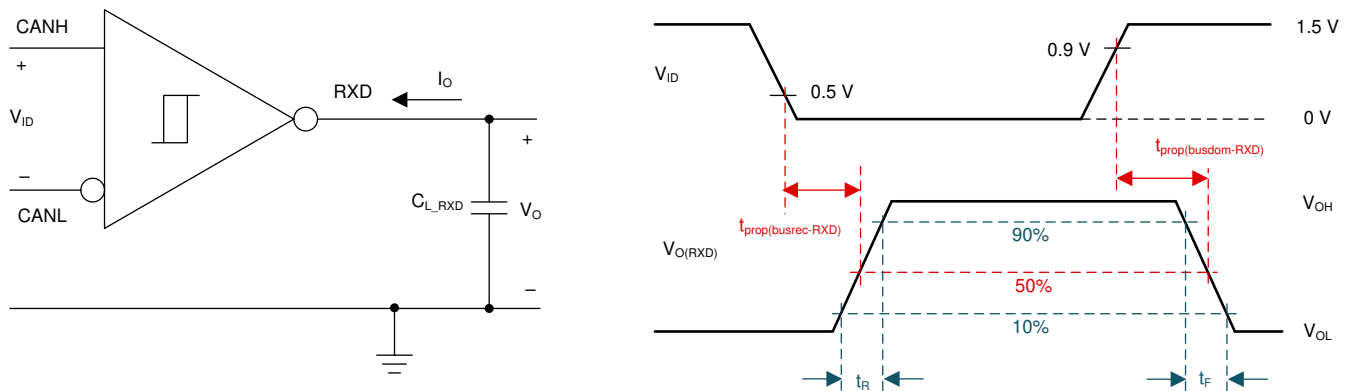


Figure 6-3. Receiver Test Circuit and Measurement

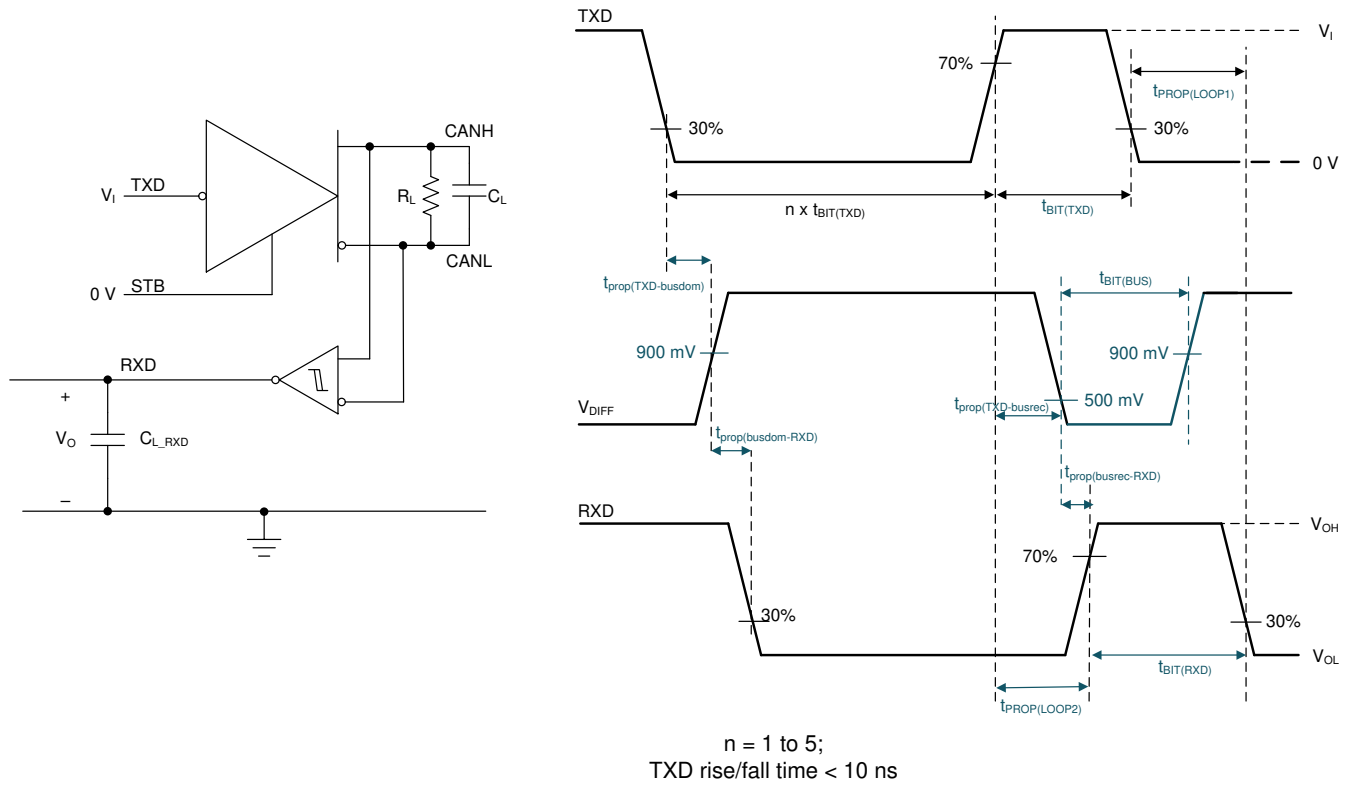


Figure 6-4. Transmitter and Receiver Timing Behavior Test Circuit and Measurement

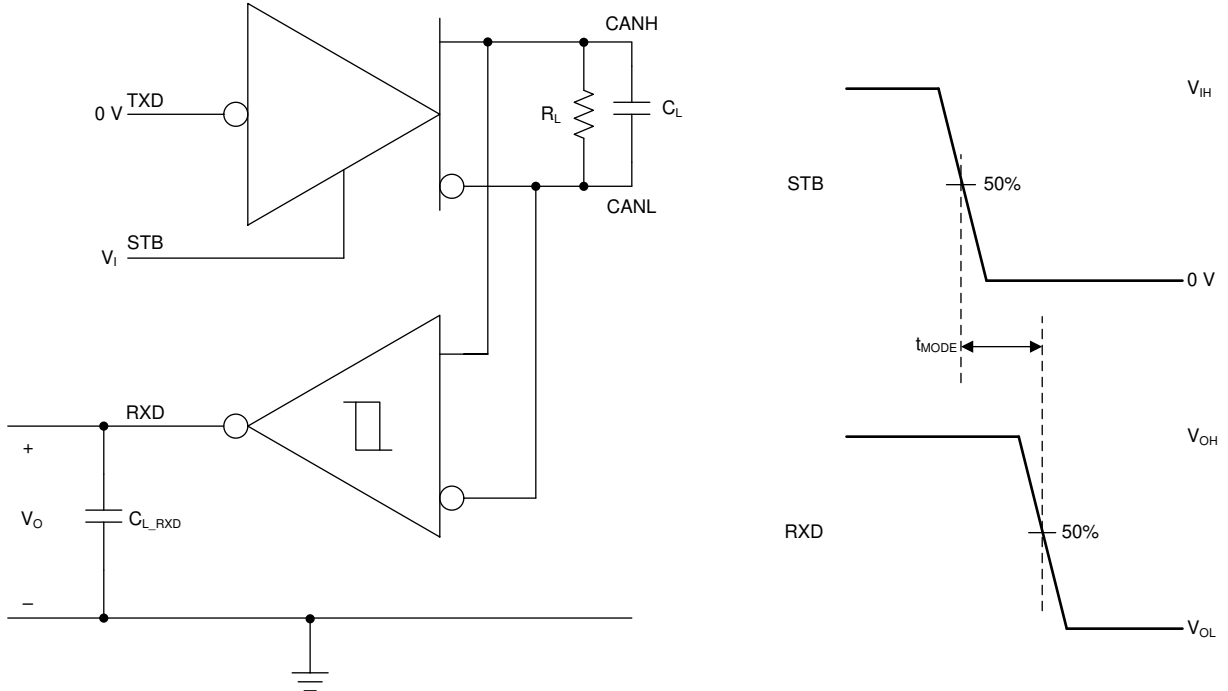


Figure 6-5. t_{MODE} Test Circuit and Measurement

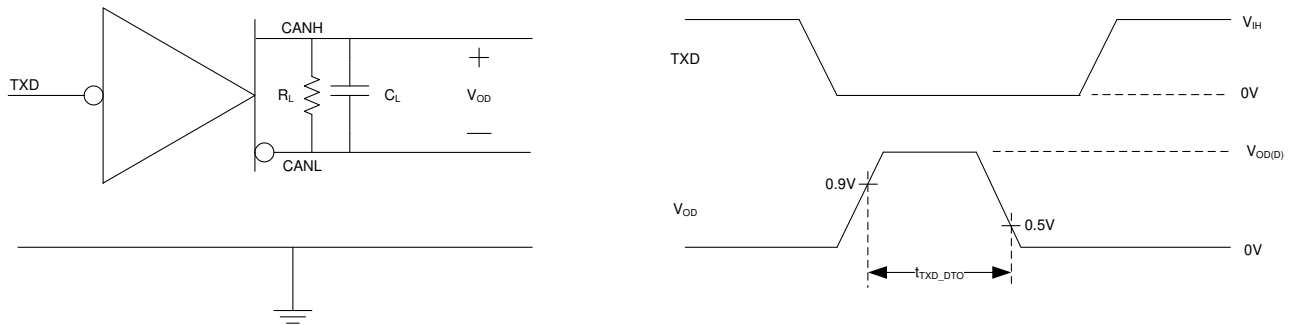


Figure 6-6. TXD Dominant Timeout Test Circuit and Measurement

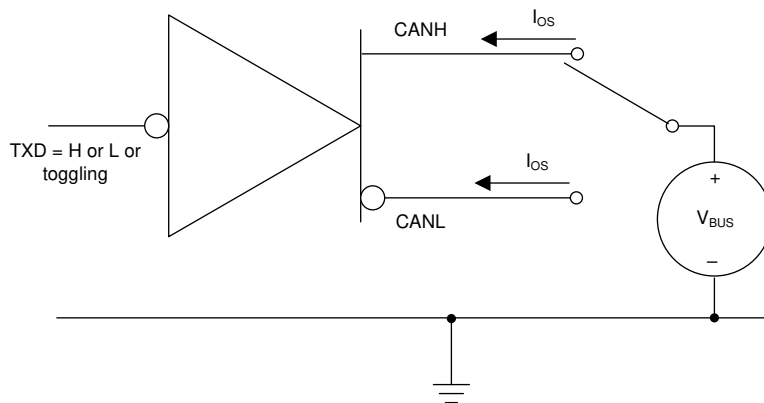


Figure 6-7. Driver Short-Circuit Current Test and Measurement

7 Detailed Description

7.1 Overview

The TCAN1472-Q1 devices meet or exceed the specifications of the Annex A Signal Improvement capability (SIC) specification of ISO 11898-2:2024 Controller Area Network physical layer standard. The devices are data rate agnostic making them backward compatible for supporting classical CAN applications while also supporting CAN FD networks up to 8Mbps. These devices have standby mode support which puts the transceiver in ultra-low current consumption mode. Upon receiving a valid wake-up pattern (WUP) on the CAN bus, the device signals to the microcontroller through the RXD pin. The MCU can then put the device into normal mode using the STB pin.

The TCAN1472V-Q1 has two separate supply rails, V_{CC} bus-side supply and V_{IO} logic supply for logic-level translation for interfacing directly to 1.8V, 2.5V, 3.3V, or 5V controllers.

7.1.1 Signal Improvement

Signal improvement is an additional capability added to CAN FD transceiver that enhances the maximum data rate achievable in complex star topologies by minimizing signal ringing. Signal ringing is the result of reflections caused by impedance mismatch at various points in a CAN network due to the nodes that act as stubs.

An example of a complex network is shown in [Figure 7-1](#).

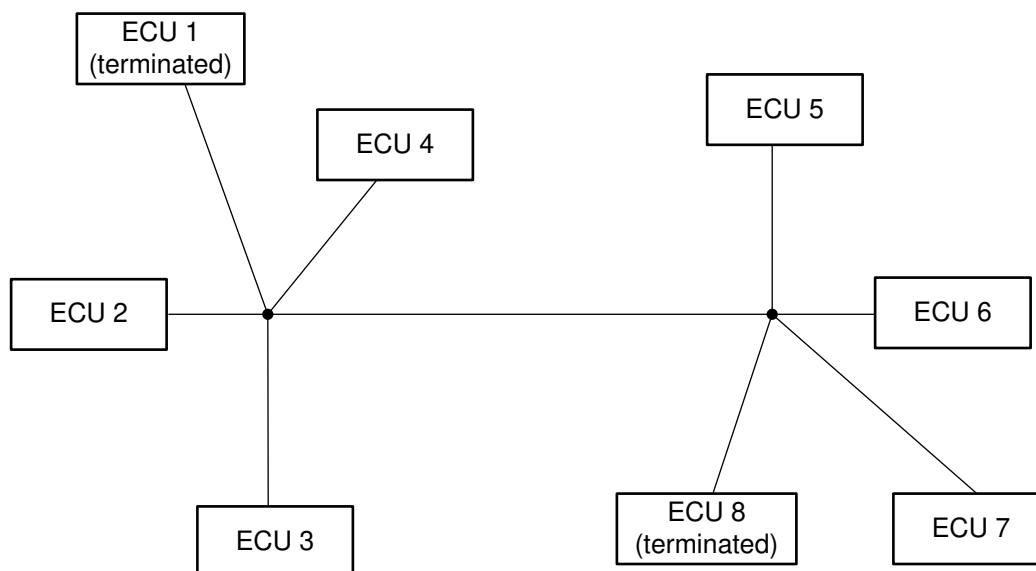


Figure 7-1. CAN Network: Star topology

Recessive-to-dominant signal edge is usually clean and driven by the transmitter. For a regular CAN FD transceiver, dominant-to-recessive edge is when the driver output impedance goes to approximately 60k Ω and signal reflected back experiences impedance mismatch which causes ringing. TCAN1472-Q1 resolves this issue by TX-based Signal improvement capability (SIC). The device continues to drive the bus recessive until $t_{SIC_TX_base}$, so the reflections die down and the recessive bit is clean at sampling point. In the active recessive phase, transmitter output impedance is low (approximately 100 Ω). After this phase is over and device goes to passive recessive phase, driver output impedance goes to high-Z. This phenomenon is explained with [Figure 7-2](#).

For more information on the TI signal improvement technology and the compares with similar devices in market, please refer to the white paper [How Signal Improvement Capability Unlocks the Real Potential of CAN-FD Transceivers](#).

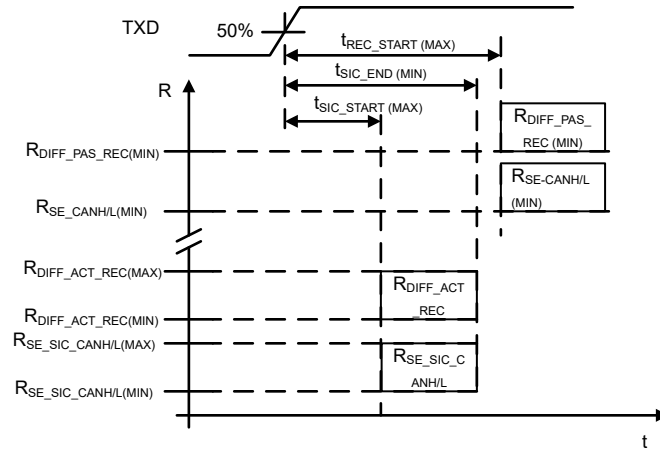


Figure 7-2. TX based SIC

7.2 Functional Block Diagram

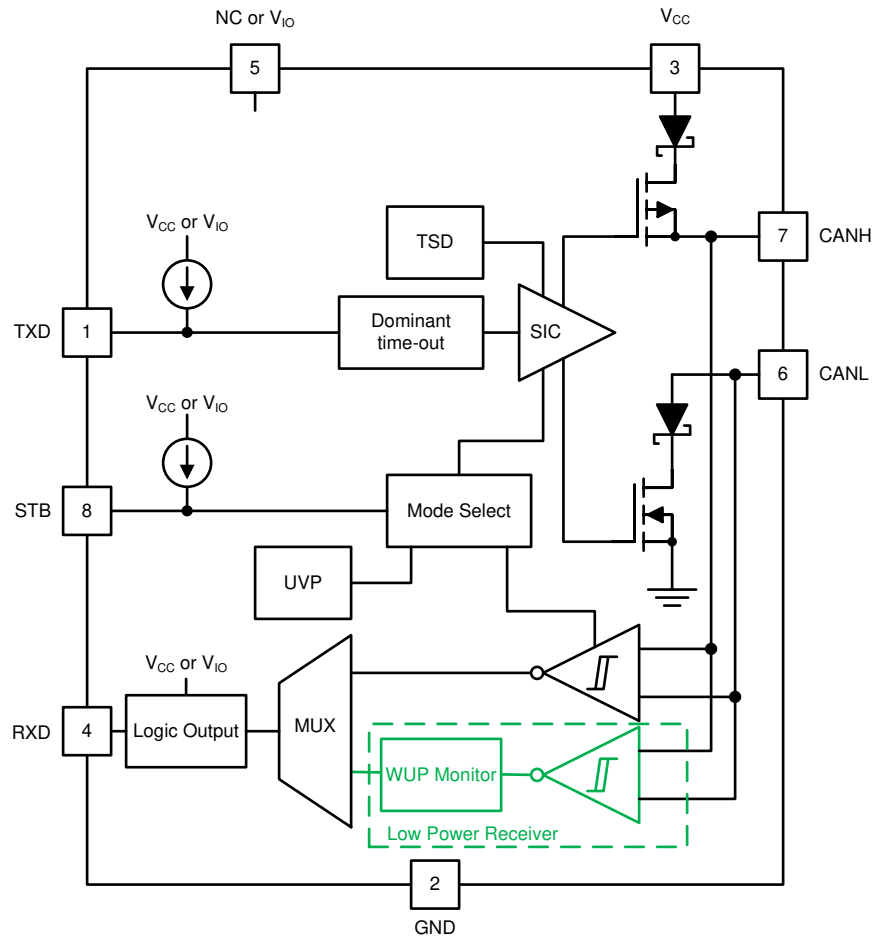


Figure 7-3. Block Diagram

7.3 Feature Description

7.3.1 Pin Description

7.3.1.1 TXD

The TXD input is a logic-level signal from a CAN controller to the transceiver. The input is referenced to V_{CC} for TCAN1472-Q1, or to V_{IO} for TCAN1472V-Q1.

7.3.1.2 GND

GND is the ground pin of the transceiver. The pin must be connected to the PCB ground.

7.3.1.3 V_{CC}

V_{CC} provides the 5V power supply to the CAN transceiver.

7.3.1.4 RXD

The RXD output is a logic-level signal from the CAN transceiver to the CAN controller. The output is referenced to V_{CC} for TCAN1472-Q1 and V_{IO} for TCAN1472V-Q1. For TCAN1472V-Q1, RXD is only driven once V_{IO} is present.

When a wake event takes place, RXD is driven low.

7.3.1.5 V_{IO} (TCAN1472V-Q1 only)

The V_{IO} pin provides the digital I/O voltage to match the CAN controller voltage; thus, avoiding the requirement for a level shifter. The pin supports a wide range of controller interface voltage levels from 1.7V to 5.5V.

7.3.1.6 CANH and CANL

These are the CAN high and CAN low differential bus pins. The pins are connected to the CAN transceiver and the low-voltage WUP CAN receiver.

7.3.1.7 STB (Standby)

The STB pin is an input pin used for mode control of the transceiver. The STB pin can be supplied from either the system processor or from a static system voltage source. If normal mode is the only intended mode of operation, then the STB pin can be tied directly to GND.

7.3.2 CAN Bus States

The CAN bus has two logical states during operation: recessive and dominant. See [Figure 7-4](#) and [Figure 7-5](#).

A dominant bus state occurs when the bus is driven differentially and corresponds to a logic low on the TXD and RXD pins. A recessive bus state occurs when the bus is biased to $V_{CC}/2$ via the high-resistance internal input resistors (R_{IN}) of the receiver and corresponds to a logic high on the TXD and RXD pins.

A dominant state overwrites the recessive state during arbitration. Multiple CAN nodes may be transmitting a dominant bit at the same time during arbitration, and in this case the differential voltage of the bus is greater than the differential voltage of a single driver.

The TCAN1472-Q1 transceiver implements a low-power standby (STB) mode which enables a third bus state where the bus pins are weakly biased to ground via the high resistance internal resistors of the receiver. See [Figure 7-4](#) and [Figure 7-5](#).

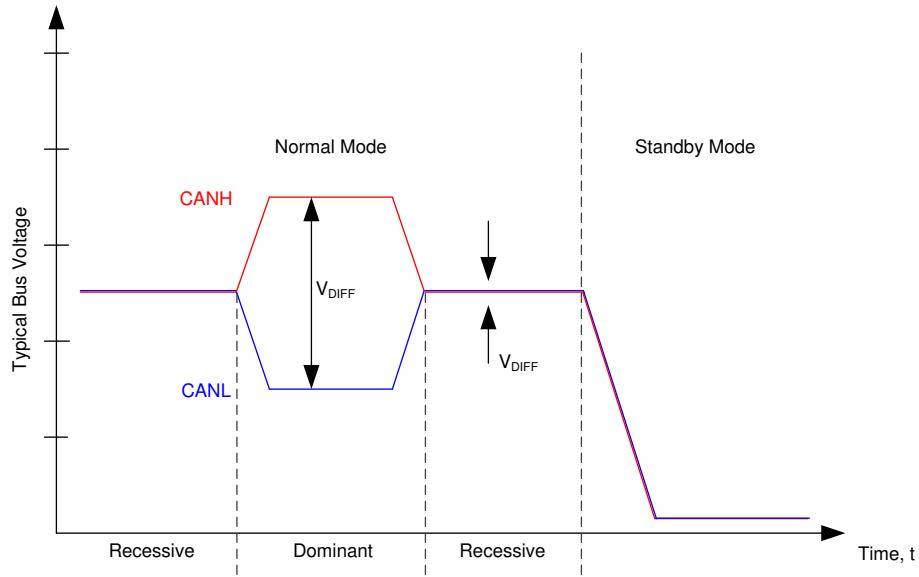
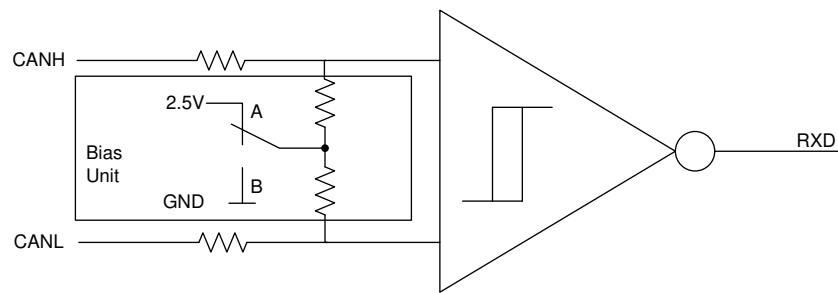


Figure 7-4. Bus States



- A. Normal Mode
- B. Standby Mode

Figure 7-5. Simplified Recessive Common Mode Bias Unit and Receiver

7.3.3 TXD Dominant Timeout (DTO)

During normal mode, the only mode where the CAN driver is active, the TXD DTO circuit prevents the local node from blocking network communication in the event of a hardware or software failure where TXD is held dominant longer than the timeout period t_{TXD_DTO} . The TXD DTO circuit is triggered by a falling edge on TXD. If no rising edge is seen before the timeout period of the circuit, t_{TXD_DTO} , the CAN driver is disabled. Freeing the bus for communication between other nodes on the network. The CAN driver is reactivated when a recessive signal is seen on the TXD pin; thus, clearing the dominant time out. The receiver remains active and biased to $V_{CC}/2$ and the RXD output reflects the activity on the CAN bus during the TXD DTO fault.

The minimum dominant TXD time allowed by the TXD DTO circuit limits the minimum possible transmitted data rate of the device. The CAN protocol allows a maximum of eleven successive dominant bits (on TXD) for the worst case, where five successive dominant bits are followed immediately by an error frame. The minimum transmitted data rate may be calculated using Equation 1.

$$\text{Minimum Data Rate} = 11 \text{ bits} / t_{TXD_DTO} = 11 \text{ bits} / 1.2\text{ms} = 9.2\text{kbps} \quad (1)$$

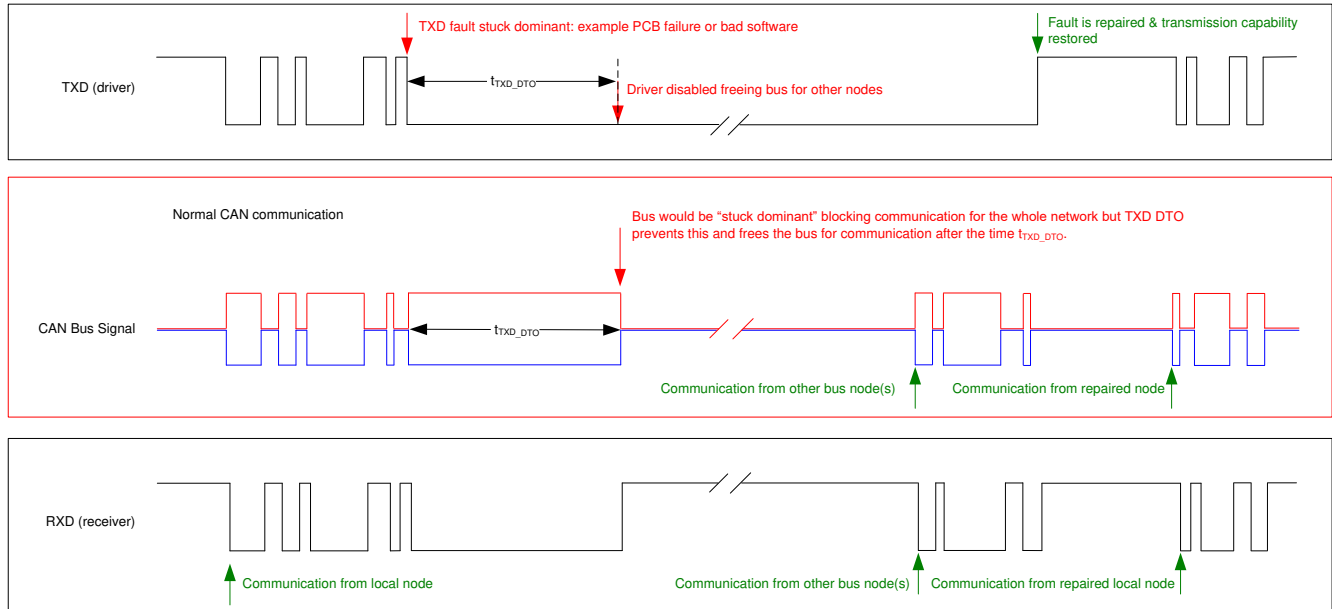


Figure 7-6. Example Timing Diagram for TXD Dominant Timeout

7.3.4 CAN Bus Short-circuit Current Limiting

The TCAN1472-Q1 has several protection features that limit the short-circuit current when a CAN bus line is shorted. These include CAN driver current limiting in the dominant and recessive states and TXD dominant state timeout which prevents permanently having the higher short-circuit current of a dominant state in case of a system fault. During CAN communication the bus switches between the dominant and recessive states; thus, the short-circuit current may be viewed as either the current during each bus state or as a DC average current. When selecting termination resistors or a common mode choke for the CAN design the average power rating, $I_{OS(AVG)}$, should be used. The percentage dominant is limited by the TXD DTO and the CAN protocol which has forced state changes and recessive bits due to bit stuffing, control fields, and inter frame space. These make sure there is a minimum amount of recessive time on the bus even if the data field contains a high percentage of dominant bits.

The average short-circuit current of the bus depends on the ratio of recessive to dominant bits and their respective short-circuit currents. The average short-circuit current may be calculated using [Equation 2](#).

$$I_{OS(AVG)} = \% \text{ Transmit} \times [(\% \text{ REC_Bits} \times I_{OS(SS)_REC}) + (\% \text{ DOM_Bits} \times I_{OS(SS)_DOM})] + [\% \text{ Receive} \times I_{OS(SS)_REC}] \quad (2)$$

Where:

- $I_{OS(AVG)}$ is the average short-circuit current
- % Transmit is the percentage the node is transmitting CAN messages
- % Receive is the percentage the node is receiving CAN messages
- % REC_Bits is the percentage of recessive bits in the transmitted CAN messages
- % DOM_Bits is the percentage of dominant bits in the transmitted CAN messages
- $I_{OS(SS)_REC}$ is the recessive steady state short-circuit current
- $I_{OS(SS)_DOM}$ is the dominant steady state short-circuit current

This short-circuit current and the possible fault cases of the network are taken into consideration when sizing the power supply used to generate the transceivers V_{CC} supply.

7.3.5 Thermal Shutdown (TSD)

If the junction temperature of the TCAN1472-Q1 exceeds the thermal shutdown threshold, T_{TSD} , the device turns off the CAN driver circuitry and blocks the TXD to bus transmission path. The shutdown condition is cleared when the junction temperature of the device drops below T_{TSD} . The CAN bus pins are biased to $V_{CC}/2$ during a TSD fault and the receiver to RXD path remains operational. The TCAN1472-Q1 TSD circuit includes hysteresis which prevents the CAN driver output from oscillating during a TSD fault.

7.3.6 Undervoltage Lockout

The supply pins, V_{CC} and V_{IO} , have undervoltage detection that places the device into a protected state. This protects the bus during an undervoltage event on either supply pin.

Table 7-1. Undervoltage Lockout, TCAN1472-Q1

V_{CC}	DEVICE STATE	BUS	RXD PIN
$> UV_{VCC}$	Normal	Per TXD	Mirrors bus
$< UV_{VCC}$	Protected	High impedance	High impedance

Table 7-2. Undervoltage Lockout, TCAN1472V-Q1

V_{CC}	V_{IO}	DEVICE STATE	BUS	RXD PIN
$> UV_{VCC}$	$> UV_{VIO}$	Normal	Per TXD	Mirrors bus
$< UV_{VCC}$	$> UV_{VIO}$	STB = V_{IO} : standby mode	High impedance	V_{IO} : Remote wake request ⁽¹⁾
		STB = GND: Protected		Recessive
$> UV_{VCC}$	$< UV_{VIO}$	Protected		High impedance
$< UV_{VCC}$	$< UV_{VIO}$	Protected		High impedance

(1) See [Remote Wake Request via Wake-Up Pattern \(WUP\) in Standby Mode](#)

Once the undervoltage condition is cleared and t_{MODE} has expired, the TCAN1472-Q1 transitions to normal mode and the host controller can send and receive CAN traffic again.

7.3.7 Unpowered Device

The TCAN1472-Q1 is designed to be a passive or no load to the CAN bus if the device is unpowered. The bus pins were designed to have low leakage currents when the device is unpowered to not load the bus. This is critical if some nodes of the network are unpowered while the rest of the of network remains operational.

The logic pins also have low leakage currents when the device is unpowered to not load other circuits which may remain powered.

7.3.8 Floating pins

The TCAN1472-Q1 has internal pull-ups on critical pins which place the device into known states if the pin floats. This internal bias should not be relied upon by design though, especially in noisy environments, but instead should be considered a failsafe protection feature.

When a CAN controller supporting open-drain outputs is used, an adequate external pull-up resistor must be chosen. Making sures the TXD output of the CAN controller maintains acceptable bit time to the input of the CAN transceiver. See [Table 7-3](#) for details on pin bias conditions.

Table 7-3. Pin Bias

Pin	Pull-up or Pull-down	Comment
TXD	Pull-up	Weakly biases TXD towards recessive to prevent bus blockage or TXD DTO triggering
STB	Pull-up	Weakly biases STB towards low-power standby mode to prevent excessive system power

7.4 Device Functional Modes

7.4.1 Operating Modes

The TCAN1472-Q1 has two main operating modes; normal mode and standby mode. Operating mode selection is made by applying a high or low level to the STB pin on the TCAN1472-Q1.

Table 7-4. Operating Modes

STB	Device Mode	Driver	Receiver	RXD Pin
High	Low current standby mode with bus wake-up	Disabled	Low-power receiver and bus monitor enable	High (recessive) until valid WUP is received. See ⁽¹⁾
Low	Normal Mode	Enabled	Enabled	Mirrors bus state

(1) See [Remote Wake Request via Wake-Up Pattern \(WUP\) in Standby Mode](#)

7.4.2 Normal Mode

This is the normal operating mode of the TCAN1472-Q1. The CAN driver and receiver are fully operational and CAN communication is bi-directional. The driver is translating a digital input on the TXD input to a differential output on the CANH and CANL bus pins. The receiver is translating the differential signal from CANH and CANL to a digital output on the RXD output.

7.4.3 Standby Mode

This is the low-power mode of the TCAN1472-Q1. The CAN driver and main receiver are switched off and bi-directional CAN communication is not possible. The low-power receiver and bus monitor circuits are enabled to allow for RXD wake-up requests via the CAN bus. A wake-up request is output to RXD as shown in [Figure 7-7](#). The local CAN protocol controller should monitor RXD for transitions (high-to-low) and reactivate the device to normal mode by pulling the STB pin low. The CAN bus pins are weakly pulled to GND in this mode (see [Figure 7-4](#) and [Figure 7-5](#)).

In standby mode, only the V_{IO} supply is required therefore the V_{CC} may be switched off for additional system level current savings.

7.4.3.1 Remote Wake Request via Wake-Up Pattern (WUP) in Standby Mode

The TCAN1472-Q1 supports a remote wake-up request that is used to indicate to the host controller that the bus is active and the node should return to normal operation.

The device uses the multiple filtered dominant wake-up pattern (WUP) from the ISO 11898-2:2024 standard to qualify bus activity. Once a valid WUP has been received, the wake request is indicated to the controller by a falling edge and low period corresponding to a filtered dominant on the RXD output of the TCAN1472-Q1.

The Wake-Up Pattern (WUP) comprises four pulses: a filtered dominant, followed by a filtered recessive, then another filtered dominant, and finally another filtered recessive. After the first filtered dominant pulse, the bus monitor waits for a filtered recessive without being reset by other bus traffic and does the same until second filtered recessive pulse. Upon receiving the second filtered recessive pulse, WUP is recognized. RXD is set permanently low upon subsequent dominant pulses.

For a dominant or recessive to be considered filtered, the bus must be in that state for more than the t_{WK_FILTER} time. Due to variability in t_{WK_FILTER} the following scenarios are applicable. Bus state times less than $t_{WK_FILTER(MIN)}$ are never detected as part of a WUP, and therefore, no wake request is generated. Bus state times between $t_{WK_FILTER(MIN)}$ and $t_{WK_FILTER(MAX)}$ may be detected as part of a WUP and a wake-up request may be generated. Bus state times greater than $t_{WK_FILTER(MAX)}$ are always detected as part of a WUP, and thus a wake request is always generated. See [Figure 7-7](#) for the timing diagram of the wake-up pattern.

The pattern and t_{WK_FILTER} time used for the WUP prevents noise and bus stuck dominant faults from causing false wake-up requests while allowing any valid message to initiate a wake-up request.

The ISO 11898-2:2024 standard has defined wake-up filter time to enable 1Mbps arbitration.

For an additional layer of robustness and to prevent false wake-ups, the device implements a wake-up timeout feature. For a remote wake-up event to successfully occur, the entire WUP must be received within the timeout

value $t \leq t_{WK_TIMEOUT}$. If not, the internal logic is reset and the transceiver remains in the current state without waking up. The full pattern must then be transmitted again, conforming to the constraints mentioned in this section. See Figure 7-7 for the timing diagram of the wake-up pattern with wake timeout feature.

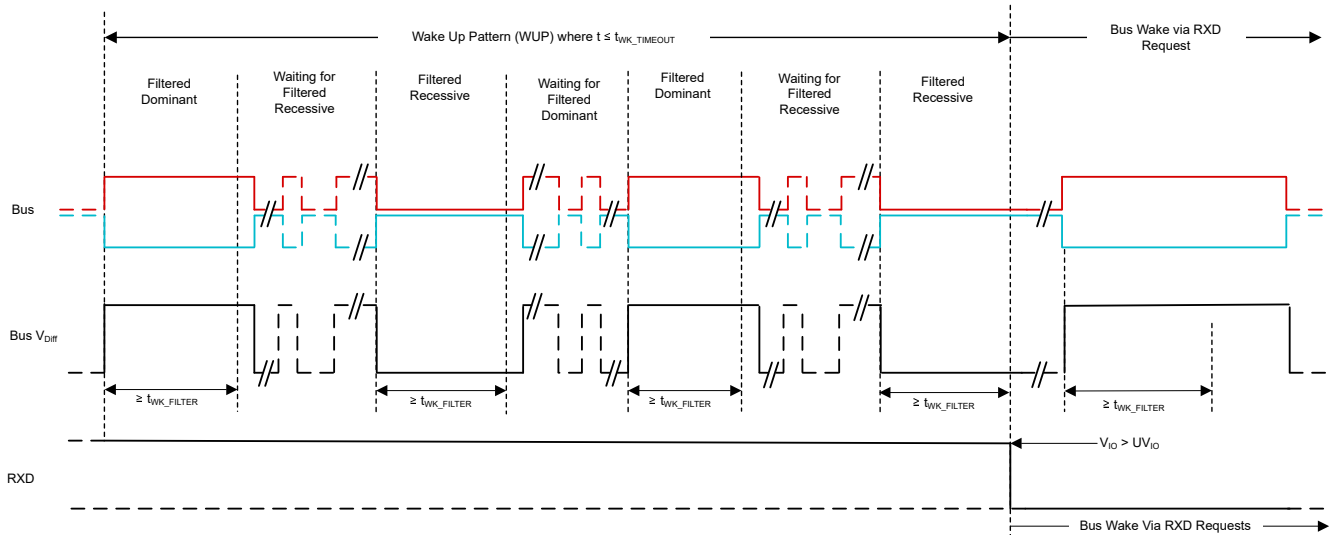


Figure 7-7. Wake-Up Pattern (WUP) with $t_{WK_TIMEOUT}$

7.4.4 Driver and Receiver Function

The digital logic input and output levels for the TCAN1472-Q1 are CMOS levels with respect to V_{CC} . For TCAN1472V-Q1, these are referred to V_{IO} for compatibility with MCUs having 1.8V, 2.5V, 3.3V, or 5V supply.

Table 7-5. Driver Function Table

Device Mode	TXD Input ⁽¹⁾	Bus Outputs		Driven Bus State ⁽²⁾
		CANH	CANL	
Normal	Low	High	Low	Dominant
	High or open	High impedance	High impedance	Biased recessive
Standby	X	High impedance	High impedance	Biased to ground

(1) X = irrelevant

(2) For bus state and bias see Figure 7-4 and Figure 7-5.

Table 7-6. Receiver Function Table Normal and Standby Mode

Device Mode	CAN Differential Inputs $V_{ID} = V_{CANH} - V_{CANL}$	Bus State	RXD Pin
Normal	$V_{ID} \geq 0.9V$	Dominant	Low
	$0.5V < V_{ID} < 0.9V$	Undefined	Undefined
	$V_{ID} \leq 0.5V$	Recessive	High
Standby	$V_{ID} \geq 1.15V$	Dominant	High Low if a remote wake event occurred. See Figure 7-7
	$0.4V < V_{ID} < 1.15V$	Undefined	
	$V_{ID} \leq 0.4V$	Recessive	
Any	Open ($V_{ID} \approx 0V$)	Open	High

8 Application and Implementation

Note

Information in the following applications sections is not part of the TI component specification, and TI does not warrant its accuracy or completeness. TI's customers are responsible for determining suitability of components for their purposes, as well as validating and testing their design implementation to confirm system functionality.

8.1 Application Information

The TCAN1472-Q1 transceiver can be used in applications with a host controller or FPGA that includes the link layer portion of the CAN protocol. [Figure 8-1](#) shows a typical configuration for 5V controller applications. The bus termination is shown for illustrative purposes.

8.2 Typical Application

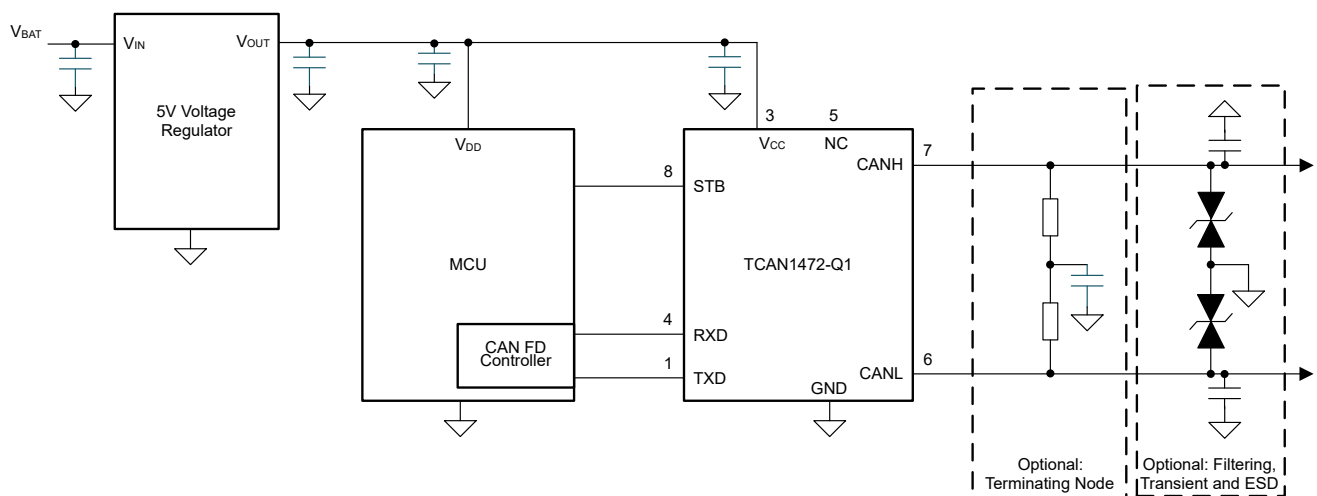


Figure 8-1. Transceiver Application Using 5V I/O Connections

8.2.1 Design Requirements

8.2.1.1 CAN Termination

Termination may be a single 120Ω resistor at each end of the bus, either on the cable or in a terminating node. If filtering and stabilization of the common-mode voltage of the bus is desired then split termination may be used, see Figure 8-2. Split termination improves the electromagnetic emissions behavior of the network by filtering higher-frequency common-mode noise that may be present on the differential signal lines.

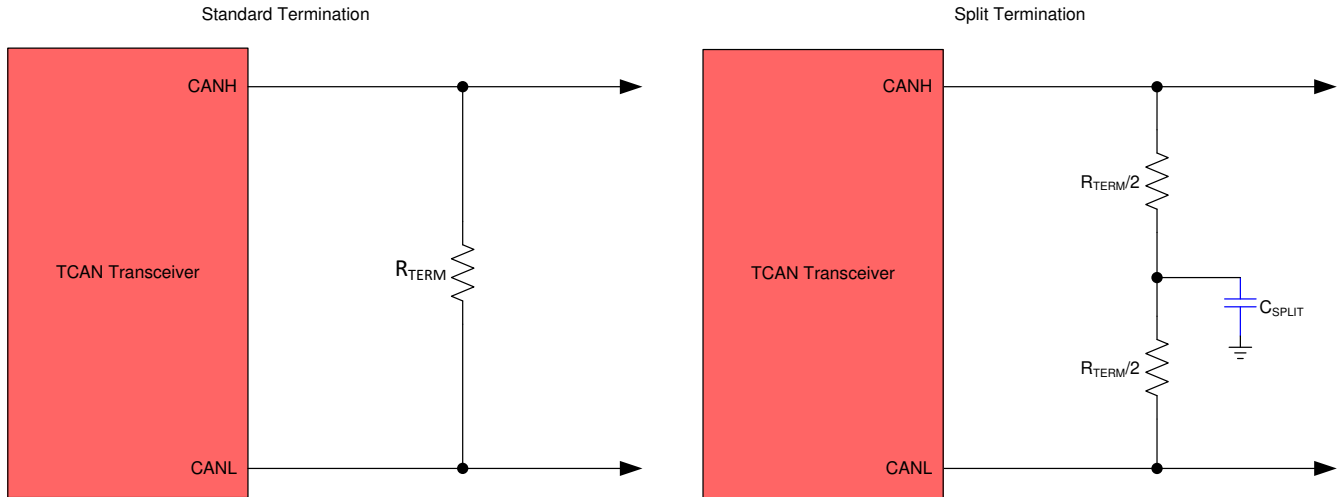


Figure 8-2. CAN Bus Termination Concepts

8.2.2 Detailed Design Procedures

8.2.2.1 Bus Loading, Length and Number of Nodes

A typical CAN application may have a maximum bus length of 40 meters and maximum stub length of 0.3 m. However, with careful design, users can have longer cables, longer stub lengths, and many more nodes to a bus. A high number of nodes requires a transceiver with high input impedance such as the TCAN1472-Q1. Additionally, since TCAN1472-Q1 has SIC, in a given network size, higher data rate can be achieved because signal ringing is attenuated.

Many CAN organizations and standards have scaled the use of CAN for applications outside the original ISO 11898-2 standard. There are system level trade off decisions for data rate, cable length, and parasitic loading of the bus. Examples of these CAN systems level specifications are ARINC 825, CANopen, DeviceNet, SAE J2284, SAE J1939, and NMEA 2000.

A CAN network system design is a series of tradeoffs. In the ISO 11898-2:2024 specification, the driver differential output is specified with a bus load that can range from 45Ω to 65Ω where the differential output must be greater than 1.5V. The TCAN1472-Q1 family is specified to meet the 1.5V requirement down to 45Ω bus load. The differential input resistance of the TCAN1472-Q1 is a minimum of $40k\Omega$. If 100 TCAN1472-Q1 transceivers are in parallel on a bus, this is equivalent to a 400Ω differential load in parallel with the nominal 60Ω bus termination which gives a total bus load of approximately 52Ω . Therefore, the TCAN1472-Q1 family theoretically supports over 100 transceivers on a single bus segment. However, for a CAN network design margin must be given for signal loss across the system and cabling, parasitic loadings, timing, network imbalances, ground offsets and signal integrity thus a practical maximum number of nodes is often lower. Bus length may also be extended beyond 40 meters by careful system design and data rate tradeoffs. For example, CANopen network design guidelines allow the network to be up to 1km with changes in the termination resistance, cabling, less than 64 nodes and significantly lowered data rate.

This flexibility in CAN network design is one of the key strengths of the various extensions and additional standards that have been built on the original ISO 11898-2 CAN standard. However, when using this flexibility the CAN network system, the designer must take the responsibility of good network design for a robust network operation.

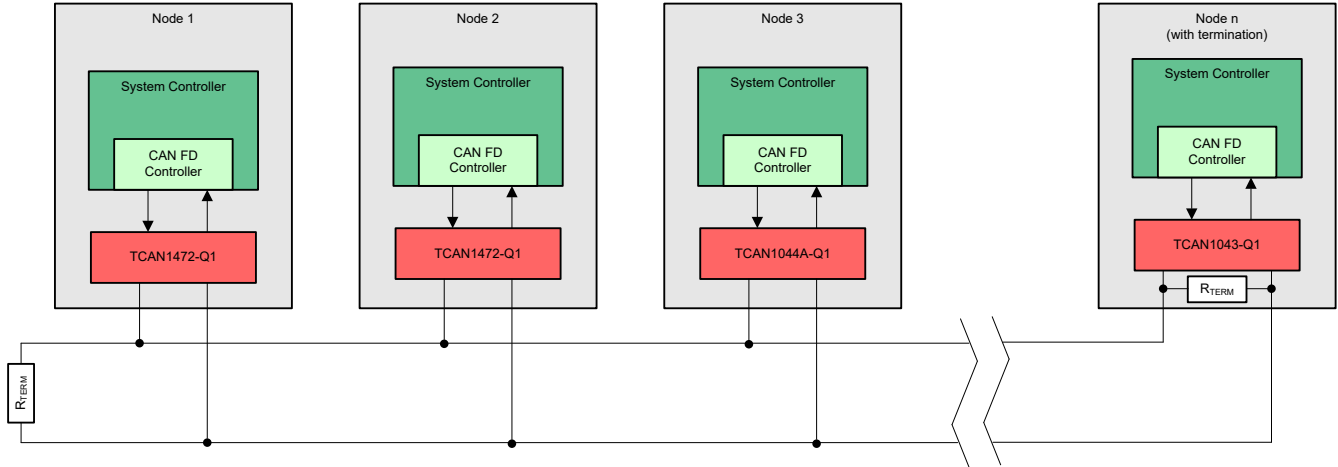


Figure 8-3. Typical CAN Bus

8.2.3 Application Curves

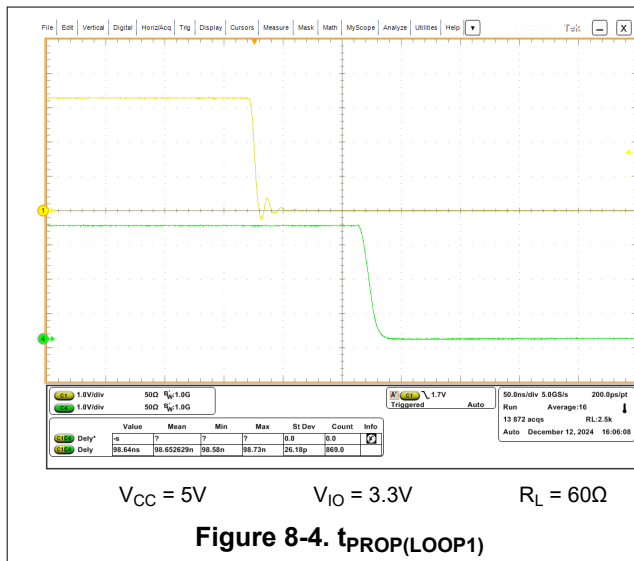


Figure 8-4. $t_{PROP(LOOP1)}$

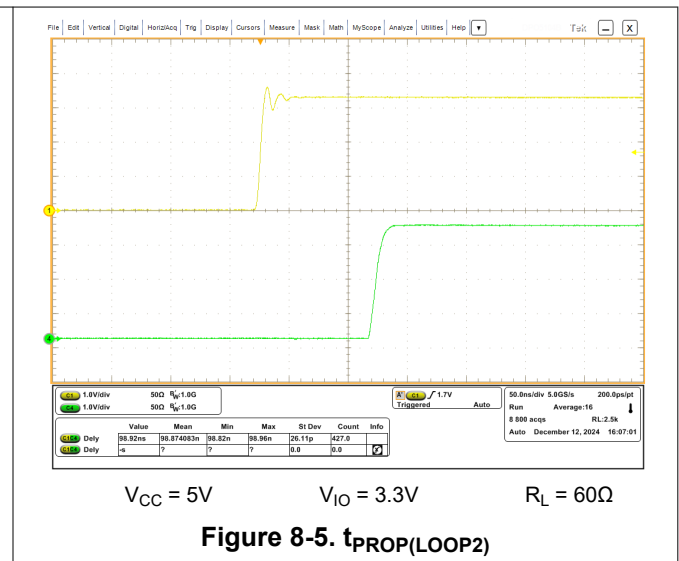


Figure 8-5. $t_{PROP(LOOP2)}$

8.3 System Examples

The TCAN1472-Q1 CAN transceiver is typically used in applications with a host controller or FPGA that includes the link layer portion of the CAN protocol. A 1.8V, 2.5V, or 3.3V application is shown in Figure 8-6. The bus termination is shown for illustrative purposes.

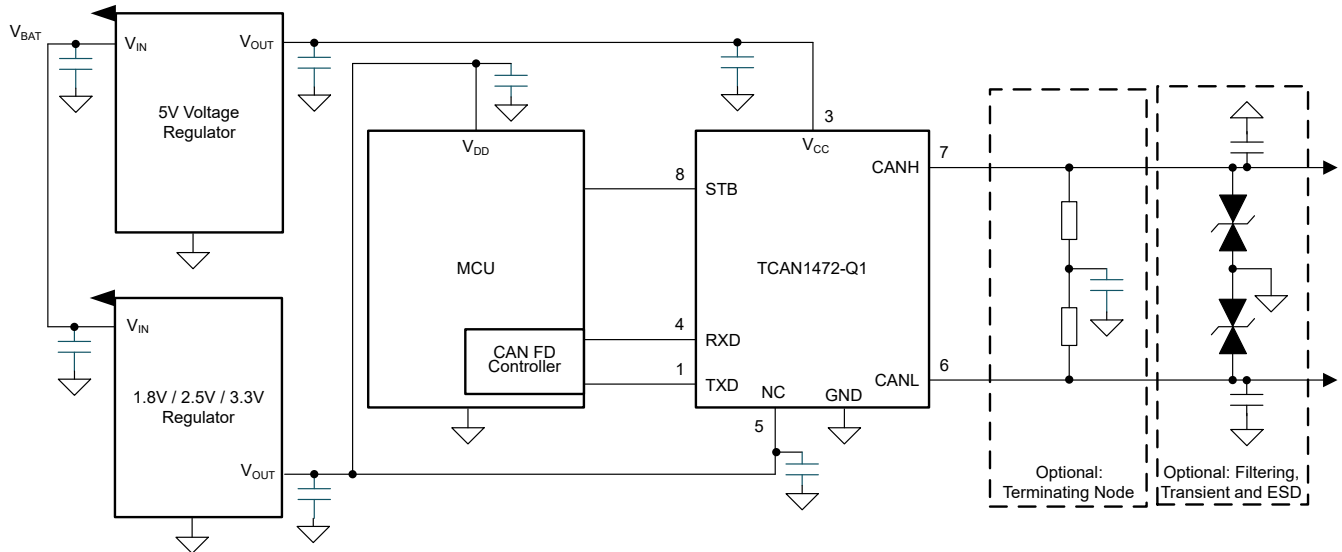


Figure 8-6. Typical Transceiver Application Using 1.8V, 2.5V, 3.3V IO Connections

8.4 Power Supply Recommendations

The TCAN1472-Q1 transceiver is designed to operate with a main V_{CC} input voltage supply range between 4.5V and 5.5V. The TCAN1472V-Q1 implements an I/O level shifting supply input, V_{IO} , designed for a range between 1.8V and 5.5V. Both supply inputs must be well regulated. A decoupling capacitance, typically 100nF, should be placed near the CAN transceiver main V_{CC} supply pin in addition to bypass capacitors. A decoupling capacitor, typically 100nF, should be placed near the CAN transceiver V_{IO} supply pin in addition to bypass capacitors.

8.5 Layout

8.5.1 Layout Guidelines

- Place the protection and filtering circuitry close to the bus connector, J1, to prevent transients, ESD, and noise from propagating onto the board. This layout example shows an optional transient voltage suppression (TVS) diode, D1, which may be implemented if the system-level requirements exceed the specified rating of the transceiver. This example also shows optional bus filter capacitors C4 and C5.
- Design the bus protection components in the direction of the signal path. Do not force the transient current to divert from the signal path to reach the protection device.
- Decoupling capacitors should be placed as close as possible to the supply pins V_{CC} and V_{IO} of transceiver.
- Use at least two vias for supply and ground connections of bypass capacitors and protection devices to minimize trace and via inductance.

Note

High frequency current follows the path of least impedance and not the path of least resistance.

- This layout example shows how split termination could be implemented on the CAN node. The termination is split into two resistors, R4 and R5, with the center or split tap of the termination connected to ground via capacitor C3. Split termination provides common mode filtering for the bus. See [CAN Termination](#), and [CAN Bus Short Circuit Current Limiting](#) for information on termination concepts and power ratings needed for the termination resistor(s).

8.5.2 Layout Example

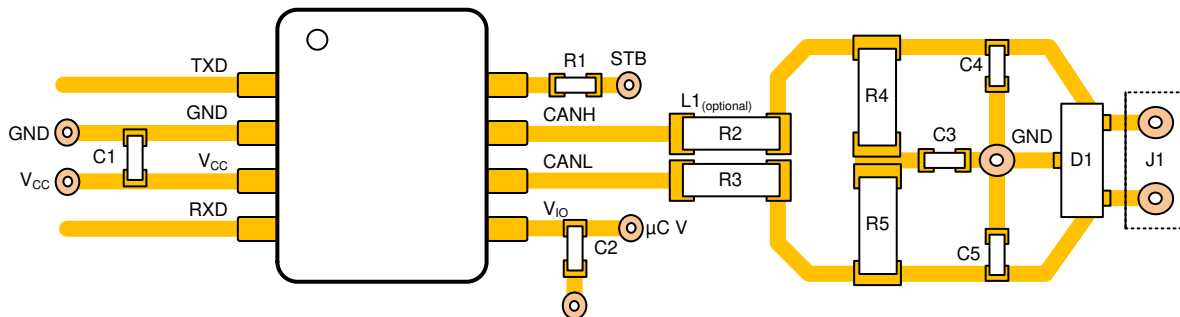


Figure 8-7. Layout Example

9 Device and Documentation Support

9.1 Receiving Notification of Documentation Updates

To receive notification of documentation updates, navigate to the device product folder on ti.com. In the upper right corner, click on *Alert me* to register and receive a weekly digest of any product information that has changed. For change details, review the revision history included in any revised document.

9.2 Support Resources

[TI E2E™ support forums](#) are an engineer's go-to source for fast, verified answers and design help — straight from the experts. Search existing answers or ask your own question to get the quick design help you need.

Linked content is provided "AS IS" by the respective contributors. They do not constitute TI specifications and do not necessarily reflect TI's views; see TI's [Terms of Use](#).

9.3 Trademarks

TI E2E™ is a trademark of Texas Instruments.
All trademarks are the property of their respective owners.

9.4 Electrostatic Discharge Caution



This integrated circuit can be damaged by ESD. Texas Instruments recommends that all integrated circuits be handled with appropriate precautions. Failure to observe proper handling and installation procedures can cause damage.

ESD damage can range from subtle performance degradation to complete device failure. Precision integrated circuits may be more susceptible to damage because very small parametric changes could cause the device not to meet its published specifications.

9.5 Glossary

[TI Glossary](#) This glossary lists and explains terms, acronyms, and definitions.

10 Revision History

Changes from Revision * (June 2024) to Revision A (December 2024)	Page
• Changed the document status from Advanced Information to <i>Production</i> data.....	1

11 Mechanical, Packaging, and Orderable Information

The following pages include mechanical, packaging, and orderable information. This information is the most current data available for the designated devices. This data is subject to change without notice and revision of this document. For browser-based versions of this data sheet, refer to the left-hand navigation.

PACKAGING INFORMATION

Orderable part number	Status (1)	Material type (2)	Package Pins	Package qty Carrier	RoHS (3)	Lead finish/ Ball material (4)	MSL rating/ Peak reflow (5)	Op temp (°C)	Part marking (6)
TCAN1472DDFRQ1	Active	Production	SOT-23-THIN (DDF) 8	3000 LARGE T&R	Yes	NIPDAU	Level-1-260C-UNLIM	-40 to 150	3LAF
TCAN1472DRBRQ1	Active	Production	SON (DRB) 8	3000 LARGE T&R	Yes	NIPDAU	Level-2-260C-1 YEAR	-40 to 150	1472
TCAN1472DRBRQ1.A	Active	Production	SON (DRB) 8	3000 LARGE T&R	Yes	NIPDAU	Level-2-260C-1 YEAR	-40 to 150	1472
TCAN1472DRQ1	Active	Production	SOIC (D) 8	3000 LARGE T&R	Yes	NIPDAU	Level-1-260C-UNLIM	-40 to 150	1472
TCAN1472DRQ1.A	Active	Production	SOIC (D) 8	3000 LARGE T&R	Yes	NIPDAU	Level-1-260C-UNLIM	-40 to 150	1472
TCAN1472VDDFRQ1	Active	Production	SOT-23-THIN (DDF) 8	3000 LARGE T&R	Yes	NIPDAU	Level-1-260C-UNLIM	-40 to 150	3LBF
TCAN1472VDRBRQ1	Active	Production	SON (DRB) 8	3000 LARGE T&R	Yes	NIPDAU	Level-2-260C-1 YEAR	-40 to 150	1472V
TCAN1472VDRBRQ1.A	Active	Production	SON (DRB) 8	3000 LARGE T&R	Yes	NIPDAU	Level-2-260C-1 YEAR	-40 to 150	1472V
TCAN1472VDRQ1	Active	Production	SOIC (D) 8	3000 LARGE T&R	Yes	NIPDAU	Level-1-260C-UNLIM	-40 to 150	1472V
TCAN1472VDRQ1.A	Active	Production	SOIC (D) 8	3000 LARGE T&R	Yes	NIPDAU	Level-1-260C-UNLIM	-40 to 150	1472V

(1) **Status:** For more details on status, see our [product life cycle](#).

(2) **Material type:** When designated, preproduction parts are prototypes/experimental devices, and are not yet approved or released for full production. Testing and final process, including without limitation quality assurance, reliability performance testing, and/or process qualification, may not yet be complete, and this item is subject to further changes or possible discontinuation. If available for ordering, purchases will be subject to an additional waiver at checkout, and are intended for early internal evaluation purposes only. These items are sold without warranties of any kind.

(3) **RoHS values:** Yes, No, RoHS Exempt. See the [TI RoHS Statement](#) for additional information and value definition.

(4) **Lead finish/Ball material:** Parts may have multiple material finish options. Finish options are separated by a vertical ruled line. Lead finish/Ball material values may wrap to two lines if the finish value exceeds the maximum column width.

(5) **MSL rating/Peak reflow:** The moisture sensitivity level ratings and peak solder (reflow) temperatures. In the event that a part has multiple moisture sensitivity ratings, only the lowest level per JEDEC standards is shown. Refer to the shipping label for the actual reflow temperature that will be used to mount the part to the printed circuit board.

(6) **Part marking:** There may be an additional marking, which relates to the logo, the lot trace code information, or the environmental category of the part.

Multiple part markings will be inside parentheses. Only one part marking contained in parentheses and separated by a "~" will appear on a part. If a line is indented then it is a continuation of the previous line and the two combined represent the entire part marking for that device.

Important Information and Disclaimer: The information provided on this page represents TI's knowledge and belief as of the date that it is provided. TI bases its knowledge and belief on information provided by third parties, and makes no representation or warranty as to the accuracy of such information. Efforts are underway to better integrate information from third parties. TI has taken and continues to take reasonable steps to provide representative

and accurate information but may not have conducted destructive testing or chemical analysis on incoming materials and chemicals. TI and TI suppliers consider certain information to be proprietary, and thus CAS numbers and other limited information may not be available for release.

In no event shall TI's liability arising out of such information exceed the total purchase price of the TI part(s) at issue in this document sold by TI to Customer on an annual basis.

TAPE AND REEL INFORMATION

QUADRANT ASSIGNMENTS FOR PIN 1 ORIENTATION IN TAPE


*All dimensions are nominal

Device	Package Type	Package Drawing	Pins	SPQ	Reel Diameter (mm)	Reel Width W1 (mm)	A0 (mm)	B0 (mm)	K0 (mm)	P1 (mm)	W (mm)	Pin1 Quadrant
TCAN1472DDFRQ1	SOT-23-THIN	DDF	8	3000	180.0	8.4	3.2	3.2	1.4	4.0	8.0	Q3
TCAN1472DRBRQ1	SON	DRB	8	3000	330.0	12.4	3.3	3.3	1.1	8.0	12.0	Q1
TCAN1472DRQ1	SOIC	D	8	3000	330.0	12.5	6.4	5.2	2.1	8.0	12.0	Q1
TCAN1472VDDFRQ1	SOT-23-THIN	DDF	8	3000	180.0	8.4	3.2	3.2	1.4	4.0	8.0	Q3
TCAN1472VDRBRQ1	SON	DRB	8	3000	330.0	12.4	3.3	3.3	1.1	8.0	12.0	Q1
TCAN1472VDRQ1	SOIC	D	8	3000	330.0	12.5	6.4	5.2	2.1	8.0	12.0	Q1

TAPE AND REEL BOX DIMENSIONS


*All dimensions are nominal

Device	Package Type	Package Drawing	Pins	SPQ	Length (mm)	Width (mm)	Height (mm)
TCAN1472DDFRQ1	SOT-23-THIN	DDF	8	3000	210.0	185.0	35.0
TCAN1472DRBRQ1	SON	DRB	8	3000	367.0	367.0	35.0
TCAN1472DRQ1	SOIC	D	8	3000	340.5	338.1	20.6
TCAN1472VDDFRQ1	SOT-23-THIN	DDF	8	3000	210.0	185.0	35.0
TCAN1472VDRBRQ1	SON	DRB	8	3000	367.0	367.0	35.0
TCAN1472VDRQ1	SOIC	D	8	3000	340.5	338.1	20.6

DRB 8

GENERIC PACKAGE VIEW

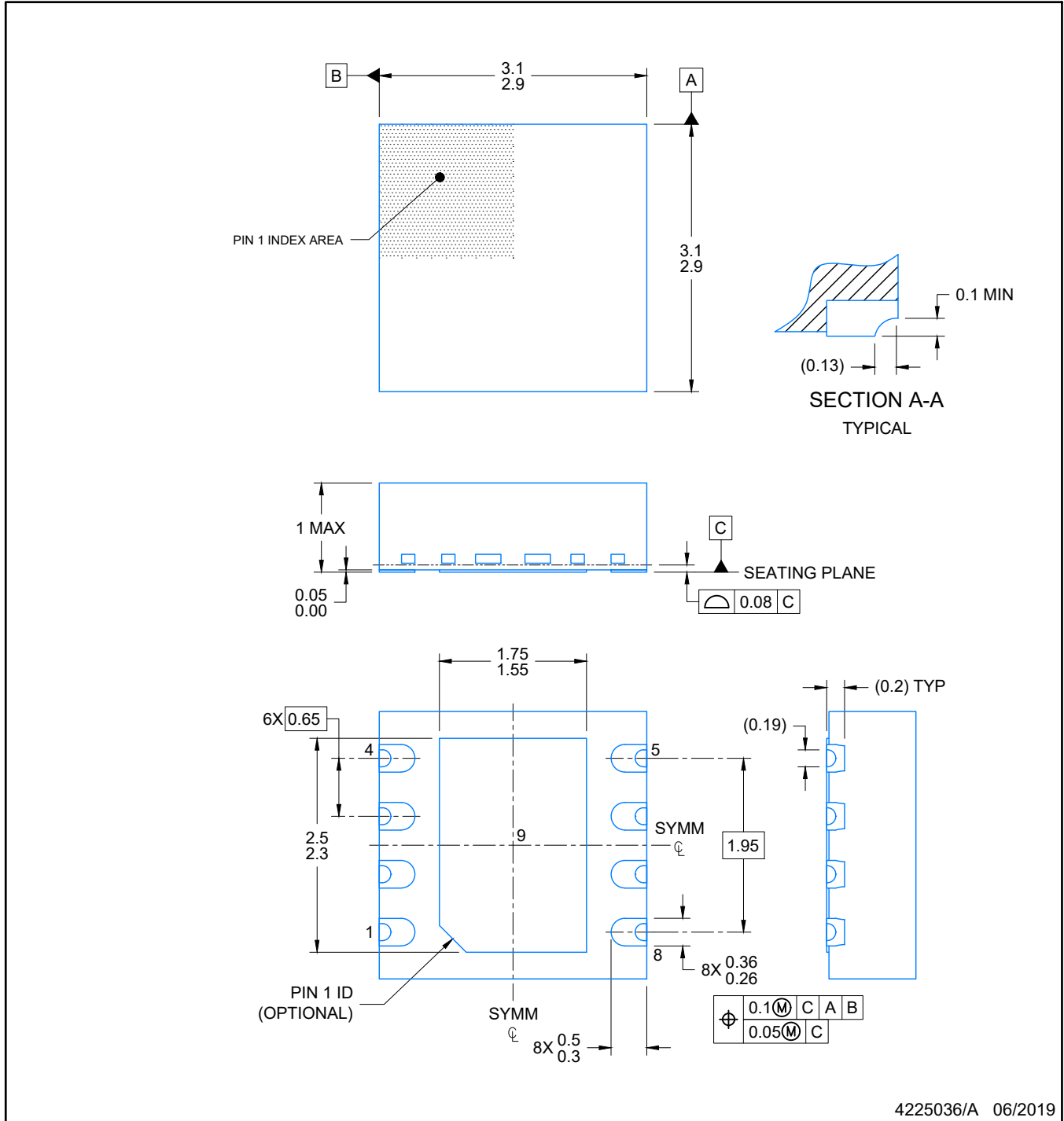
VSON - 1 mm max height

PLASTIC SMALL OUTLINE - NO LEAD



Images above are just a representation of the package family, actual package may vary.
Refer to the product data sheet for package details.

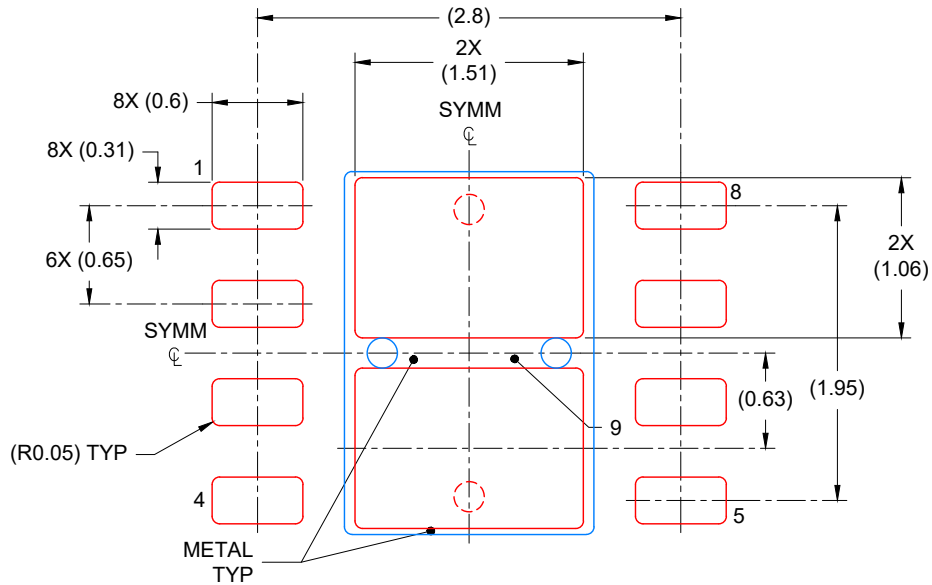
4203482/L



4225036/A 06/2019

NOTES:

1. All linear dimensions are in millimeters. Any dimensions in parenthesis are for reference only. Dimensioning and tolerancing per ASME Y14.5M.
2. This drawing is subject to change without notice.
3. The package thermal pad must be soldered to the printed circuit board for optimal thermal and mechanical performance.



SOLDER PASTE EXAMPLE
 BASED ON 0.125 mm THICK STENCIL

EXPOSED PAD
 81% PRINTED COVERAGE BY AREA
 SCALE: 20X

4225036/A 06/2019

NOTES: (continued)

6. Laser cutting apertures with trapezoidal walls and rounded corners may offer better paste release. IPC-7525 may have alternate design recommendations.

DDF0008A



PACKAGE OUTLINE

SOT-23-THIN - 1.1 mm max height

PLASTIC SMALL OUTLINE



4222047/E 07/2024

NOTES:

1. All linear dimensions are in millimeters. Any dimensions in parenthesis are for reference only. Dimensioning and tolerancing per ASME Y14.5M.
2. This drawing is subject to change without notice.
3. This dimension does not include mold flash, protrusions, or gate burrs. Mold flash, protrusions, or gate burrs shall not exceed 0.15 mm per side.

EXAMPLE BOARD LAYOUT

DDF0008A

SOT-23-THIN - 1.1 mm max height

PLASTIC SMALL OUTLINE



LAND PATTERN EXAMPLE
EXPOSED METAL SHOWN
SCALE:15X



SOLDER MASK DETAILS

4222047/E 07/2024

NOTES: (continued)

- 4. Publication IPC-7351 may have alternate designs.
- 5. Solder mask tolerances between and around signal pads can vary based on board fabrication site.

EXAMPLE STENCIL DESIGN

DDF0008A

SOT-23-THIN - 1.1 mm max height

PLASTIC SMALL OUTLINE



SOLDER PASTE EXAMPLE
BASED ON 0.125 mm THICK STENCIL
SCALE:15X

4222047/E 07/2024

NOTES: (continued)

6. Laser cutting apertures with trapezoidal walls and rounded corners may offer better paste release. IPC-7525 may have alternate design recommendations.
7. Board assembly site may have different recommendations for stencil design.



D0008A

PACKAGE OUTLINE

SOIC - 1.75 mm max height

SMALL OUTLINE INTEGRATED CIRCUIT



4214825/C 02/2019

NOTES:

- Linear dimensions are in inches [millimeters]. Dimensions in parenthesis are for reference only. Controlling dimensions are in inches. Dimensioning and tolerancing per ASME Y14.5M.
- This drawing is subject to change without notice.
- This dimension does not include mold flash, protrusions, or gate burrs. Mold flash, protrusions, or gate burrs shall not exceed $.006$ [0.15] per side.
- This dimension does not include interlead flash.
- Reference JEDEC registration MS-012, variation AA.

EXAMPLE BOARD LAYOUT

D0008A

SOIC - 1.75 mm max height

SMALL OUTLINE INTEGRATED CIRCUIT



LAND PATTERN EXAMPLE
EXPOSED METAL SHOWN
SCALE:8X



SOLDER MASK DETAILS

4214825/C 02/2019

NOTES: (continued)

6. Publication IPC-7351 may have alternate designs.

7. Solder mask tolerances between and around signal pads can vary based on board fabrication site.

EXAMPLE STENCIL DESIGN

D0008A

SOIC - 1.75 mm max height

SMALL OUTLINE INTEGRATED CIRCUIT



SOLDER PASTE EXAMPLE
BASED ON .005 INCH [0.125 MM] THICK STENCIL
SCALE:8X

4214825/C 02/2019

NOTES: (continued)

8. Laser cutting apertures with trapezoidal walls and rounded corners may offer better paste release. IPC-7525 may have alternate design recommendations.
9. Board assembly site may have different recommendations for stencil design.

IMPORTANT NOTICE AND DISCLAIMER

TI PROVIDES TECHNICAL AND RELIABILITY DATA (INCLUDING DATASHEETS), DESIGN RESOURCES (INCLUDING REFERENCE DESIGNS), APPLICATION OR OTHER DESIGN ADVICE, WEB TOOLS, SAFETY INFORMATION, AND OTHER RESOURCES "AS IS" AND WITH ALL FAULTS, AND DISCLAIMS ALL WARRANTIES, EXPRESS AND IMPLIED, INCLUDING WITHOUT LIMITATION ANY IMPLIED WARRANTIES OF MERCHANTABILITY, FITNESS FOR A PARTICULAR PURPOSE OR NON-INFRINGEMENT OF THIRD PARTY INTELLECTUAL PROPERTY RIGHTS.

These resources are intended for skilled developers designing with TI products. You are solely responsible for (1) selecting the appropriate TI products for your application, (2) designing, validating and testing your application, and (3) ensuring your application meets applicable standards, and any other safety, security, regulatory or other requirements.

These resources are subject to change without notice. TI grants you permission to use these resources only for development of an application that uses the TI products described in the resource. Other reproduction and display of these resources is prohibited. No license is granted to any other TI intellectual property right or to any third party intellectual property right. TI disclaims responsibility for, and you fully indemnify TI and its representatives against any claims, damages, costs, losses, and liabilities arising out of your use of these resources.

TI's products are provided subject to [TI's Terms of Sale](#), [TI's General Quality Guidelines](#), or other applicable terms available either on ti.com or provided in conjunction with such TI products. TI's provision of these resources does not expand or otherwise alter TI's applicable warranties or warranty disclaimers for TI products. Unless TI explicitly designates a product as custom or customer-specified, TI products are standard, catalog, general purpose devices.

TI objects to and rejects any additional or different terms you may propose.

Copyright © 2025, Texas Instruments Incorporated

Last updated 10/2025